



# 30 V Symmetric Dual MOSFETs in PowerPAIR® 3 x 3FS

## Best in Class Efficiency for DC/DC Converters

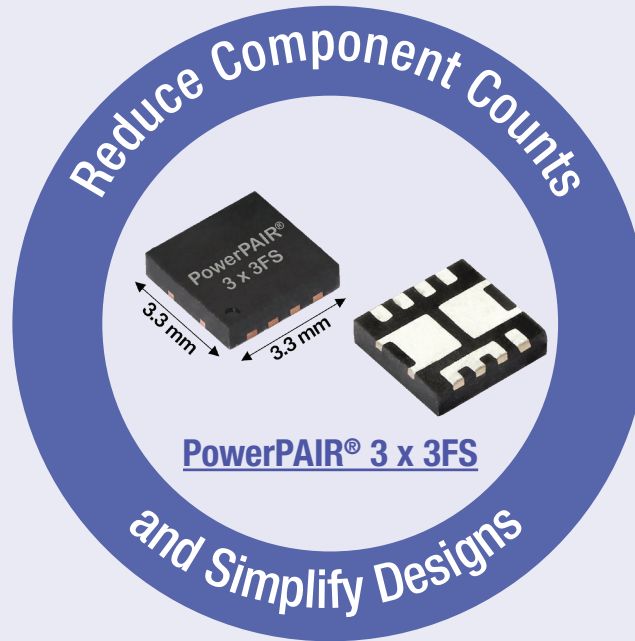
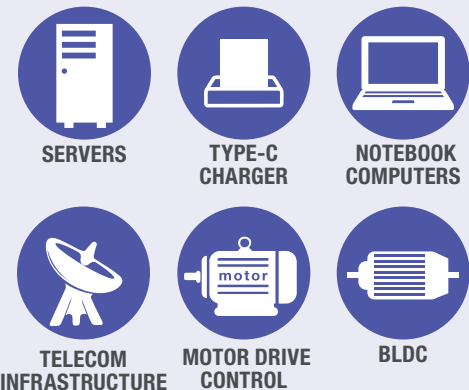
### KEY FEATURES

- Gen V MOSFETs integrated in a single 3.3 mm x 3.3 mm package
- Low  $R_{DS(on)}$  to 2.34 m $\Omega$
- Ultra low  $R_{DS} - Q_g$  FOM
- Efficiency of 97.6 % at 88 W for high frequency switching applications
- Flip-chip technology enhances thermal dissipation
- Optimal 50 % duty cycle design

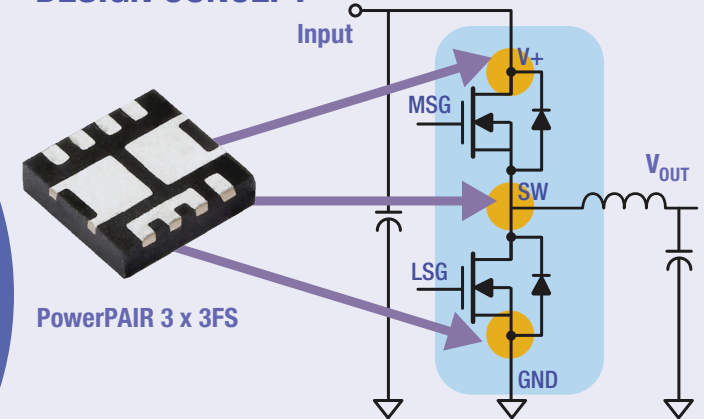
### CIRCUIT APPLICATIONS

- Synchronous buck DC/DC
- Buck-boost DC/DC
- Half-bridge topologies
- Point of load (POL) conversion

### END PRODUCTS

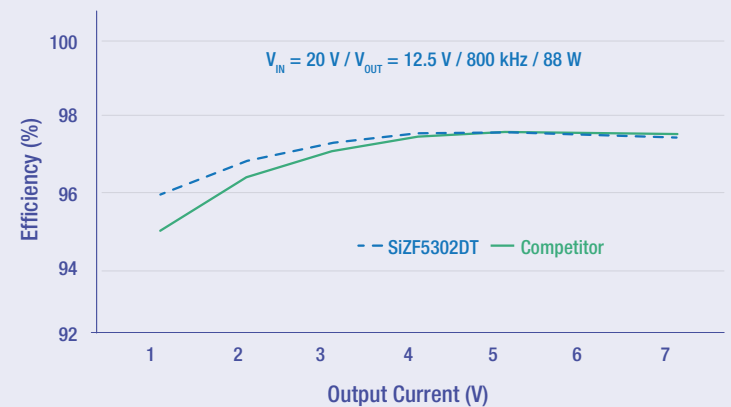


### DESIGN CONCEPT



### EFFICIENCY AND THERMAL PERFORMANCE

The high and low side MOSFETs of the SiZF5302DT form an optimized combination for 50 % duty cycles and best in class efficiency, in particular from 1 A to 4 A, making this device suitable for high switching frequencies and delivering high efficiency up to 97.6 %.



### COMPARISON TO PREVIOUS-GENERATION SOLUTION\*

Package size	63 %	↓
FOM channel	46 %	↓
Efficiency at 20 % load	7 %	↑
Efficiency at 100 % load	2 %	↑