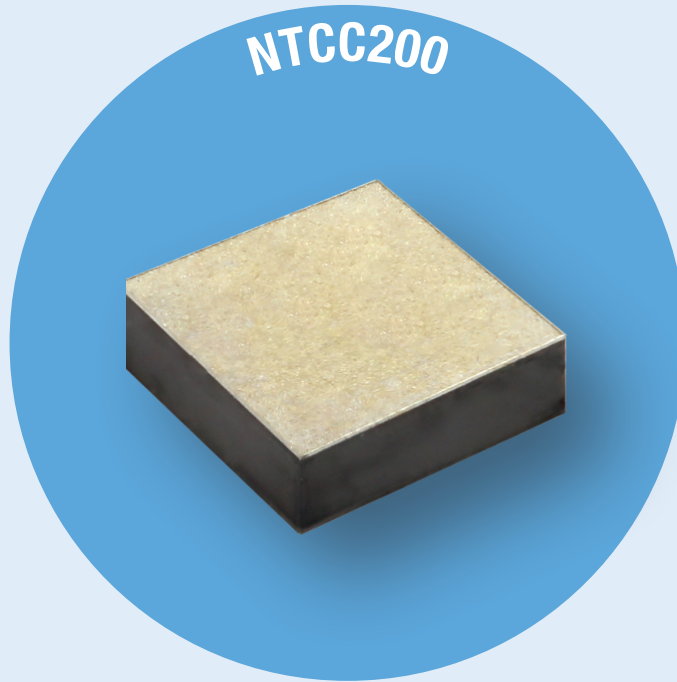
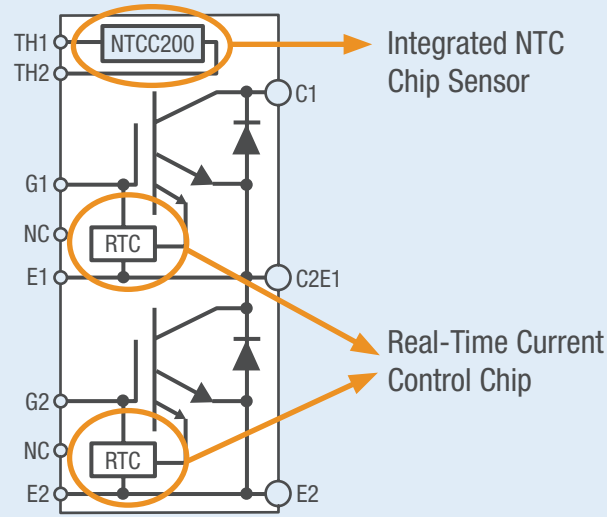




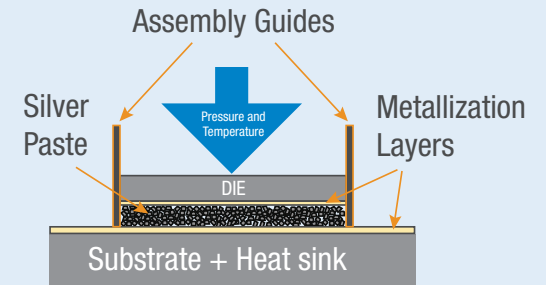
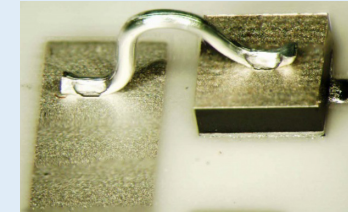
WIRE BONDABLE NTC THERMISTOR DIE

IN A NUTSHELL

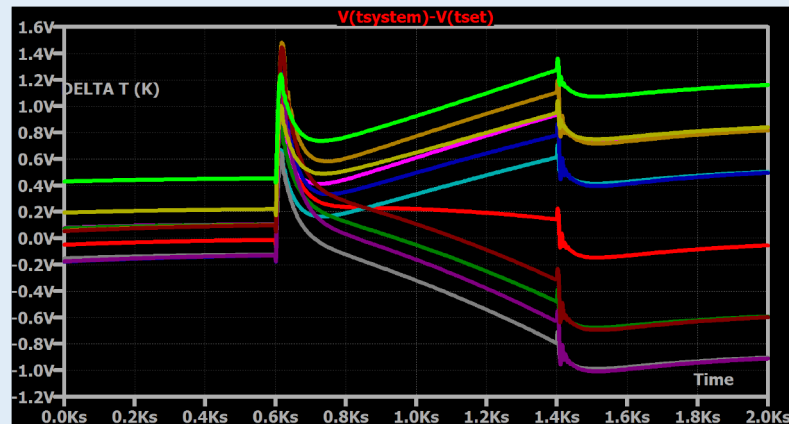
DESIGNED FOR IGBT MODULES



SUITABLE FOR WIRE BONDING AND NANO-SILVER PASTE SINTERING



TEMPERATURE SENSING AND REGULATION

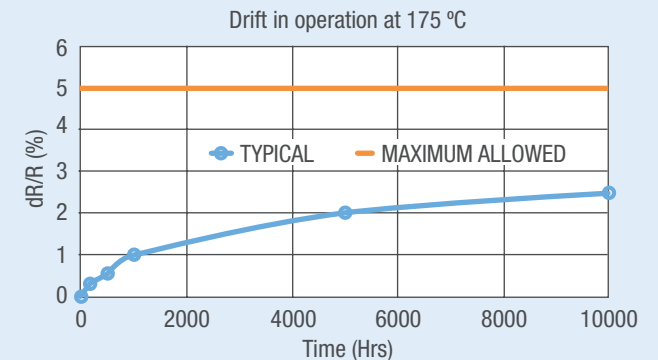


INDUSTRIES

Power modules for EVs and hybrid vehicles

Inverters for windmills and solar panels

ACCURATE / STABLE AT HIGH TEMPERATURE (175 °C)



For Technical Questions: nlr@vishay.com

© 2018 VISHAY INTERTECHNOLOGY, INC. ALL RIGHTS RESERVED.