



HVAC LINE FREQUENCY CAPACITORS

ALL-FILM / SELF-HEALING TECHNOLOGY

ELECTRICAL RATINGS PER UNIT

- Frequency 50 Hz or 60 Hz
- Voltage 200 V to 3000 V
- Output 10 kVAR to 800 kVAR
- Capacitance tolerance -5 % / +5 %

CONNECTION

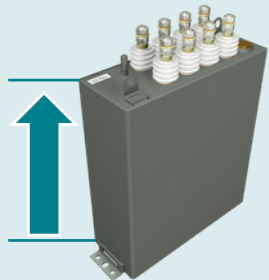
- Porcelain screw type
- M12 or M20
- 20 Nm or 40 Nm maximum torque
- 350 A maximum current per terminal

STANDARDS

IEC CEI 60110-1

FORMS OF CONSTRUCTION

HEIGHT

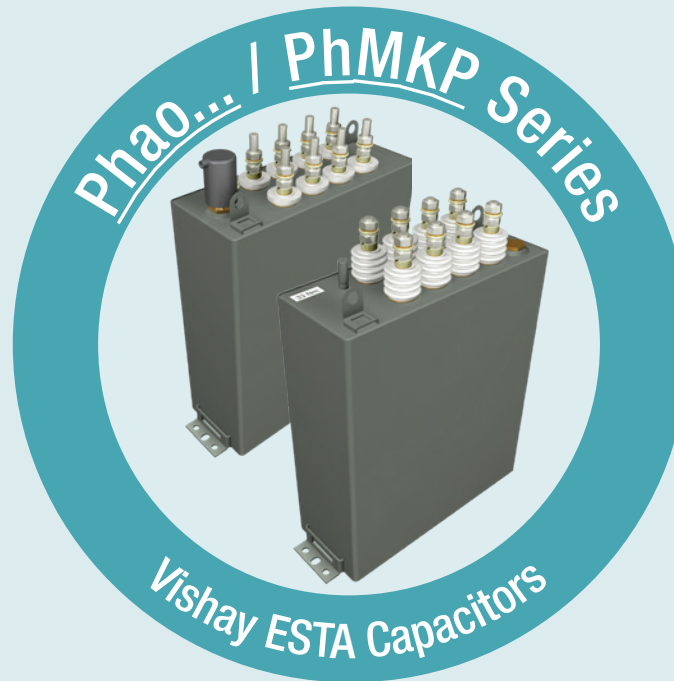
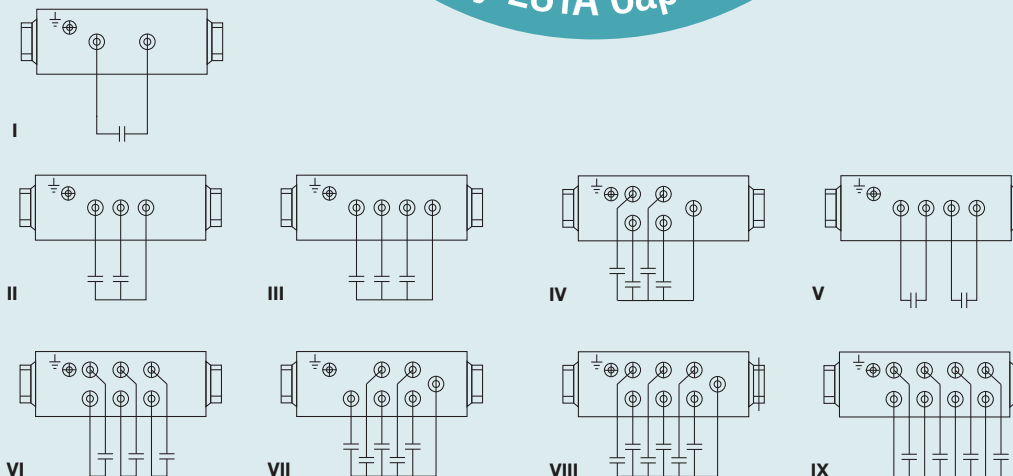


max. 1200 mm

FOOTPRINT in mm

	175
Width	130
Length	345

CIRCUITRY VERSIONS



TEMPERATURE RANGE

- Lowest temperatures -25 °C, -5 °C, +5 °C
- Maximum ambient air temperature +40 °C, +45 °C, other temperatures on request



SAFETY FEATURES

- Internal fuses
- Self-healing
- Pressure monitoring device



FILLING AGENT

- Synthetic oil (non-PCB)
- Resin (dry)



CASING

- Stainless steel
- Customizable



FINISH

- Two-component agent on acryl basis



APPLICATIONS



FORGING



MELTING