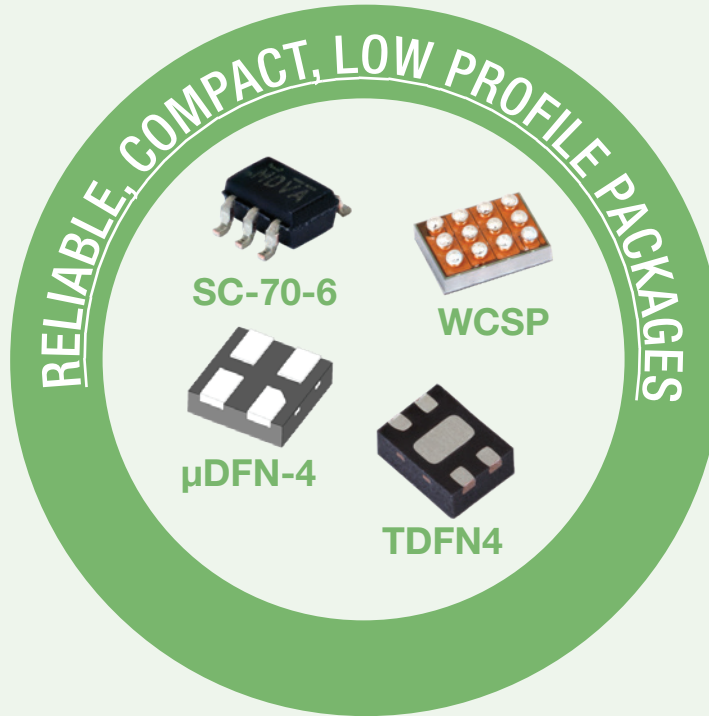
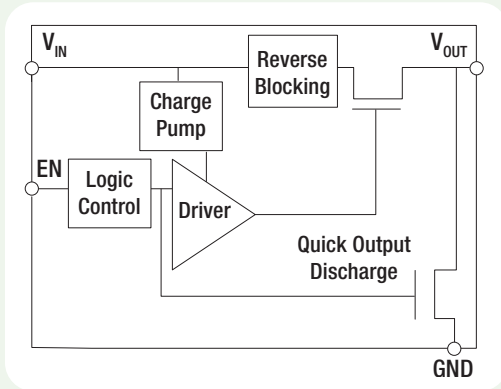




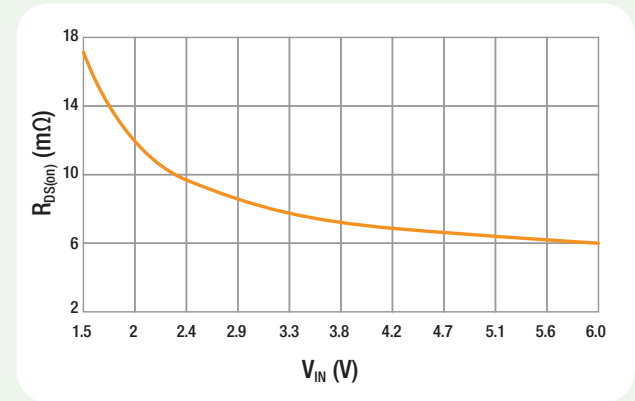
SLEW RATE SMART LOAD SWITCHES

FOR MEDICAL, INDUSTRIAL, IoT, AND PORTABLE

BLOCK DIAGRAM



$R_{DS(on)}$ vs INPUT VOLTAGE



APPLICATIONS



MEDICAL



INTERNET OF THINGS



SMART METERS



INDUSTRIAL CONTROL



SMART HOME



WIRELESS SENSORS AND TAGS

LOAD SWITCH ADVANTAGES

WIDE INPUT VOLTAGE RANGE DOWN TO 0.8 V

ULTRA LOW SHUTDOWN AND QUIESCENT CURRENT OF 10 pA TYPICAL

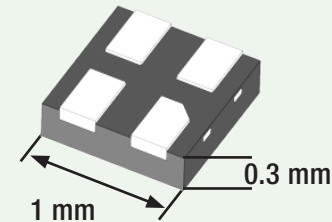
LOW RESISTANCE, COMPACT BIDIRECTIONAL SWITCH, 6.5 mΩ

ULTRA-THIN μDFN PLASTIC PACKAGE WITH 0.3 mm HEIGHT PROFILE

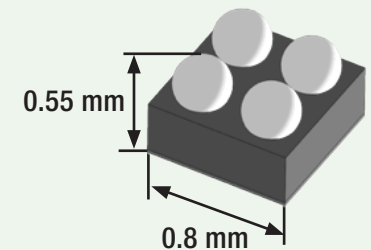
PACKAGE COMPARISON

More robust than chipscale packages, the μDFN-4 provides improved reliability and ease of handling in a comparable footprint with a lower height profile

μDFN-4



WCSP4



powerictechsupport@vishay.com

© 2020 VISHAY INTERTECHNOLOGY, INC. ALL RIGHTS RESERVED.

IG16892123-2010