



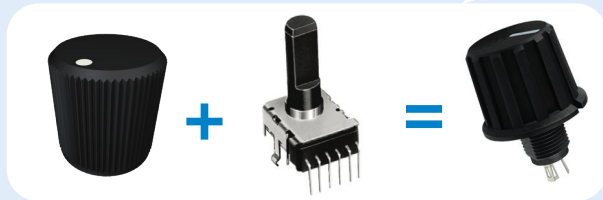
PANEL POTENTIOMETER

With Integrated Knob

ADVANTAGE 1: INTEGRATION

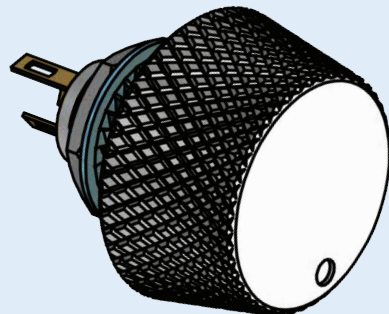
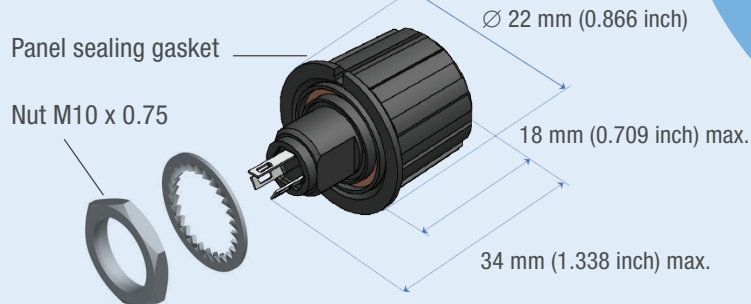
Integrated knob eliminates need to assemble two parts and improves ergonomics

2 in 1

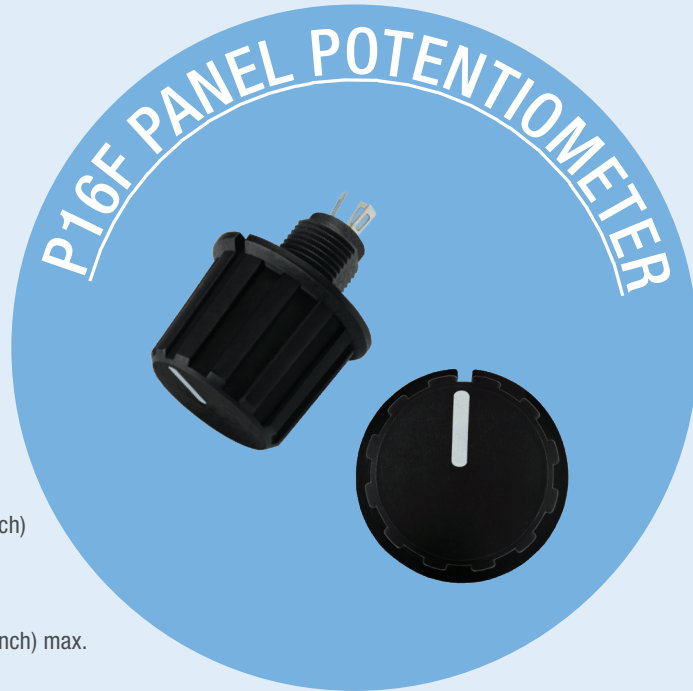


ADVANTAGE 2: SPACE OPTIMIZATION

Very small overall dimensions



Example of custom metallic knob shape



AVAILABLE CUSTOM FEATURES

- Custom knob upon request: color, marking, and knob shape in metallic version
- Available taper: linear, logarithmic, and reverse log
- Clearance required behind panel is extremely limited
- Model sealed per IP67
- Cable harness and connector upon request
- Knob material: plastic
- High dielectric strength: 5000 V_{AC}

APPLICATIONS



ALL DESIGNS AVAILABLE

P	16F	Cermet track for industrial markets
	A16F	Conductive plastic for audio applications
	16F RSD	P16F + a rotary switch
	16F CV1D	PA16F + a detent in CCW position