



3.5 A AND 6 A eFUSE SWITCHES

PROGRAMMABLE CURRENT LIMITS AND OVP ENHANCE DESIGN RELIABILITY

KEY SPECIFICATIONS

2.8 V to 22 V Operating input voltage range

28 V max. DC tolerance on V_{IN}

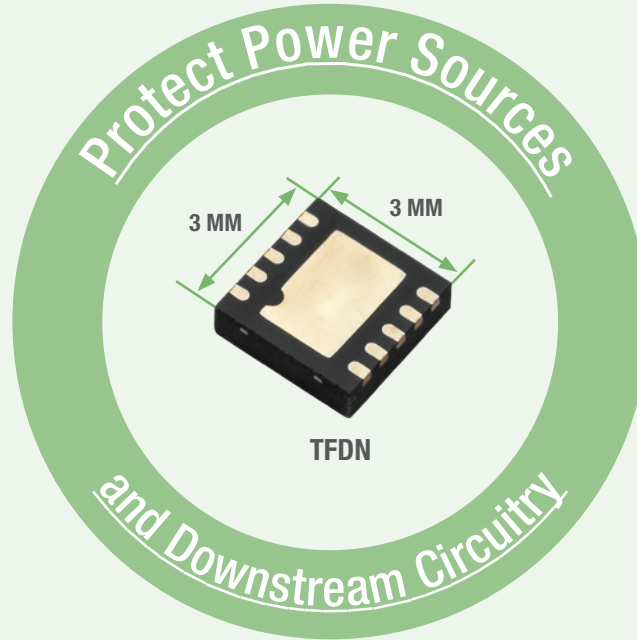
On-resistance down to 33 m Ω

Programmable current limit 0.3 A to 6 A

2 kV (human body model) and 0.75 kV (charged device model) ESD tolerance

-40 °C to +125 °C operating temp range

IEC82368-1 2018, CB certified



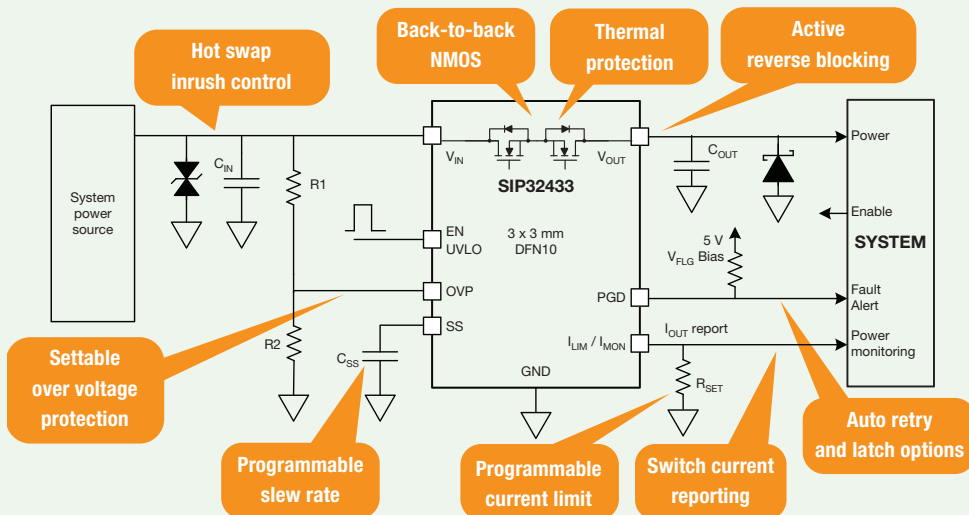
ADVANTAGES

- Adjustable UVLO and OVP (Internal 24V OVP/max at V_{IN})
- OTP and 250 ns SCP response
- Guaranteed current limit accuracy within $\pm 8\%$
- Programmable turn-on slew rate
- Hot-swappable

OPTIONS

Part Number	Max Current (A)	OCP Response	$R_{DS(on)}$ (m Ω)	Active Reverse Current Blocking
SIP32433ADN-T1E4	3.5	Latch	78	Yes
SIP32433ADN-T1E4		Auto-Retry		
SIP32434ADN-T1E4	6	Latch	33	No
SIP32434BDN-T1E4		Auto-Retry		

TYPICAL CIRCUIT



APPLICATIONS

