

## ESTAdry D-Type Capacitor



### KEY BENEFITS

- Smallest available height for 50 kvar units: 210 mm (+ 68 mm for terminals)
- Excellent heat dissipation
- Screw-on terminal with M10 bolts
- Resin filling provides thermal conductivity similar to that of oil-filled capacitors
- Aluminum case is welded and hermetically sealed

### APPLICATIONS

- Recommended for power factor correction and filters in low-voltage applications  $\leq 1000$  V

### RESOURCES

- Datasheet: PhMKDg - [www.vishay.com/doc?13007](http://www.vishay.com/doc?13007)
- For technical questions contact [esta@vishay.com](mailto:esta@vishay.com)

### ESTAdry D-Type Capacitor



#### FEATURES

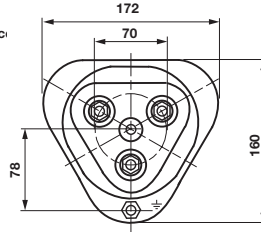
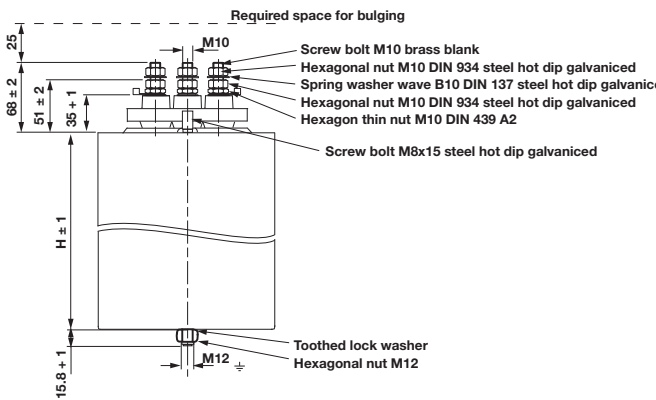
- Self-healing technology
- Over pressure tear-off fuse
- Smallest available height for 50 kvar units: 210 mm (+ 68 mm for terminals)
- Excellent heat dissipation
- Screw-on terminal with M10 bolts
- Resin filling provides thermal conductivity similar to that of oil-filled capacitors
- Aluminum case is welded and hermetically sealed
- No paint required for OUTDOOR applications
- UL and cUL approved

#### APPLICATIONS

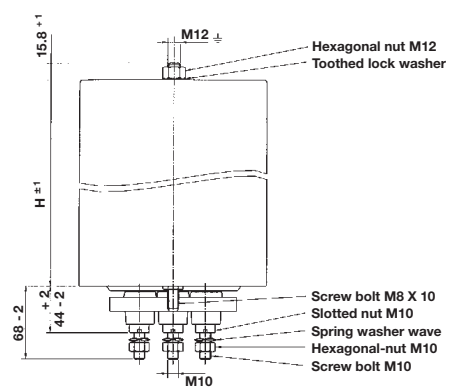
- Areas with dust and moisture, which require a high degree of protection and high creepage distances. Also for OUTDOOR applications
- Free-standing, fixed individual PFC (e.g. motors, lighting, transformers)
- Automatic central PFC (e.g. group of loads)
- Harmonic trap (e.g. UPS, frequency drives, converter)
- Pole - mounted PFC

QUICK REFERENCE DATA		
Series	PhMKDg..., triangular	PhMKDgF..., triangular
Description	ESTAdry D-type, LVAC power capacitors - dry - <b>INDOOR</b> , IP00	ESTAdry D-type, LVAC power capacitors - dry - <b>OUTDOOR</b> , IP00
Type	Capacitors, fixed, low voltage	Capacitors, fixed, low voltage
Technology	MKP, metallized polypropylene film	MKP, metallized polypropylene film
Voltage max. (V)	1000	1000
Capacitance min. (µF)	3-phase D: 3 x 115.5, 3-phase Y: 3 x 140.1	3-phase D: 3 x 115.5, 3-phase Y: 3 x 140.1
Capacitance max. (µF)	3-phase D: 3 x 331.6, 3-phase Y: 3 x 334.3	3-phase D: 3 x 331.6, 3-phase Y: 3 x 334.3
Output min. (kvar)	30	30
Output max. (kvar)	56.2	56.2

#### DIMENSIONS, INDOOR



#### DIMENSIONS, OUTDOOR



#### 3-PHASE CAPACITORS IN TRIANGULAR CASING, INDOOR

Revision 27-Jan-16

TYPE	ARTICLE NO. (1)	RATED VOLTAGE V	RATED OUTPUT kvar	CAPACITANCE µF	CURRENT A (50 Hz)	WEIGHT kg	HEIGHT H mm
PhMKDg400.3.50,00-K	5345-44814-xx	400	50	3 x 331.6 Δ	72.2	4.0	210
PhMKDg440.3.50,00-K	5345-44804-xx	440	50	3 x 274.0 Δ	65.6	4.0	210
PhMKDg440.3.56,20-K	5345-44805-xx	440 / 415	56.2 / 50	3 x 308.0 Δ	73.7 / 69.6	4.0	210
PhMKDg460.3.50,00-K	5345-44803-xx	460	50	3 x 250.7 Δ	62.8	4.0	210
PhMKDg525.3.50,00-K	5345-44824-xx	525	50	3 x 192.5 Δ	55.0	4.0	210
PhMKDg690.2.50,00-K	5345-44807-xx	690	50	3 x 334.3 Y	41.8	4.0	210
PhMKDg760.2.50,00-K	5345-44808-xx	760	50	3 x 275.5 Y	38.0	4.0	210