

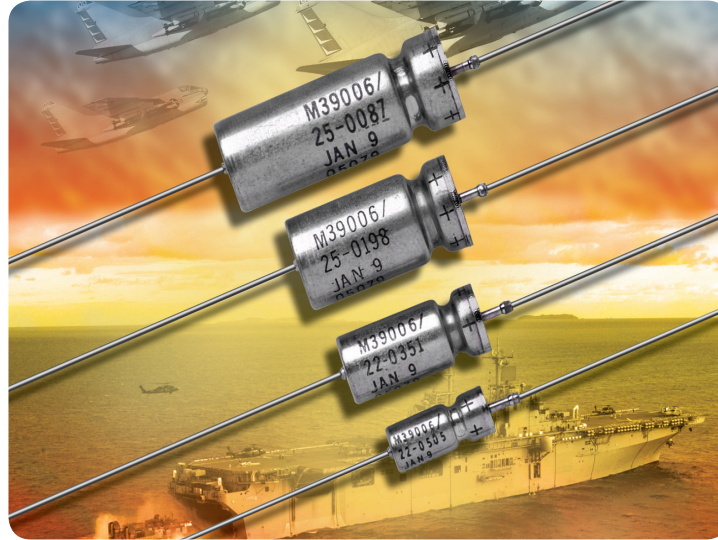


TANTALUM CAPACITORS

M39006 Series



MIL-PRF-39006 Qualified Styles CLR65, 69, 79, 81, 90, 91



KEY BENEFITS

- Available in 6 MIL-PRF-39006-qualified styles
- High reliability in extreme conditions
- Rated for operation at 11 working voltages: between 6 WVDC and 125 WVDC
- Wide temperature range: – 55 °C to + 85 °C (up to 125 °C with voltage derating)
- Hermetically sealed
- Available in high vibration (80 g) and shock (500 g) designs

APPLICATIONS

- Aerospace, ground support, missiles, “down-hole” oil exploration, power supplies

CIRCUIT FUNCTIONS

- Energy storage, voltage hold-up, filtering

RESOURCES

- Datasheet: <http://www.vishay.com/doc?40022>
- Wet tantalum capacitor product portfolio: <http://www.vishay.com/capacitors/tantalum/tantalum-wet/>
- FIT calculator: <http://www.vishay.com/capacitors/tantalum/capacitors/tantalum/tantalum-wet/tantalum-reliability-calculator-list/>
- Technical support: tantalum@vishay.com
- Sales Contacts: <http://www.vishay.com/doc?99914>

Capacitors - 6 MIL-PRF-39006-Qualified Styles

One of the World's Largest Manufacturers of
Discrete Semiconductors and Passive Components

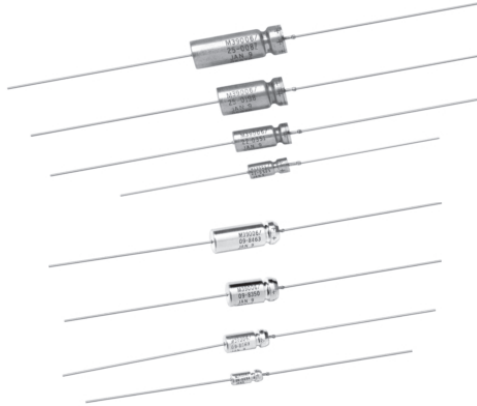


TANTALUM CAPACITORS

M39006 Series



Wet Tantalum Capacitors, Military Established Reliability, MIL-PRF-39006 Qualified Styles CLR65, 69, 79, 81, 90, 91



FEATURES

- Hermetically sealed.
- Metal cased.
- Axial lead.
- Tubular.

SPECIFICATIONS

Style CLR65, M39006/09

Style CLR69, M39006/21

Style CLR79, M39006/22

Style CLR81, M39006/25

Style CLR90, M39006/30

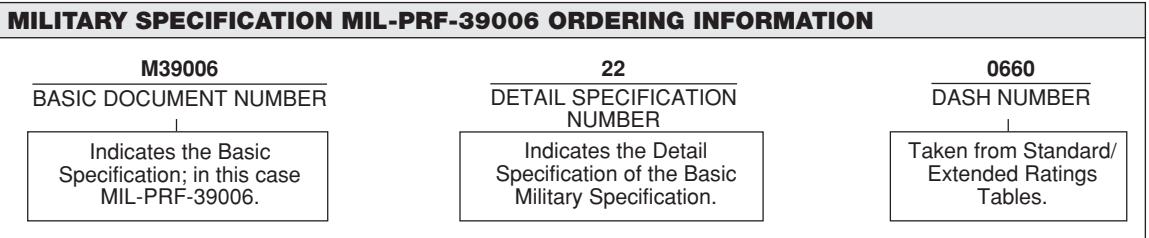
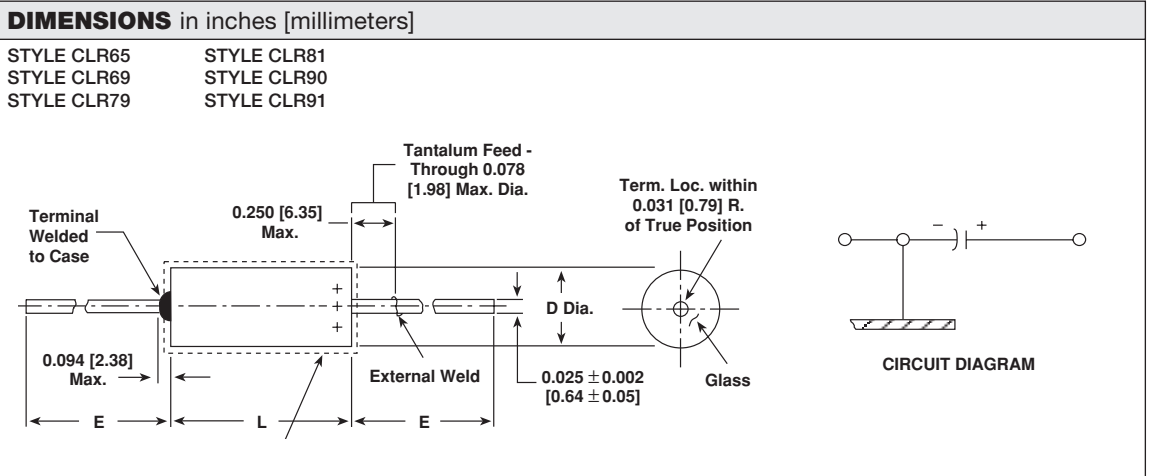
Style CLR91, M39006/31

Established Reliability Tantalum Capacitors to Military Specification MIL-PRF-39006: In accordance with the Military Specification, MIL-PRF-39006 all capacitors are marked with the Military Part Number (M39006/xx-xxxx) rather than the older Style designation (CLRxxxxxxx) and should be ordered as such.

For information on the performance characteristics of these capacitors, please refer to the latest issue of the Military Specification. MIL-PRF-39006 establishes 1000 hour

failure rate levels of 2%, 1%, 0.1%, and 0.01%. When ordering these parts, care must be exercised that the correct part number expressing the appropriate failure level be specified.

Each order for Military Style capacitors requiring government inspection must state whether inspection is to be at the destination or at the Vishay Sprague plant. Orders requiring source inspection cannot be shipped until this has been accomplished.



Revision 13-Oct-03

Note: The material in this section has been abstracted from MIL-PRF-39006/09/21/22/25/30/31.

Capacitors - 6 MIL-PRF-39006-Qualified Styles