



The DNA of tech.®

AC, AC-AT—Cemented Axial Leaded Wirewound Resistors Now Available With Pick and Place Friendly Lead Bending Option to Help Reduce Assembly Costs



ADVANTAGE

The surface-mount option enables you to skip an additional assembly step for leaded resistors, thus resulting in a reduced cycle time and lower cost of production.

KEY PRODUCT FEATURES

- ✓ Available in pick and place, machine-friendly WSZ lead form
- ✓ Suitable for harsh environmental conditions: rated power P_{40} of 5 W with an operating temperature range of $-55\text{ }^{\circ}\text{C}$ to $+250\text{ }^{\circ}\text{C}$
- ✓ High pulse handling capability for single / repetitive pulses



MARKETS AND APPLICATIONS



MOBILITY

- Automotive — conventional electronics and controls
- Automotive electrification
- Micro mobility



ENERGY SECTOR

- Energy distribution and management
- Metering



INDUSTRIAL

- Industrial automation
- Industrial drives and tools
- Industrial infrastructure

ADDITIONAL BENEFITS

- Ease of PCB mounting for AEC Q-200 qualified, high power / high pulse handling wirewound resistor due to SMD design (Z-form leads)
- Non-inductive, AC-NI version available for fast switching circuits such as RC networks in snubber circuits
- Robust, non-flammable silicone cement coating that conforms to UL 94 V-0

RESOURCES



[Order Samples](#)



[Product Page](#)

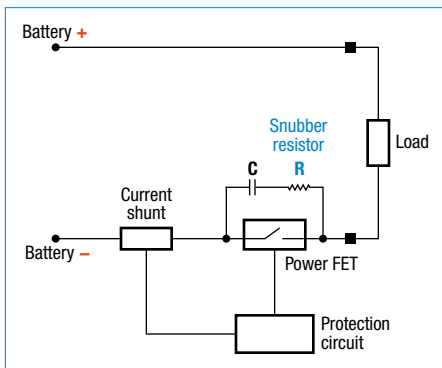


[Contact Us](#)

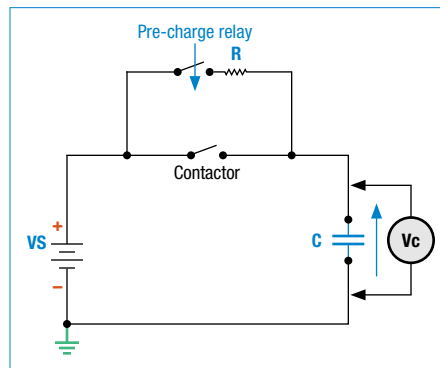
SIMULATION SUPPORT

- Vishay simulation support for:
 - Pulse handling: single / continuous / complex pulse train
 - Thermal modelling: temperature rise at resistive wire / resistor body / solder joint

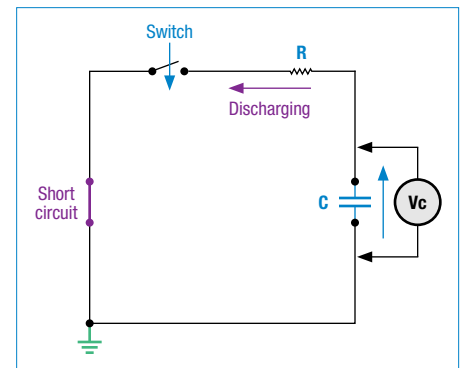
TYPICAL AUTOMOTIVE (EV) APPLICATIONS



eFuse: snubber resistor in xEV

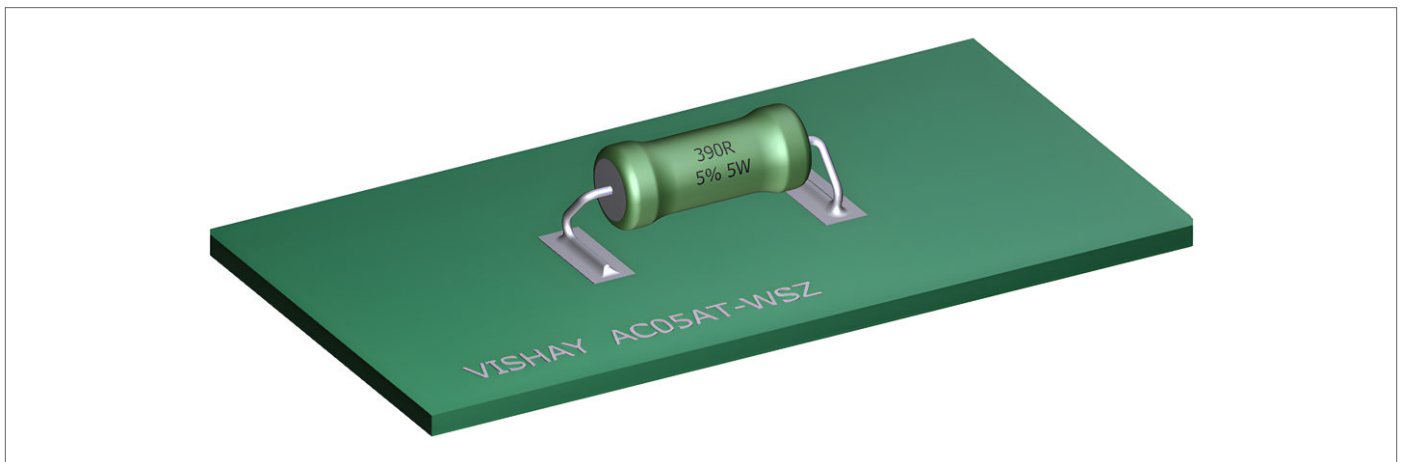


Pre-charge circuit



Discharge circuit

MOUNTING EXAMPLE



If you are looking for cemented axial leaded wirewound resistors with a pick and place friendly lead bending option, please [contact us](#) to [purchase](#) or [order samples](#).