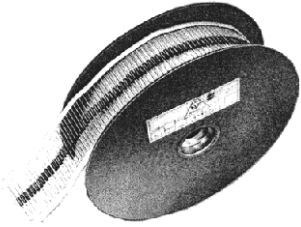
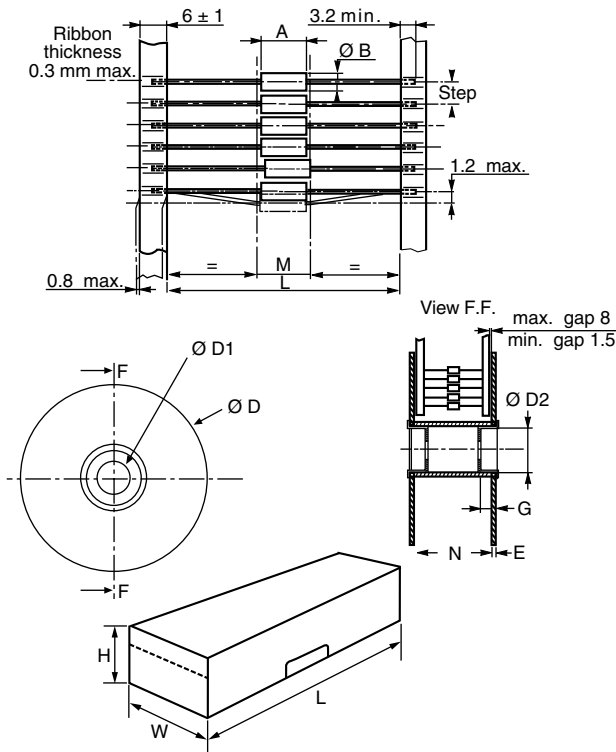


## Tape and Reel Packaging for Automatic Insertion Wirewound Resistors



- Tape and reel according to IEC 60286-1 and EIA296

### TAPE AND REEL PACKAGING



### DIMENSIONS in millimeters

SERIES		Ø B	A	M	STEP ± 0.3	L ± 1.5
Semi Precision	RLP 1 RMBS 0.5 RMB 0.75	2.5 ± 0.1	6.5 ± 0.1	A + 1.4	5	53
	RLP 2 RMBS 1 RMB 1.5	3.6 ± 0.1	10.2 ± 0.1	A + 1.4	5	53
	RLP 3 RMBS 2 RMB 3	5.5 ± 0.1 6 ± 0.1	14 ± 0.1 16 ± 0.1	A + 1.4	10	63
Enamelled	RWM 4 x 10	5.5 ± 1	12 ± 1	A + 1.4	10	63
	RWM 4 x 22	5.5 ± 1	22.1 ± 1	A + 1.4	10	73
	RWM 5 x 26/ RWM 8 x 26	7.4 ± 1.5	24.7 ± 1.5	A + 1.4	10	73
	RWM 6 x 22	6.5 ± 1	18 ± 1	A + 1.4	10	63

SERIES	MAX. LENGTH OF PIECES	QUANTITY OF PIECES	Ø D	E	N	Ø D1	Ø D2	G
RLP 1 RLP 2 RMB 0.5 RMB 0.75 RMB 1.5 RMBS 1	65	1000	175	4	70	19	42	14
RLP 3 RMB 3 RMBS 2	73		280	6	92			
RWM 4 x 10 RWM 6 x 22	73				80			
RWM 4 x 22 RWM 5 x 26 RWM 8 x 26	85	1500 1250 5000 3000	325	5	92	19	42	14
SG3 SG4/BSI68 BSI58 BSI63								

### PACKAGING CHARACTERISTICS

- Tolerance on quantity: ± 1 %
- Number of empty spaces on tape: < 0.25 %
- Two empty spaces running maximum followed by 6 components are tolerated
- Tolerance on 10 steps: ± 1 mm
- Length of the ribbon at beginning and end of tape: 300 mm
- The thickness of the ribbon can be 4 times the usual ribbon thickness, that is 1.2 mm max.
- Components resistance to pull action: ≥ 5 N, ribbons tensile strength: ≥ 50 N (axial strength)
- When tape and reel packaging, a protecting sheet of paper is placed in-between the component layers

### LABELING

2D label with: Vishay trademark, material description, P/N Vishay, total quantity, quantity per manufacturing date, batch number.  
On IECQ-CECC approved components: Label with CECC reference and stamped control lot number.

AMMO-PACK PACKAGING				
SERIES	DIMENSIONS EXT.			QUANTITY OF PIECES
	W	L	H	
RLP 1 - RMB 0.75 - RMBS 0.5 RLP 2 - RMB 1.5 - RMBS 1	94	315	43	500
RWM 4 x 10	77	315	45	500
RWM 4 x 22	87	315	38	500
RWM 5 x 26/RWM 8 x 26				500
RWM 6 x 22	77	315	45	250
BSI58				2000
BSI63				1000
BSI68				400