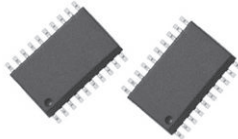


## Molded, 50 mil Pitch, Dual In-Line Thin Film Resistor, Surface Mount Network



Actual Size

### FEATURES

- Rugged, molded case construction
- Reduces total assembly costs
- Saves board space
- Compatible with surface mounting equipment
- Uniform performance characteristics
- Compliant to RoHS Directive 2002/95/EC
- Halogen-free according to IEC 61249-2-21 definition



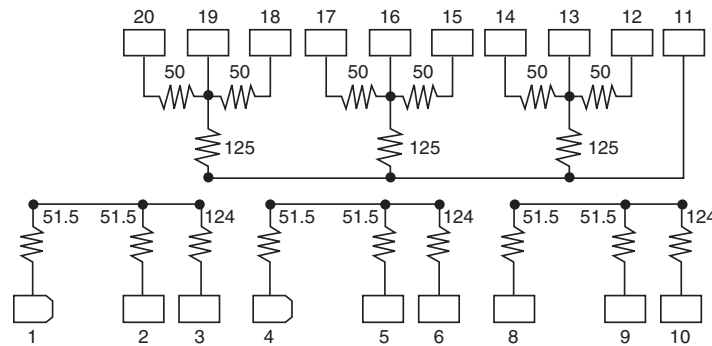
**RoHS**  
COMPLIANT  
HALOGEN  
**FREE**

### TYPICAL PERFORMANCE

	ABSOLUTE	TRACKING
<b>TCR</b>	<b>100</b>	<b>10</b>
	ABSOLUTE	RATIO
<b>TOL.</b>	<b>1, 2</b>	<b>0.5</b>

V.35 termination network used to insure signal integrity between transmitter and receiver sections of V.35 protocol.

### SCHEMATIC



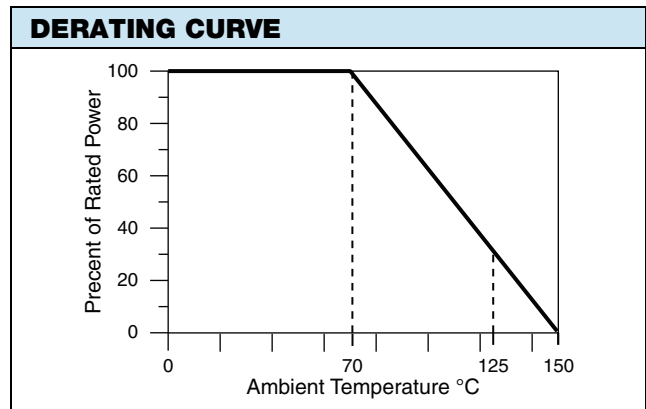
### Notes

- Pad 7 does not exist
- PIN 7 is an open circuit

STANDARD ELECTRICAL SPECIFICATIONS		
TEST	SPECIFICATIONS	CONDITIONS
Material	Tantalum nitride	-
Pin/Lead Number	20	-
Resistance Range	50 $\Omega$ to 125 $\Omega$	-
TCR: Absolute	$\pm 100$ ppm/ $^{\circ}$ C	- 55 $^{\circ}$ C to + 125 $^{\circ}$ C
TCR: Tracking	$\pm 10$ ppm/ $^{\circ}$ C	- 55 $^{\circ}$ C to + 125 $^{\circ}$ C
Tolerance: Absolute	$\pm 1$ %, $\pm 2$ %	$\pm 1$ %: 51.5 $\Omega$ and 124 $\Omega$ $\pm 2$ %: 50.0 $\Omega$ and 125 $\Omega$
Tolerance: Ratio	0.5 %	-
Power Rating: Resistor	-	-
Power Rating: Package	1.6 W	- 55 $^{\circ}$ C to + 125 $^{\circ}$ C
Stability: Absolute	-	-
Stability: Ratio	-	-
Voltage Coefficient	-	-
Working Voltage	-	-
Operating Temperature Range	- 55 $^{\circ}$ C to + 125 $^{\circ}$ C	-
Storage Temperature Range	- 55 $^{\circ}$ C to + 150 $^{\circ}$ C	-
Noise	-	-
Thermal EMF	-	-
Shelf Life Stability: Absolute	-	-
Shelf Life Stability: Ratio	-	-

DIMENSIONS AND IMPRINTING in inches and millimeters			
	DIMENSION	INCHES	MILLIMETERS
	A	0.500 ± 0.010	12.7 ± 0.25
	B (Ref.)	0.050	1.27
	C (Ref.)	0.016	0.41
	D	0.008	0.20
	E (Typ.)	0.030	0.75
	F	0.293 ± 0.003	7.44 ± 0.08
	G	0.025 x 45°	0.64 x 45°
	H	0.406 ± 0.005	10.31 ± 0.13
	J (Ref.)	0.010	0.25
W	0.100 ± 0.005	1.54 ± 0.13	

MECHANICAL SPECIFICATIONS	
Resistive Material	Tantalum nitride
Substrate Material	Silicon
Body	Molded epoxy
Terminals	Copper alloy
Plating	Tin lead solder
Lead coplanarity	0.0005"
Marking Resistance to Solvents	Permanency testing per MIL-STD-202, method 215
Lead (Pb)-free	100 % matte tin Plated



### GLOBAL PART NUMBER INFORMATION

New Global Part Numbering: VSOR2000S1T1

V	S	O	R	2	0	0	0	S	1	T	F
---	---	---	---	---	---	---	---	---	---	---	---

GLOBAL MODEL

**VSOR2000S1**

PACKAGING

TAPE AND REEL  
TF = Full reel 2500

UF = TUBED

Historical Part Number example: VSOR2000S1T/R (for reference purposes only)

VSOR 2000S1	T/R
MODEL# VALUE	PACKAGING



## Disclaimer

ALL PRODUCT, PRODUCT SPECIFICATIONS AND DATA ARE SUBJECT TO CHANGE WITHOUT NOTICE TO IMPROVE RELIABILITY, FUNCTION OR DESIGN OR OTHERWISE.

Vishay Intertechnology, Inc., its affiliates, agents, and employees, and all persons acting on its or their behalf (collectively, "Vishay"), disclaim any and all liability for any errors, inaccuracies or incompleteness contained in any datasheet or in any other disclosure relating to any product.

Vishay makes no warranty, representation or guarantee regarding the suitability of the products for any particular purpose or the continuing production of any product. To the maximum extent permitted by applicable law, Vishay disclaims (i) any and all liability arising out of the application or use of any product, (ii) any and all liability, including without limitation special, consequential or incidental damages, and (iii) any and all implied warranties, including warranties of fitness for particular purpose, non-infringement and merchantability.

Statements regarding the suitability of products for certain types of applications are based on Vishay's knowledge of typical requirements that are often placed on Vishay products in generic applications. Such statements are not binding statements about the suitability of products for a particular application. It is the customer's responsibility to validate that a particular product with the properties described in the product specification is suitable for use in a particular application. Parameters provided in datasheets and / or specifications may vary in different applications and performance may vary over time. All operating parameters, including typical parameters, must be validated for each customer application by the customer's technical experts. Product specifications do not expand or otherwise modify Vishay's terms and conditions of purchase, including but not limited to the warranty expressed therein.

Hyperlinks included in this datasheet may direct users to third-party websites. These links are provided as a convenience and for informational purposes only. Inclusion of these hyperlinks does not constitute an endorsement or an approval by Vishay of any of the products, services or opinions of the corporation, organization or individual associated with the third-party website. Vishay disclaims any and all liability and bears no responsibility for the accuracy, legality or content of the third-party website or for that of subsequent links.

Except as expressly indicated in writing, Vishay products are not designed for use in medical, life-saving, or life-sustaining applications or for any other application in which the failure of the Vishay product could result in personal injury or death. Customers using or selling Vishay products not expressly indicated for use in such applications do so at their own risk. Please contact authorized Vishay personnel to obtain written terms and conditions regarding products designed for such applications.

No license, express or implied, by estoppel or otherwise, to any intellectual property rights is granted by this document or by any conduct of Vishay. Product names and markings noted herein may be trademarks of their respective owners.