



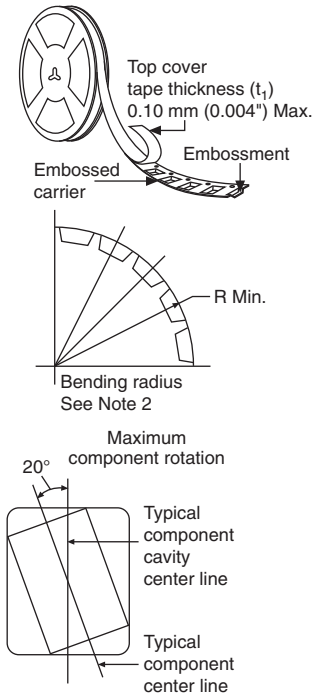
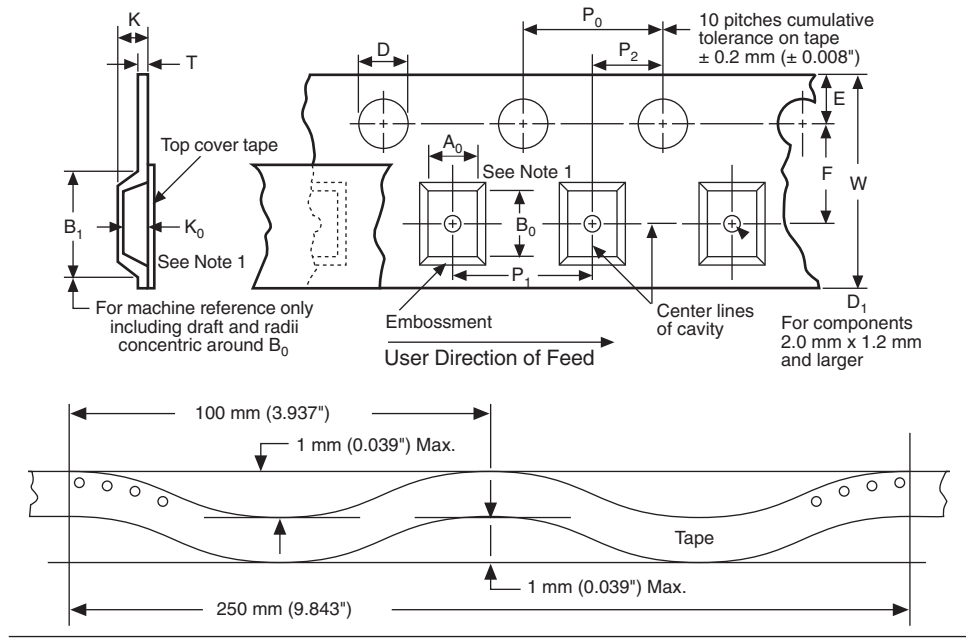
8 mm, 12 mm, 16 mm, and 24 mm Embossed Conductive Tape Conforming to EIA-481

Note

- Chip resistor quantities less than 1000 pieces are typically packaged in bulk or waffle packs unless specified at time of order entry.

8, 12, 16 AND 24 mm EMBOSSED TAPE DIMENSIONS

DIAGRAMS



8 mm, 12 mm, 16 mm, AND 24 mm EMBOSSED TAPE DIMENSIONS in millimeters (inches)

Constant Dimensions

| TAPE SIZE | D | E | P ₀ | T (max.) | A ₀ B ₀ K ₀ | P ₂ |
|-----------|--------------------|-------------|----------------|----------|--|----------------|
| 8, 12 | 1.50 + 0.10/- 0.00 | 1.75 ± 0.10 | 4.00 ± 0.10 | 0.40 | See note 1 | 2.00 ± 0.05 |

| TAPE SIZE | B ₁ (max.) | D ₁ (min.) | F | P ₁ | R (min.) see note 2 | K | W | A ₀ B ₀ K ₀ |
|-----------------------|----------------------------------|-----------------------|------------------------------|--|------------------------|---------------------------------------|------------------------------|--|
| 8 mm 1/2 Pitch | 4.55 (0.179) see requirements | 1.00 (0.039) | 3.50 ± 0.10 (0.138 ± 0.004) | 2.0 ± 0.10 (0.079 ± 0.004) | 25 (0.984) | 2.50 max. (0.098) | 8.00 (0.315) | See note 1 |
| 8 mm | | | | see requirements | | | | |
| 12 mm | 8.20 (0.323) | 1.50 (0.059) | 5.50 ± 0.05 (0.217 ± 0.002) | 4.00 ± 0.10 (0.157 ± 0.004) | 30 (1.181) | 6.50 max. (0.256) see requirements | 12.00 ± 0.30 (0.472 ± 0.012) | |
| 12 mm Double Pitch | | | | 8.00 ± 0.10 (0.315 ± 0.004) | | | | |
| 16 mm | 12.10 (0.476) | 1.50 (0.059) | 7.50 ± 0.10 (0.295 ± 0.004) | 4.00 ± 0.10 (0.157 ± 0.004) | 30 (1.181) | 8.00 (0.315) | 16.30 (0.642) | |
| | | | | 8.00 ± 0.10 (0.315 ± 0.004) | | | | |
| 24 mm | 20.10 (0.791) | | 11.50 ± 0.10 (0.453 ± 0.004) | 4.00 ± 0.10 (0.157 ± 0.004) to 20.00 ± 0.10 (0.787 ± 0.004) in 4.00 (0.157) increments | | 12.00 (0.472) | 24.30 (0.957) | See note 1 |

Notes

- (1) A₀ B₀ K₀ are determined by component size. The clearance between the component and the cavity must be within 0.05 mm (0.002") min., to 0.50 mm (0.020") max. for 8 mm tape, and 0.05 mm (0.002") min. to 0.65 mm (0.026") max. for 12 mm tape. The component cannot rotate more than 20° within the determined cavity, see above diagram
- (2) Tape and components shall pass around radius "R" without damage



| VISHAY THIN FILM (NIAGARA FALLS) STANDARD TAPE AND REEL SPECIFICATIONS | | | | | | |
|---|---|-----------|---------------------|----------------------|---------------|-----------|
| CASE SIZE OR STYLE | SIZE | TAPE SIZE | MAX. QTY. / REEL | LEADER LENGTH (MIN.) | CAVITY SIZE | REEL SIZE |
| 0402 | 40 x 20 | 8 mm | 5000 | 400 mm | 0.045 x 0.024 | 7" |
| 0502 | 50 x 25 | 8 mm | 5000 | 400 mm | 0.061 x 0.035 | 7" |
| 0603 | 63 x 32 | 8 mm | 5000 | 400 mm | 0.075 x 0.045 | 7" |
| 0504 | 50 x 40 | 8 mm | 5000 | 400 mm | 0.052 x 0.054 | 7" |
| 0505 | 50 x 50 | 8 mm | 5000 | 400 mm | 0.052 x 0.054 | 7" |
| 0508 ⁽¹⁾ | 50 x 75 | 8 mm | 5000 | 400 mm | 0.060 x 0.080 | 7" |
| 0612 ⁽²⁾ | 63 x 126 | 8 mm | 4000 | 400 mm | 0.075 x 0.139 | 7" |
| 0705 / 0805 | 75 x 50 | 8 mm | 5000 | 400 mm | 0.060 x 0.080 | 7" |
| 1005 | 100 x 50 | 8 mm | 4000 ⁽⁴⁾ | 400 mm | 0.058 x 0.112 | 7" |
| 1010 | 100 x 100 | 8 mm | 4000 | 400 mm | 0.110 x 0.114 | 7" |
| 1020 | 100 x 200 | 12 mm | 3000 | 400 mm | 0.110 x 0.220 | 13" |
| 1206 | 126 x 63 | 8 mm | 4000 | 400 mm | 0.075 x 0.139 | 7" |
| 1225 ⁽³⁾ | 125 x 250 | 12 mm | 2000 | 400 mm | 0.140 x 0.290 | 7" |
| 1505 | 150 x 50 | 12 mm | 4000 | 400 mm | 0.089 x 0.168 | 7" |
| 2010 | 200 x 100 | 12 mm | 2000 | 400 mm | 0.111 x 0.220 | 7" |
| 2208 | 225 x 75 | 12 mm | 2000 | 400 mm | 0.085 x 0.243 | 7" |
| 2512 | 250 x 125 | 12 mm | 2000 | 400 mm | 0.140 x 0.290 | 7" |
| STYLE | TYPE | | | | | |
| DFN | 8 PAD 4 mm SQ. | 12 mm | 3000 | 400 mm | 0.172 x 0.172 | 13" |
| ORN / AORN | 8 PIN SOIC | 12 mm | 3000 | 400 mm | 0.254 x 0.202 | 13" |
| OSOP 16 lead | | | | | | |
| HTRN | | | | | | |
| MORN | 8 PIN QSOP (MO-187) | 12 mm | 3000 | 400 mm | 0.254 x 0.202 | 13" |
| TOMC | 16 PIN SOIC | 24 mm | 2000 | 400 mm | 0.323 x 0.457 | 13" |
| MP | SC70 | 8 mm | 4000 | 400 mm | 0.095 x 0.095 | 7" |
| MPM | SOT-23 | 8 mm | 4000 | 400 mm | 0.122 x 0.106 | 7" |
| MPD | SOT-143 | 8 mm | 4000 | 400 mm | 0.122 x 0.106 | 7" |
| MPH | 4 PIN LCC | 12 mm | 2500 | 400 mm | 0.165 x 0.230 | 13" |
| TLCC / LCC | 16 PIN LCC | 16 mm | 2000 | 400 mm | 0.330 x 0.327 | 13" |
| TLCC / LCC | 20 PIN LCC | 16 mm | 2000 | 400 mm | 0.408 x 0.405 | 13" |
| WOMC | 16 PIN SOIC 18 PIN SOIC 20 PIN SOIC | 24 mm | 1000 | 400 mm | 0.431 x 0.524 | 13" |
| NOMC | 14 PIN SOIC | 16 mm | 2500 | 400 mm | 0.258 x 0.351 | 13" |
| NOMCA | | | | | | |
| NOMC | | | | | | |
| NOMCA | 16 PIN SOIC | 16 mm | 2500 | 400 mm | 0.256 x 0.404 | 13" |
| OSOP | 20 PIN SSOP 24 PIN SSOP | 16 mm | 2500 | 400 mm | 0.258 x 0.315 | 13" |
| SILNET STYLE | TYPE | | | | | |
| VSOR | 16 PIN SOIC | 12 mm | 2500 | 400 mm | 0.252 x 0.205 | 13" |
| VSORC | 20 PIN SOIC | 24 mm | 1000 | 400 mm | 0.429 x 0.524 | 13" |
| VSOR2000S1 | 20 PIN SOIC | 24 mm | 1000 | 400 mm | 0.429 x 0.524 | 13" |
| VSSR | 16 PIN QSOP | 12 mm | 2500 | 400 mm | 0.252 x 0.205 | 13" |
| | 20 PIN QSOP | 16 mm | 2500 | 400 mm | 0.256 x 0.374 | 13" |
| | 24 PIN QSOP | 16 mm | 2500 | 400 mm | 0.256 x 0.374 | 13" |
| VSSRC | 20 PIN QSOP | 16 mm | 2500 | 400 mm | 0.256 x 0.374 | 13" |
| VTSR | 16 PIN TSSOP | 24 mm | 2500 | 400 mm | 0.252 x 0.205 | 13" |
| | 20 PIN TSSOP | 24 mm | 2500 | 400 mm | 0.256 x 0.374 | 13" |
| | 24 PIN TSSOP | 24 mm | 2500 | 400 mm | 0.256 x 0.374 | 13" |
| VTSRC | 20 PIN TSSOP | 24 mm | 2500 | 400 mm | 0.256 x 0.374 | 13" |

Notes

- (1) Same tape as 0705 / 0805, part orientation will have termination on B₀ side of pocket
- (2) Same tape as 1206, part orientation will have termination on B₀ side of pocket
- (3) Same tape as 2512, part orientation will have termination on B₀ side of pocket
- (4) M-1005 series 5000 pieces max. per reel