

Improved Quad CMOS Analog Switches

DESCRIPTION

The DG211B, DG212B analog switches are highly improved versions of the industry-standard DG211, DG212. These devices are fabricated in Vishay Siliconix' proprietary silicon gate CMOS process, resulting in lower on-resistance, lower leakage, higher speed, and lower power consumption.

These quad single-pole single-throw switches are designed for a wide variety of applications in telecommunications, instrumentation, process control, computer peripherals, etc. An improved charge injection compensation design minimizes switching transients. The DG211B and DG212B can handle up to ± 22 V, and have an improved continuous current rating of 30 mA. An epitaxial layer prevents latchup.

All devices feature true bi-directional performance in the on condition, and will block signals to the supply levels in the off condition.

The DG211B is a normally closed switch and the DG212B is a normally open switch (see Truth Table).

BENEFITS

- Wide analog signal range
- Simple logic interface
- Higher accuracy
- Minimum transients
- Reduced power consumption
- Superior to DG211, DG212
- Space savings (TSSOP)

FEATURES

- ± 22 V supply voltage rating
- TTL and CMOS compatible logic
- Low on-resistance - $R_{DS(on)}$: 50 Ω
- Low leakage - $I_{D(on)}$: 20 pA
- Single supply operation possible
- Extended temperature range
- Fast switching - t_{on} : 120 ns
- Low charge injection - Q: 1 pC
- Material categorization: for definitions of compliance please see www.vishay.com/doc?99912

Note

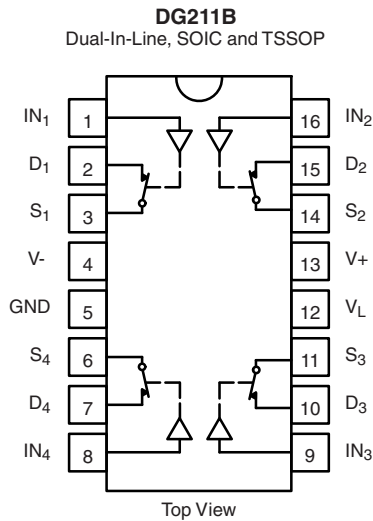
* This datasheet provides information about parts that are RoHS-compliant and / or parts that are non RoHS-compliant. For example, parts with lead (Pb) terminations are not RoHS-compliant. Please see the information / tables in this datasheet for details



APPLICATIONS

- Industrial instrumentation
- Test equipment
- Communications systems
- Disk drives
- Computer peripherals
- Portable instruments
- Sample-and-hold circuits

FUNCTIONAL BLOCK DIAGRAM AND PIN CONFIGURATION



TRUTH TABLE

LOGIC	DG211B	DG212B
0	On	Off
1	Off	On

Note

- Logic "0" ≤ 0.8 V
- Logic "1" ≥ 2.4 V

ORDERING INFORMATION		
TEMP. RANGE	PACKAGE	PART NUMBER
-40 °C to +85 °C	16-pin narrow SOIC	DG211BDY-E3
		DG211BDY-T1-E3
	16-pin TSSOP	DG212BDY-E3
		DG212BDY-T1-E3
	16-pin plastic DIP	DG211BDQ-E3
		DG211BDQ-T1-E3
		DG212BDQ-E3
		DG212BDQ-T1-E3
		DG211BDJ-E3
		DG212BDJ-E3

ABSOLUTE MAXIMUM RATINGS (T _A = 25 °C, unless otherwise noted)			
PARAMETER		LIMIT	UNIT
Voltages referenced, V+ to V-		44	V
GND		25	
Digital inputs ^a , V _S , V _D		(V-) - 2 to (V+) + 2 or 30 mA, whichever occurs first	
Current (any terminal)		30	mA
Peak current, S or D (pulsed at 1 ms, 10 % duty cycle max.)		100	
Storage temperature		-65 to +125	°C
Power dissipation (package) ^b	16-pin plastic DIP ^c	470	mW
	16-pin narrow SOIC and TSSOP ^d	640	

Notes

- Signals on SX, DX, or INX exceeding V+ or V- will be clamped by internal diodes. Limit forward diode current to maximum current ratings
- All leads welded or soldered to PC board
- Derate 6.5 mW/°C above 75 °C
- Derate 7.6 mW/°C above 75 °C

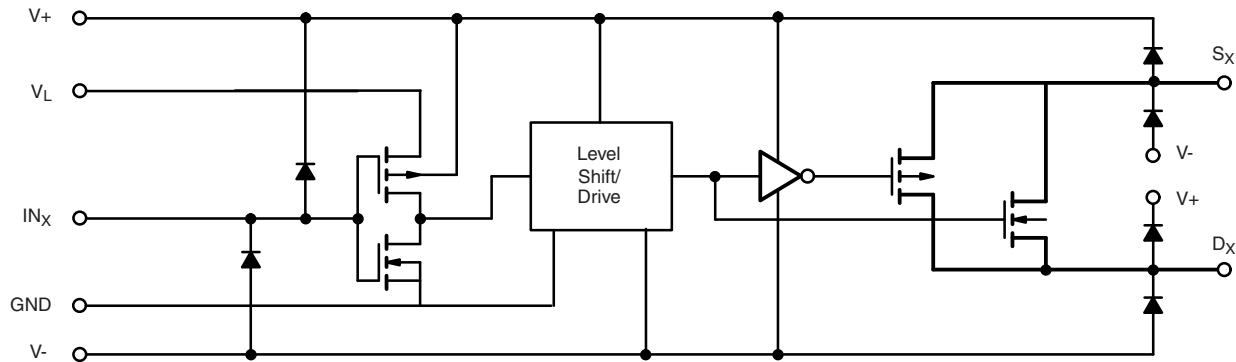
SCHEMATIC DIAGRAM (typical channel)


Fig. 1



SPECIFICATIONS							
PARAMETER	SYMBOL	TEST CONDITIONS UNLESS OTHERWISE SPECIFIED V ₊ = 15 V, V ₋ = -15 V V _L = 5 V, V _{IN} = 2.4 V, 0.8 V ^e	TEMP. ^a	D SUFFIX -40 °C to +85 °C			UNIT
				MIN. ^b	TYP. ^c	MAX. ^b	
Analog Switch							
Analog signal range ^d	V _{ANALOG}		Full	-15	-	15	V
Drain-source on-resistance	R _{DS(on)}	V _D = ± 10 V, I _S = 1 mA	Room	-	45	85	Ω
R _{DS(on)} match	ΔR _{DS(on)}		Full	-	-	100	
Source off leakage current	I _{S(off)}	V _S = ± 14 V, V _D = ± 14 V	Room	-0.5	± 0.01	0.5	nA
Drain off leakage current	I _{D(off)}		Full	-	± 0.01	5	
Drain on leakage current	I _{D(on)}	V _S = V _D = ± 14 V	Room	-0.5	± 0.01	0.5	
			Full	-5	± 0.01	5	
			Room	-0.5	± 0.02	0.5	
			Full	-10	± 0.02	10	
Digital Control							
Input voltage high	V _{INH}		Full	2.4	-	-	V
Input voltage low	V _{INL}		Full	-	-	0.8	
Input current	I _{INH} or I _{INL}	V _{INH} or V _{INL}	Full	-1	-	1	μA
Input capacitance	C _{IN}		Room	-	5	-	pF
Dynamic Characteristics							
Turn-on time	t _{on}	V _S = 10 V, see Fig. 9	Room	-	-	300	ns
Turn-off time	t _{off}		Room	-	-	200	
Charge injection	Q	C _L = 1000 pF, V _{gen} = 0 V, R _{gen} = 0 Ω	Room	-	1	-	pC
Source-off capacitance	C _{S(off)}	V _S = 0 V, f = 1 MHz	Room	-	5	-	pF
Drain-off capacitance	C _{D(off)}		Room	-	5	-	
Channel-on capacitance	C _{D(on)}	V _D = V _S = 0 V, f = 1 MHz	Room	-	16	-	
Off isolation	O _{IRR}	C _L = 15 pF, R _L = 50 Ω, V _S = 1 V _{RMS} , f = 100 kHz	Room	-	90	-	dB
Channel to channel crosstalk	X _{TALK}		Room	-	95	-	
Power Supply							
Positive supply current	I ₊	V _{IN} = 0 V or 5 V	Room	-	-	10	μA
			Full	-	-	50	
Negative supply current	I ₋		Room	- 10	-	-	
			Full	- 50	-	-	
Logic supply current	I _L		Room	-	-	10	
			Full	-	-	50	
Power supply range for continuous operation	V _{OP}		Full	± 4.5	-	± 22	V



SPECIFICATIONS (for Single Supply)								
PARAMETER	SYMBOL	TEST CONDITIONS UNLESS OTHERWISE SPECIFIED $V_+ = 12\text{ V}, V_- = 0\text{ V}$ $V_L = 5\text{ V}, V_{IN} = 2.4\text{ V}, 0.8\text{ V}^e$	TEMP. ^a	D SUFFIX -40 °C to +85 °C			UNIT	
				MIN. ^b	TYP. ^c	MAX. ^b		
Analog Switch								
Analog signal range ^d	V_{ANALOG}		Full	0	-	12	V	
Drain-source on-resistance	$R_{DS(on)}$	$V_D = 3\text{ V}, 8\text{ V}, I_S = 1\text{ mA}$	Room	-	90	160	Ω	
			Full	-	90	200		
Dynamic Characteristics								
Turn-on time	t_{ON}	$V_S = 8\text{ V}$, see Fig. 1	Room	-	-	300	ns	
Turn-off time	t_{OFF}		Room	-	-	200		
Charge injection	Q	$C_L = 1\text{ nF}, V_{gen} = 6\text{ V}, R_{gen} = 0\ \Omega$	Room	-	4		pC	
Power Supply								
Positive supply current	I+	$V_{IN} = 0\text{ V or } 5\text{ V}$	Room	-	-	10	μA	
			Full	-	-	50		
Negative supply current	I-		Room	- 10	-	-		
			Full	- 50	-	-		
Logic supply current	I_L		$V_S = 8\text{ V}$, see Fig. 1	Room	-	-		10
				Full	-	-		50
Power supply range for continuous operation	V_{OP}		Full	+ 4.5	-	+ 25	V	

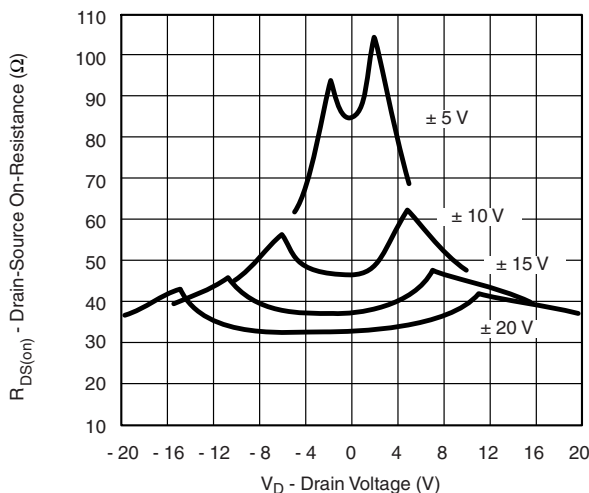
Notes

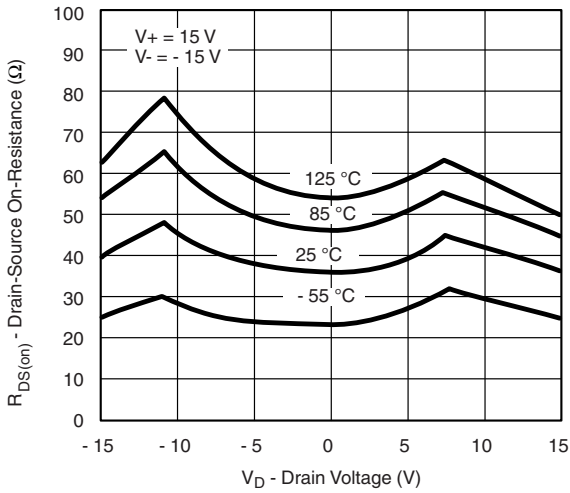
- a. Room = 25 °C, Full = as determined by the operating temperature suffix
- b. The algebraic convention whereby the most negative value is a minimum and the most positive a maximum, is used in this datasheet
- c. Typical values are for DESIGN AID ONLY, not guaranteed nor subject to production testing
- d. Guaranteed by design, not subject to production test
- e. V_{IN} = input voltage to perform proper function

Stresses beyond those listed under "Absolute Maximum Ratings" may cause permanent damage to the device. These are stress ratings only, and functional operation of the device at these or any other conditions beyond those indicated in the operational sections of the specifications is not implied. Exposure to absolute maximum rating conditions for extended periods may affect device reliability.

TYPICAL CHARACTERISTICS (25 °C, unless otherwise noted)

$R_{DS(on)}$ vs. V_D and Power Supply Voltages

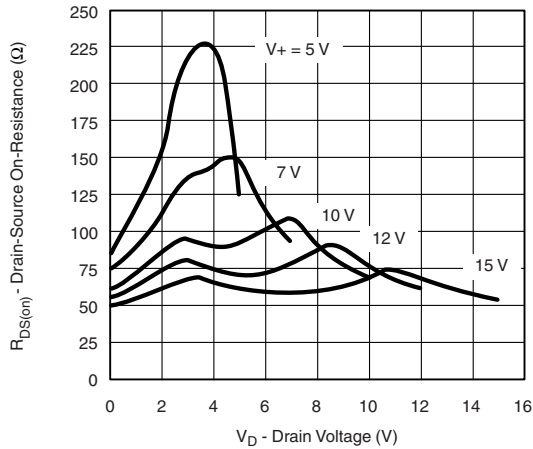




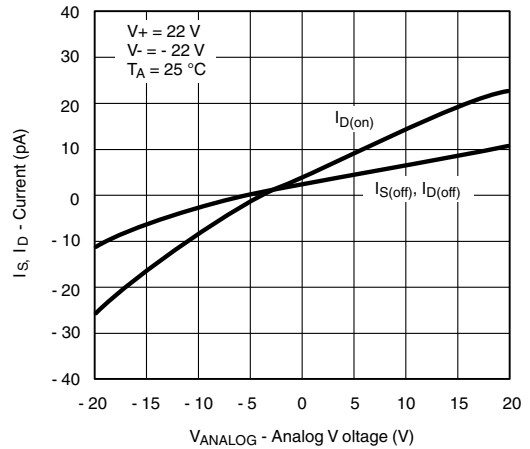
R_{DS(on)} vs. V_D and Temperature



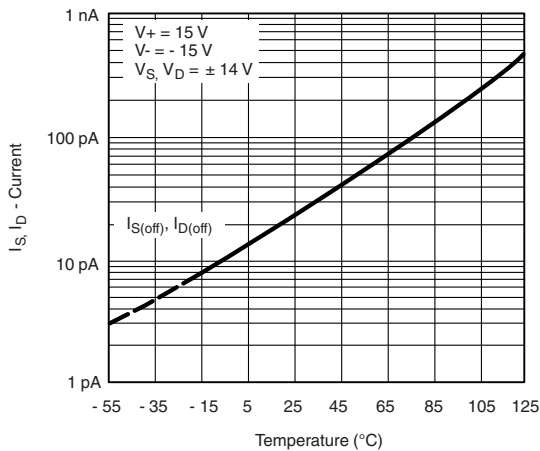
TYPICAL CHARACTERISTICS (25 °C, unless otherwise noted)



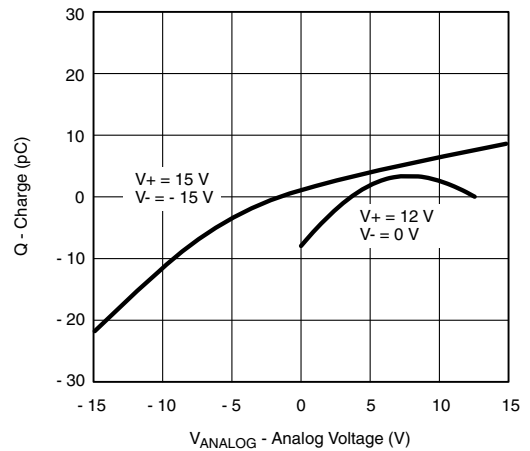
$R_{DS(on)}$ vs. V_D and Single Power Supply Voltages



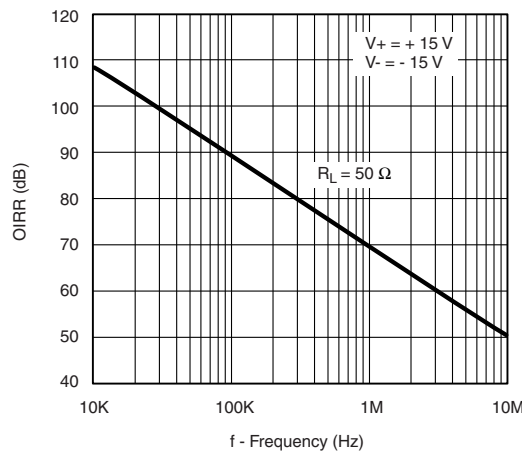
Leakage Current vs. Temperature



Leakage Current vs. Temperature



Q_S, Q_D - Charge Injection vs. Analog Voltage



Off Isolation vs. Frequency

TEST CIRCUITS

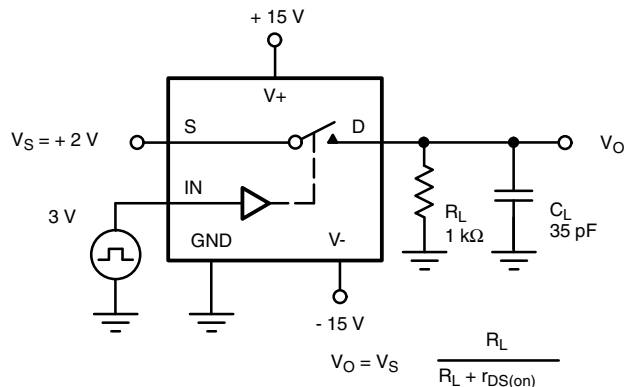


Fig. 2 - Switching Time

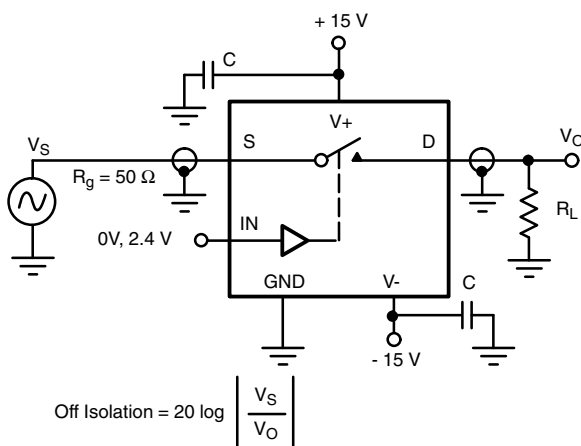
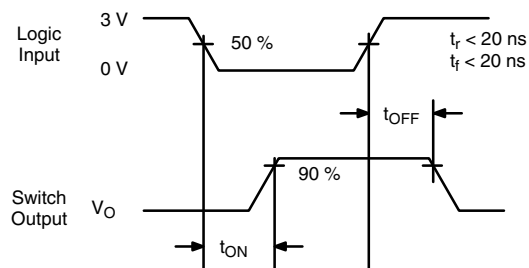


Fig. 3 - Off Isolation

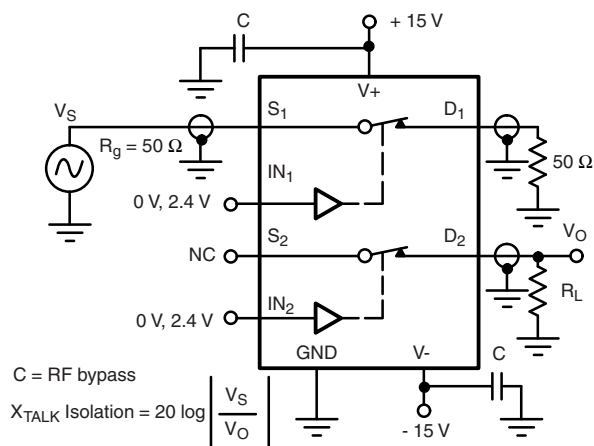


Fig. 4 - Channel to Channel Crosstalk

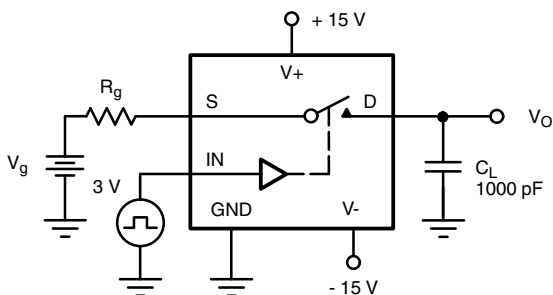
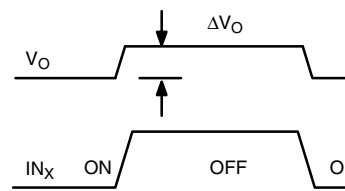


Fig. 5 - Charge Injection



ΔV_O = measured voltage error due to charge injection
The charge injection in coulombs is $Q = C_L \times \Delta V_O$

APPLICATIONS

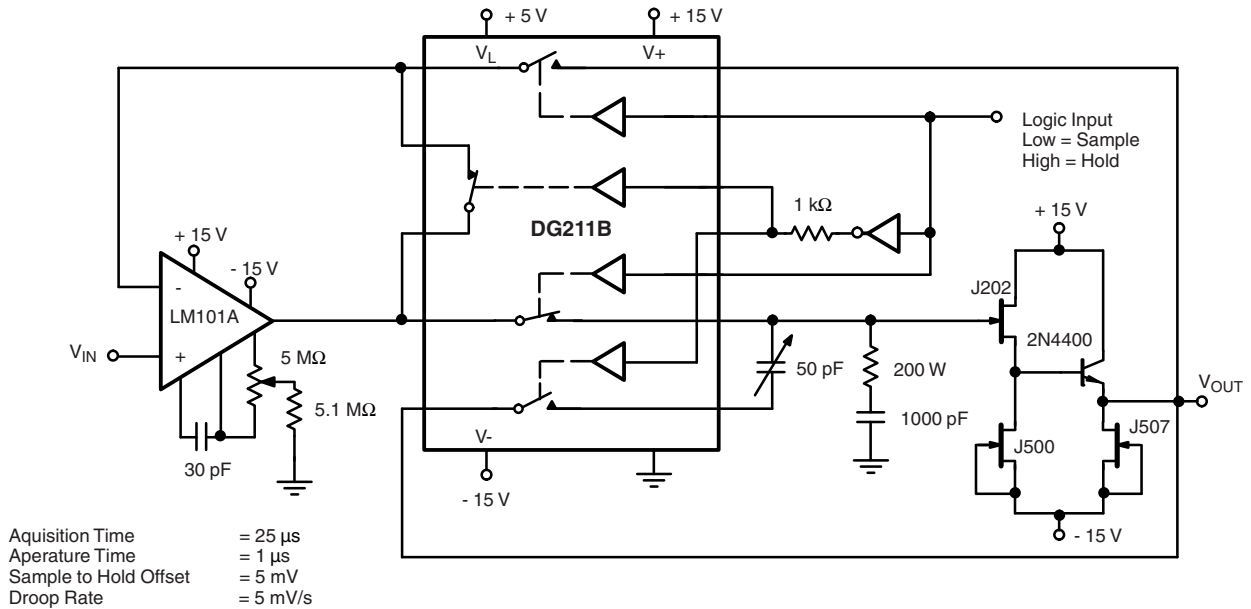
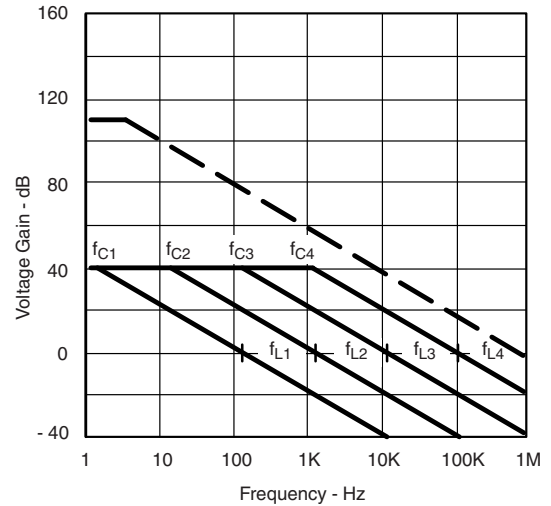
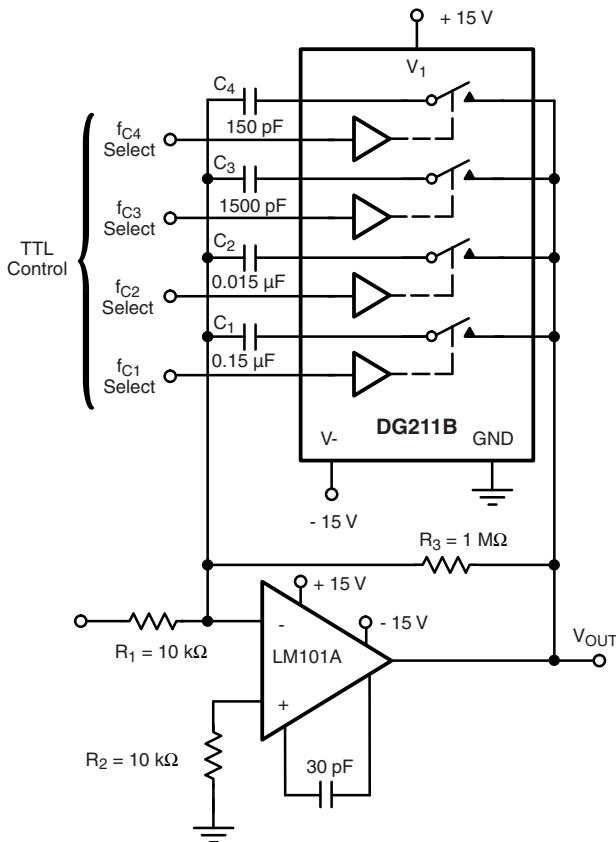


Fig. 6 - Sample and Hold



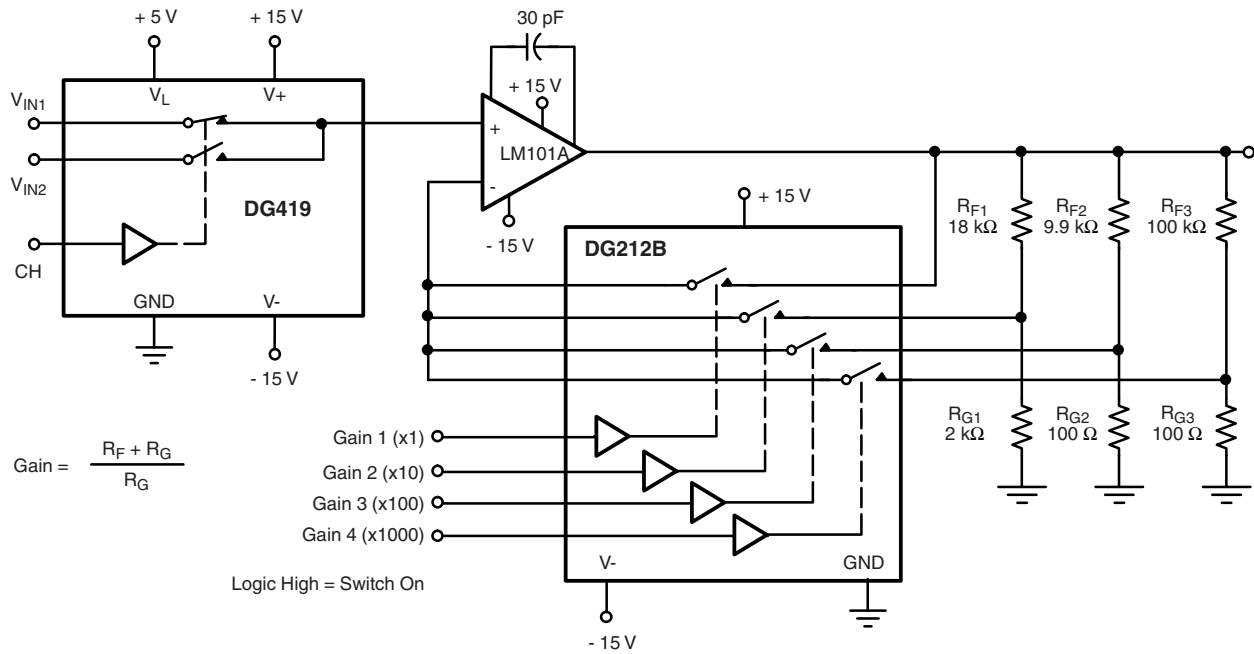
$$A_L \text{ (Voltage Gain Below Break Frequency)} = \frac{R_3}{R_1} = 100 \text{ (40 dB)}$$

$$f_C \text{ (Break Frequency)} = \frac{1}{2\pi R_3 C_X}$$

$$f_L \text{ (Unity Gain Frequency)} = \frac{1}{2\pi R_1 C_X}$$

$$\text{Max. Attenuation} = \frac{R_{DS(on)}}{10 \text{ k}\Omega} \approx -47 \text{ dB}$$

Fig. 7 - Active Low Pass Filter With Digitally Selected Break Frequency

APPLICATIONS

Fig. 8 - A Precision Amplifier with Digitally Programmable Input and Gains

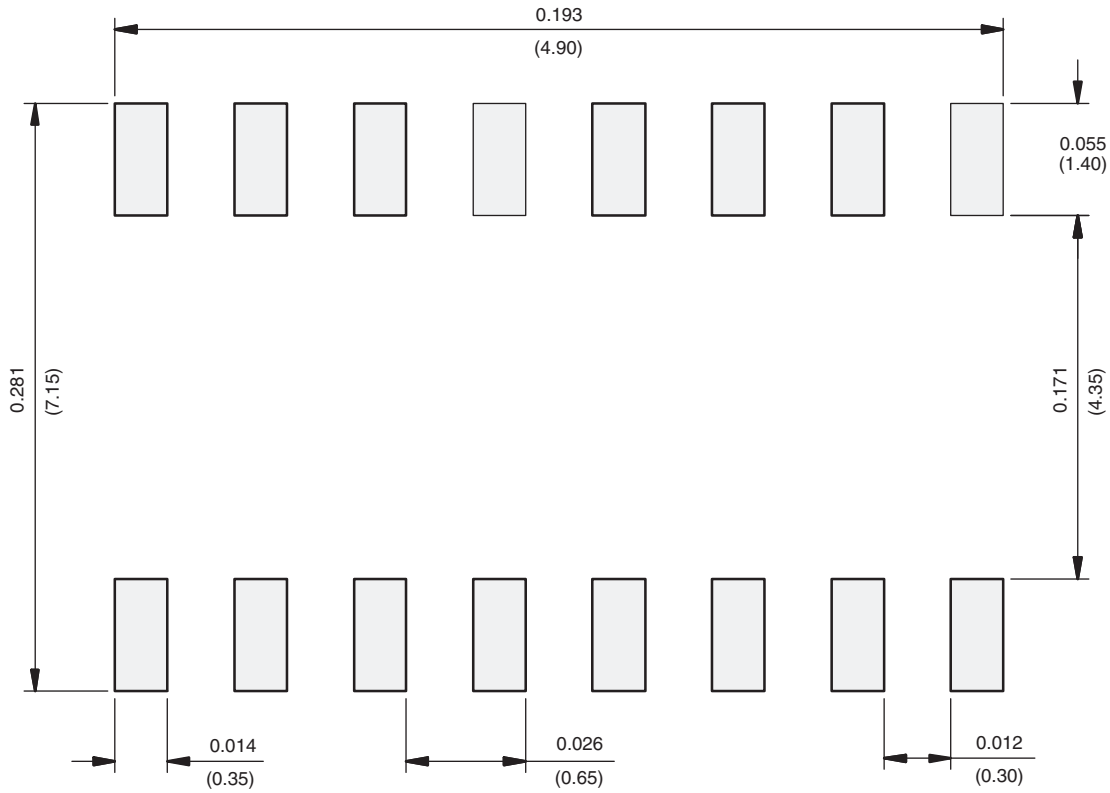


PRODUCT SUMMARY						
Part number	DG211B	DG211B	DG211B	DG212B	DG212B	DG212B
Status code	2	2	2	2	2	2
Configuration	SPST x 4, NC	SPST x 4, NC	SPST x 4, NC	SPST x 4, NO	SPST x 4, NO	SPST x 4, NO
Single supply min. (V)	5	5	5	5	5	5
Single supply max. (V)	36	36	36	36	36	36
Dual supply min. (V)	5	5	5	5	5	5
Dual supply max. (V)	36	36	36	36	36	36
On-resistance (Ω)	22	22	22	22	22	22
Charge injection (pC)	45	45	45	45	45	45
Source on capacitance (pF)	1	1	1	1	1	1
Source off capacitance (pF)	-	-	-	-	-	-
Leakage switch on typ. (nA)	5	5	5	5	5	5
Leakage switch off max. (nA)	0.02	0.02	0.02	0.02	0.02	0.02
-3 dB bandwidth (MHz)	0.5	0.5	0.5	0.5	0.5	0.5
Package	TSSOP-16	SO-16 (narrow) AS	Plastic DIP-16	TSSOP-16	SO-16 (narrow) AS	Plastic DIP-16
Functional circuit / applications	Multi purpose, instrumentation, medical and healthcare	Multi purpose, instrumentation, medical and healthcare	Multi purpose, instrumentation, medical and healthcare	Multi purpose, instrumentation, medical and healthcare	Multi purpose, instrumentation, medical and healthcare	Multi purpose, instrumentation, medical and healthcare
Interface	Parallel	Parallel	Parallel	Parallel	Parallel	Parallel
Single supply operation	Yes	Yes	Yes	Yes	Yes	Yes
Dual supply operation	Yes	Yes	Yes	Yes	Yes	Yes
Turn on time max. (ns)	300	300	300	300	300	300
Crosstalk and off isolation	-90	-90	-90	-90	-90	-90

Vishay Siliconix maintains worldwide manufacturing capability. Products may be manufactured at one of several qualified locations. Reliability data for Silicon Technology and Package Reliability represent a composite of all qualified locations. For related documents such as package/tape drawings, part marking, and reliability data, see www.vishay.com/ppg?61556.

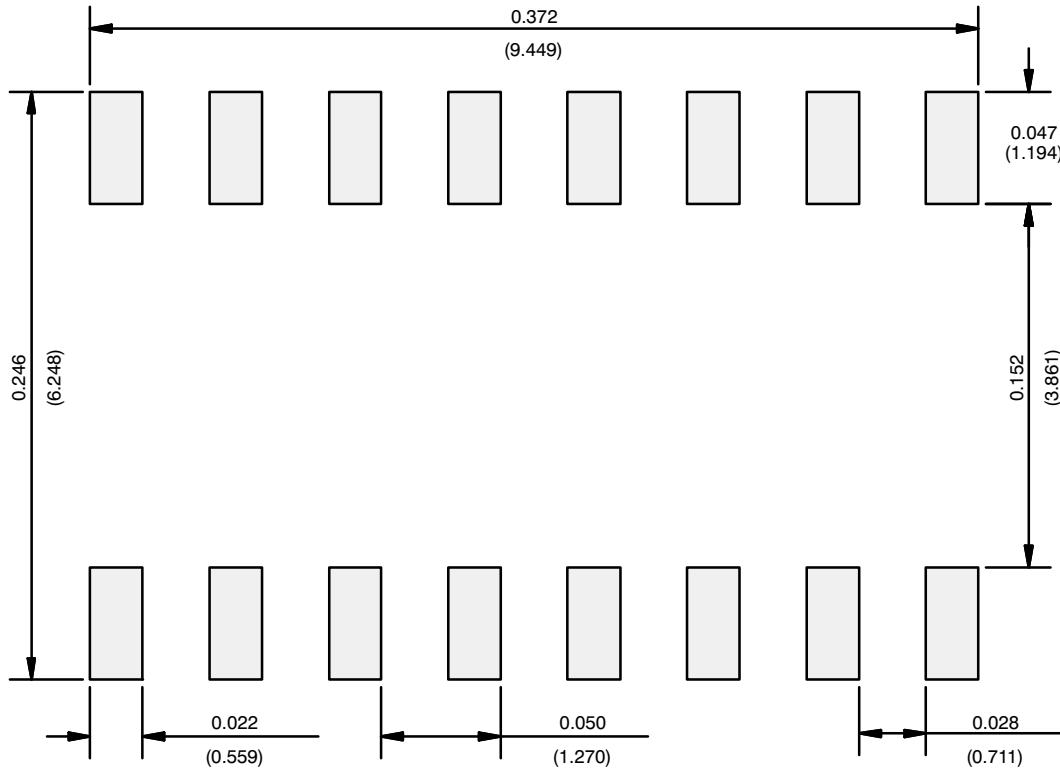


RECOMMENDED MINIMUM PAD FOR TSSOP-16



Recommended Minimum Pads
Dimensions in inches (mm)

RECOMMENDED MINIMUM PADS FOR SO-16



Recommended Minimum Pads
Dimensions in Inches/(mm)

[Return to Index](#)



Disclaimer

ALL PRODUCT, PRODUCT SPECIFICATIONS AND DATA ARE SUBJECT TO CHANGE WITHOUT NOTICE TO IMPROVE RELIABILITY, FUNCTION OR DESIGN OR OTHERWISE.

Vishay Intertechnology, Inc., its affiliates, agents, and employees, and all persons acting on its or their behalf (collectively, "Vishay"), disclaim any and all liability for any errors, inaccuracies or incompleteness contained in any datasheet or in any other disclosure relating to any product.

Vishay makes no warranty, representation or guarantee regarding the suitability of the products for any particular purpose or the continuing production of any product. To the maximum extent permitted by applicable law, Vishay disclaims (i) any and all liability arising out of the application or use of any product, (ii) any and all liability, including without limitation special, consequential or incidental damages, and (iii) any and all implied warranties, including warranties of fitness for particular purpose, non-infringement and merchantability.

Statements regarding the suitability of products for certain types of applications are based on Vishay's knowledge of typical requirements that are often placed on Vishay products in generic applications. Such statements are not binding statements about the suitability of products for a particular application. It is the customer's responsibility to validate that a particular product with the properties described in the product specification is suitable for use in a particular application. Parameters provided in datasheets and / or specifications may vary in different applications and performance may vary over time. All operating parameters, including typical parameters, must be validated for each customer application by the customer's technical experts. Product specifications do not expand or otherwise modify Vishay's terms and conditions of purchase, including but not limited to the warranty expressed therein.

Hyperlinks included in this datasheet may direct users to third-party websites. These links are provided as a convenience and for informational purposes only. Inclusion of these hyperlinks does not constitute an endorsement or an approval by Vishay of any of the products, services or opinions of the corporation, organization or individual associated with the third-party website. Vishay disclaims any and all liability and bears no responsibility for the accuracy, legality or content of the third-party website or for that of subsequent links.

Vishay products are not designed for use in life-saving or life-sustaining applications or any application in which the failure of the Vishay product could result in personal injury or death unless specifically qualified in writing by Vishay. Customers using or selling Vishay products not expressly indicated for use in such applications do so at their own risk. Please contact authorized Vishay personnel to obtain written terms and conditions regarding products designed for such applications.

No license, express or implied, by estoppel or otherwise, to any intellectual property rights is granted by this document or by any conduct of Vishay. Product names and markings noted herein may be trademarks of their respective owners.