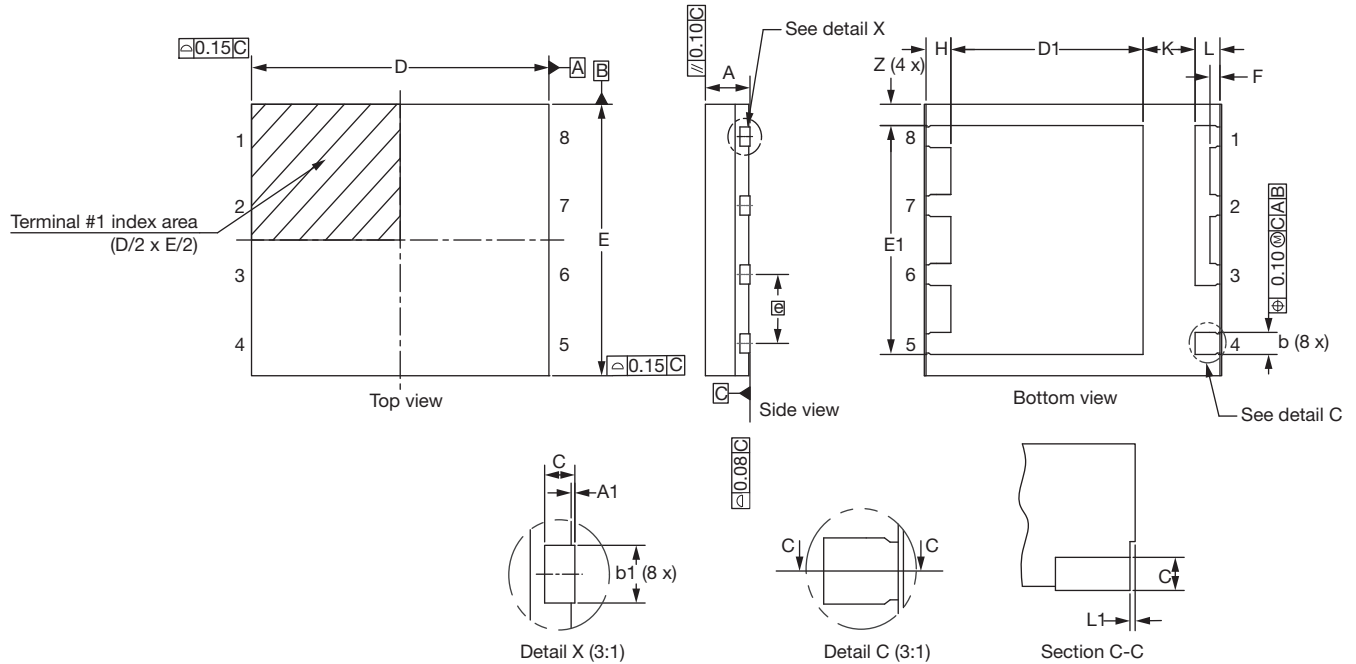




PowerPAK® SO-8SW (PKSO8SWSC) Case Outline



DIM.	MILLIMETERS			INCHES		
	MIN.	NOM.	MAX.	MIN.	NOM.	MAX.
A	0.85	0.90	0.95	0.033	0.035	0.037
A1	-	-	0.05	-	-	0.002
b	0.31	0.41	0.51	0.012	0.016	0.020
b1	0.25	0.35	0.45	0.010	0.014	0.018
c	0.20 ref.			0.008 ref.		
D	5.90	6.00	6.10	0.232	0.236	0.240
D1	3.78	3.88	3.98	0.149	0.153	0.157
E	4.90	5.00	5.10	0.193	0.197	0.201
E1	4.12	4.22	4.32	0.162	0.166	0.170
e	1.27 BSC			0.050 BSC		
F	0.20 ref.			0.008 ref.		
H	0.40	0.50	0.60	0.016	0.020	0.024
K	1.05 ref.			0.041 ref.		
L	0.40	0.50	0.60	0.016	0.020	0.024
L1	0.035 ref.			0.001 ref.		
Z	0.39 ref.			0.015 ref.		
ECN: C22-1081-Rev. A, 05-Dec-2022						
DWG: 6102						