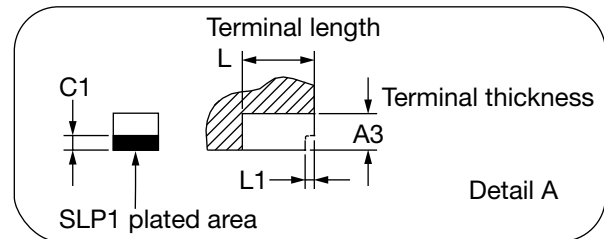
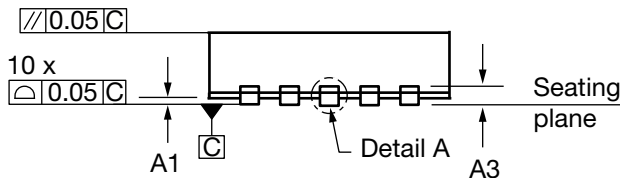
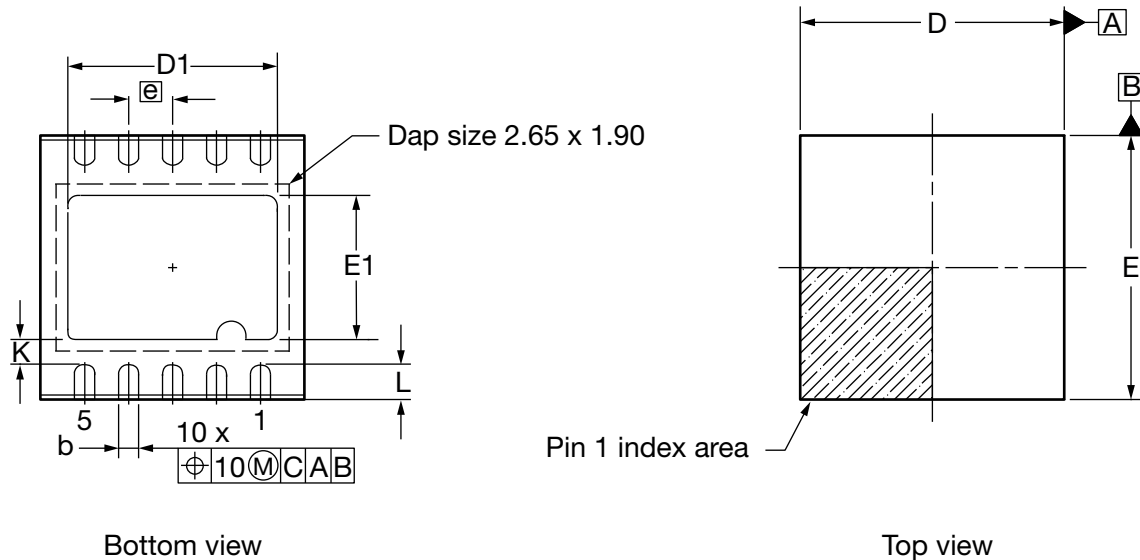


DFN 10F-33C Case Outline



DIM.	MILLIMETERS			INCHES		
	MIN.	NOM.	MAX.	MIN.	NOM.	MAX.
A	0.80	0.85	0.90	0.031	0.033	0.035
A1	0.00	-	0.05	0.000	-	0.002
A3	0.20 ref.			0.008 ref.		
b	0.18	0.23	0.28	0.007	0.009	0.011
C1	0.10 ref.			0.004 ref.		
D	2.95	3.00	3.05	0.116	0.118	0.120
D1	2.28	2.38	2.48	0.090	0.094	0.098
e	0.50 BSC			0.020 BSC		
E	2.95	3.00	3.05	0.007	0.009	0.011
E1	1.54	1.64	1.74	0.061	0.065	0.069
L	0.30	0.40	0.50	0.012	0.016	0.020
L1	0.05 ref.			0.002 ref.		
K	0.28 ref.			0.011 ref.		

ECN: E21-0371-Rev. A, 12-Jul-2021
 DWG: 6089

Notes

- All dimensions are in mm, angles in degree
- Coplanarity applies to the exposed PAD as well as the terminals. Coplanarity shall not exceed 0.05 mm
- Warpage shall not exceed 0.05 mm
- Package length and package width are considered as special characteristics (S)
- Refer JEDEC MO-229
- L/F stock # FR6140 (Ag on lead only)
- Detail A, side lead plating = SLP for wettable flank