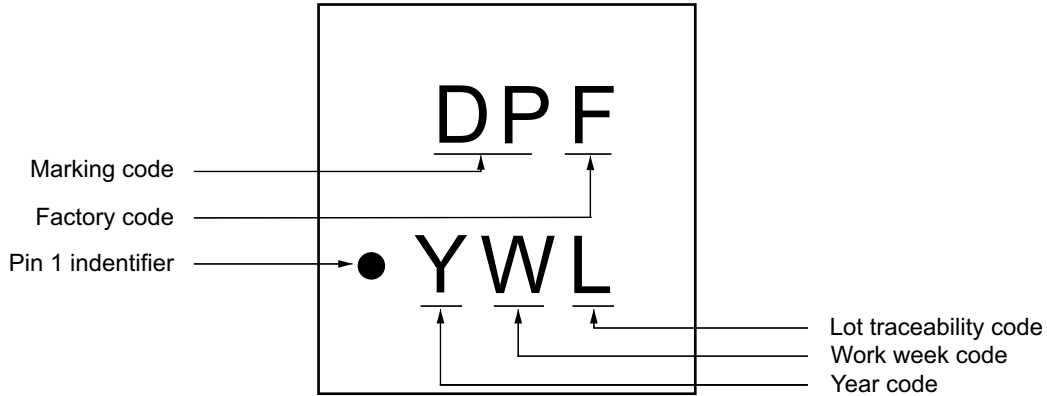




PowerPAK® SC-70, Thin PowerPAK® SC-70



DEVICE / PACKAGE TYPE CODE: D		
PACKAGE TYPE	DEVICE TYPE	CODE
Single	N-Ch (w or w/o ESD)	A or J
Single	P-Ch (w or w/o ESD)	B or K
Dual	N-Ch (w or w/o ESD)	C or L
Dual	P-Ch (w or w/o ESD)	D or O
Complementary	N / P-Ch	E or N
Dual asymmetrical	N-Ch / Schottky	G
Dual asymmetrical	P-Ch / Schottky	H
Dual asymmetrical	N / P-Ch	I
Products for medical segment	all	M
Automotive qualified products	all	Q

PART NUMBER CODE: P			
TYPE	P/N	P/N CODE (P)	MARKING CODE (DP)
Single N-Ch	SiA402DJ	A	AA
	SiA412DJ	B	AB
	SiA414DJ	C	AC
	SiA450DJ	D	AD
	SiA408DJ	E	AE
	SiA426DJ	F	AF
	SiA456DJ	G	AG
	SiA406DJ	H	AH
	Si400EDJ	I	AI
	SiA428EDJ	J	AJ
	SiA430DJ	K	AK
	SiA432DJ	L	AL
	SiA444DJT	M	AM
	SiA438EDJ	N	AN
	SiA436DJ	O	AO



PART NUMBER CODE: P			
TYPE	P/N	P/N CODE (P)	MARKING CODE (DP)
	SiA418DJ	P	AP
	SiA448DJ	Q	AQ
	SiA416DJ	R	AR
	SiA462DJ	S	AS
	SiA442DJ	T	AT
	SiA440DJ	U	AU
	SiA446DJ	V	AV
	SiA466EDJ	W	AW
	SiA468DJ	X	AX
	SiA430DJT	Y	AY
	SiA472EDJ	Z	AZ
	SiAA40DJ	1	A1
	SiA106DJ	2	A2
	SiA108DJ	3	A3
	SiA110DJ	4	A4
	SiAA00DJ	5	A5
	SiAA02DJ	6	A6
	SiA938DJT	7	A7
Single P-Ch	SiA401DJ	A	BA
	SiA403DJ	B	BB
	SiA443DJ	C	BC
	SiA405DJ	D	BD
	SiA411DJ	E	BE
	SiA413DJ	F	BF
	SiA415DJ	G	BG
	SiA417DJ	H	BH
	SiA419DJ	I	BI
	SiA421DJ	J	BJ
	SiA431DJ	K	BK
	SiA433EDJ	L	BL
	SiA425EDJ	M	BM
	SiA427DJ	N	BN
	Si441DJ	O	BO
	SiA429DJT	P	BP
	SiA445EDJ	Q	BQ
	SiA447DJ	R	BR
	SiA413ADJ	S	BS
	SiA427ADJ	T	BT
	SiA437DJ	U	BU
	SiA461DJ	V	BV
	SiA449DJ	W	BW
	SiA477EDJ	X	BX
	SiA438DJ	Y	BY
	SiA439EDJ	Z	BZ
	SiA467EDJ	1	B1
	SiA435EDJ	2	B2
	SiA459EDJ	3	B3
	SiA485DJ	4	B4
	SiA465EDJ	5	B5



<b>PART NUMBER CODE: P</b>			
<b>TYPE</b>	<b>P/N</b>	<b>P/N CODE (P)</b>	<b>MARKING CODE (DP)</b>
	SiA445EDJT	6	B6
	SiA477EDJT	7	B7
	SiA469DJ	8	B8
	SiA471DJ	9	B9
	SiA483ADJ	A	KA
Dual N-Ch	SiA912DJ	A	CA
	SiA914DJ	B	CB
	SiA906EDJ	C	CC
	SiA850DJ	D	CD
	SiA950DJ	E	CE
	SiA910EDJ	F	CF
	SiA778DJ	G	CG
	SiA920DJ	N	CH
	SiA922EDJ	I	CI
	SiA914ADJ	J	CJ
	SiA936EDJ	K	CK
	SiA918EDJ	L	CL
	SiA928DJ	M	CM
Dual P-Ch	SiA901DJ	A	DA
	SiA903DJ	B	DB
	SiA911DJ	C	DC
	SiA913DJ	D	DD
	SiA917DJ	E	DE
	SiA921EDJ	F	DF
	SiA911ADJ	G	DG
	SiA911EDJ	H	DH
	SiA913ADJ	I	DI
	SiA975DJ	J	DJ
	SiA923EDJ	K	DK
	SiA915DJ	L	DL
	SiA907EDJT	M	DM
	SiA929DJ	N	DN
	SiA931DJ	O	DO
	SiA923AEDJ	P	DP
Complementary N/P-Ch	SiA511DJ	A	EA
	SiA513DJ	B	EB
	SiA534DJ	C	EC
	SiA513EDJ	D	ED
	SiA517DJ	E	EE
	SiA777EDJ	F	EF
	SiA519EDJ	G	EG
	SiA533EDJ	H	EH
	SiA552DJ	I	EI
	SiA527DJ	J	EJ
	SiA537EDJ	K	EK
Dual asymmetric N-Ch / Schottky	SiA810DJ	A	GA
	SiA814DJ	B	GB
Dual asymmetric P-Ch / Schottky	SiA811DJ	A	HA
	SiA813DJ	B	HB



<b>PART NUMBER CODE: P</b>			
TYPE	P/N	P/N CODE (P)	MARKING CODE (DP)
	SiA809DJ	C	HC
	SiA811ADJ	D	HD
	SiA817EDJ	E	HE
Medical	SMMA511DJ	A	MA
	SMMA912DJ	B	MB
	SMMA430DJ	F	MF
	SMMA921EDJ	G	MG

<b>YEAR CODE: Y</b>			
YEAR	CODE	YEAR	CODE
2010	0	2020	0
2011	1	2021	1
2012	2	2022	2
2013	3	2023	3
2014	4	2024	4
2015	5	2025	5
2016	6	2026	6
2017	7	2027	7
2018	8	2028	8
2019	9	2029	9

<b>WORK WEEK CODE: W</b>					
WEEK	WEEK CODE	WEEK	WEEK CODE	WEEK	WEEK CODE
1 - 2	A	19 -20	J	37 - 38	S
3 - 4	B	21 - 22	K	39 - 40	T
5 - 6	C	23 - 24	L	41 - 42	U
7 - 8	D	25 - 26	M	43 - 44	V
9 - 10	E	27 - 28	N	45 - 46	W
11 - 12	F	29 - 30	O	47 - 48	X
13 - 14	G	31 - 31	P	49 - 50	Y
15 - 16	H	33 - 34	Q	51 - 53	Z
17 - 18	I	35 - 36	R		

The current marking strategy is reflected. Contact your local sales representative for historical marking strategies for these packages.