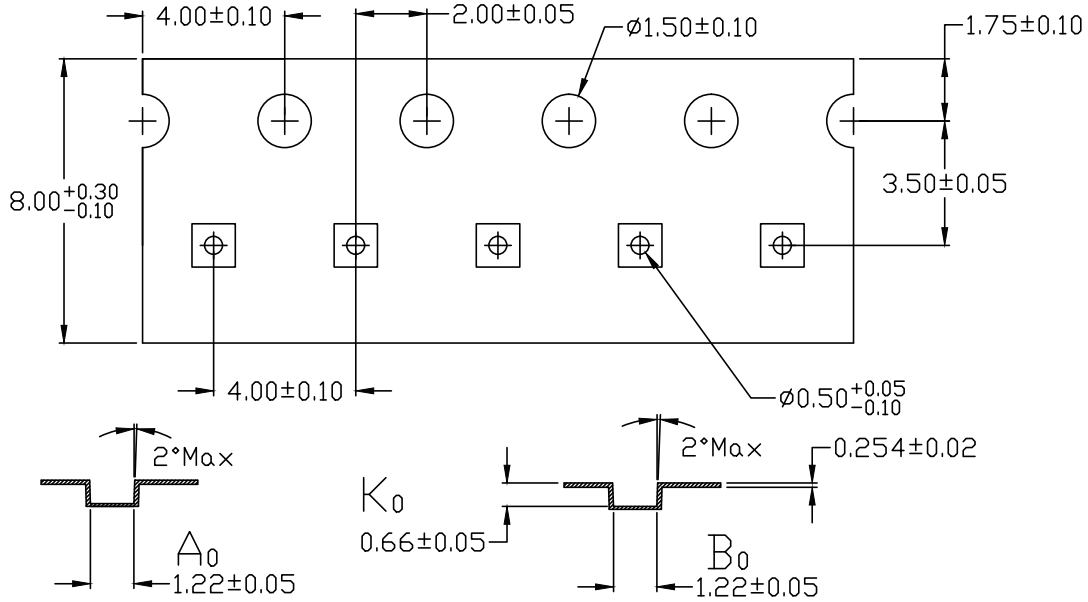


Carrier Tape for uDFN4L-1.1 mm x 1.1 mm



Notes

1. 10 sprocket hole pitch cumulative tolerance ± 0.2 mm.
2. Camber not to exceed 1 mm in 100 mm, also not to exceed 1 cm in 1 m actually.
3. Material: black conductive polycarbonate.
4. Pocket position relative to sprocket hole measured as true position of pocket, not pocket hole.
5. All sizes in mm unless specified.
6. Surface resistivity - 10^5 max. Ω /sq.

E13-1182-Rev. A, 05-Aug-13
 DWG: 93-5320-X