

Low Voltage, Dual Supply, Low R_{ON} , Quad SPST Analog Switches

DESCRIPTION

The DG9424, DG9425, DG9426 are low voltage precision monolithic quad single-pole-single-throw analog switches.

Using BiCMOS wafer fabrication technology allows the DG9424, DG9425, DG9426 to operate on single and dual supplies. Single supply voltage ranges from 3 V to 12 V while dual supply operation is recommended with ± 3 V to ± 6 V.

Combining high speed (t_{ON} : 42 ns), flat $R_{DS(on)}$ over the analog signal range (Ω), minimal insertion lose (-3 dB at 190 MHz), and excellent crosstalk and off-isolation performance, the DG9424, DG9425, DG9426 are ideally suited for audio and video signal switching.

The DG9424 and DG9425 respond to opposite control logic as shown in the truth table. The DG9426 has two normally open and two normally closed switches.

FEATURES

- 2.7 V thru 12 V single supply or ± 3 thru ± 6 dual supply
- On-resistance - $R_{DS(on)}$: 1.7 Ω
- Fast switching - t_{ON} : 42 ns
- t_{OFF} : 28 ns
- TTL, CMOS compatible
- Low leakage: 0.2 nA
- 2000 V ESD protection

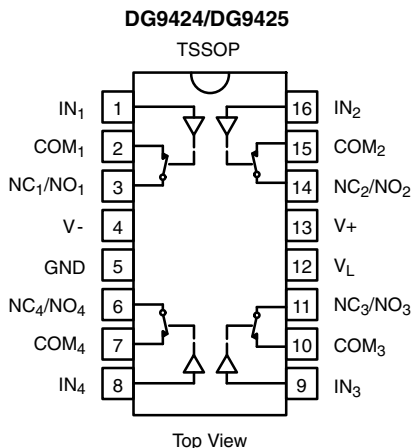
BENEFITS

- Widest dynamic range
- Low signal errors and distortion
- Break-before-make switching action
- Simple interfacing

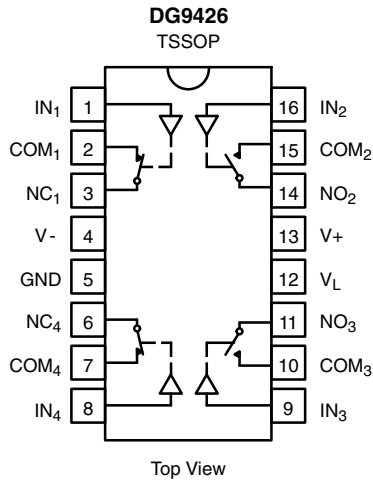
APPLICATIONS

- Automatic test equipment
- Data acquisition systems
- Communication systems
- ADC systems
- xDSL and PBX / PABX
- Audio signal routing

FUNCTIONAL BLOCK DIAGRAM AND PIN CONFIGURATION



| TRUTH TABLE | | |
|-------------|--------|--------|
| LOGIC | DG9424 | DG9425 |
| 0 | OFF | ON |
| 1 | ON | OFF |

FUNCTIONAL BLOCK DIAGRAM AND PIN CONFIGURATION


| TRUTH TABLE | | |
|-------------|-----------------------------------|-----------------------------------|
| LOGIC | SW ₁ , SW ₄ | SW ₂ , SW ₃ |
| 0 | ON | OFF |
| 1 | OFF | ON |

| ORDERING INFORMATION | | |
|----------------------|--------------|----------------|
| TEMP. RANGE | PACKAGE | PART NUMBER |
| -40 °C to +85 °C | 16-Pin TSSOP | DG9424DQ-T1-E3 |
| | | DG9425DQ-T1-E3 |
| | | DG9426DQ-T1-E3 |

| ABSOLUTE MAXIMUM RATINGS | | | |
|---|---------------------------|--|------|
| PARAMETER | | LIMIT | UNIT |
| V ₊ to V ₋ | | -0.3 to +13 | V |
| GND to V ₋ | | 7 | |
| V _L | | (GND - 0.3) to (V ₊) + 0.3 | |
| IN, COM, NC, NO ^a | | (V ₋) - 0.3 to (V ₊) + 0.3 | |
| Continuous Current (NO, NC, COM Pins) | | 100 | mA |
| Peak Current, S or D (Pulsed 1 ms, 10 % Duty Cycle) | | 200 | |
| Storage Temperature | | -65 to +150 | °C |
| Power Dissipation (Package) ^b | 16-Pin TSSOP ^c | 450 | mW |
| Thermal Resistance ^b | | 178 | °C/W |

Notes

- Signals on NC, NO, COM or IN exceeding V₊ or V₋ will be clamped by internal diodes. Limit forward diode current to maximum current ratings.
- All leads welded or soldered to PC board.
- Derate 7 mW/°C above 25 °C.



| SPECIFICATIONS ^a Single Supply 12 V | | | | | | | |
|--|--------------------------------------|--|--------------------|----------------------------|-------------------|-------------------|------|
| PARAMETER | SYMBOL | TEST CONDITIONS UNLESS OTHERWISE SPECIFIED V ₊ = 12 V, V ₋ = 0 V V _L = 5 V, V _{IN} = 2.4 V, 0.8 V ^f | TEMP. ^b | LIMITS -40 °C to +85 °C | | | UNIT |
| | | | | MIN. ^d | TYP. ^c | MAX. ^d | |
| Analog Switch | | | | | | | |
| Analog Signal Range ^e | V _{ANALOG} | | Full | 0 | - | 12 | V |
| On-Resistance | R _{ON} | V ₊ = 10.8 V, V ₋ = 0 V I _{NO} , I _{NC} = 50 mA, V _{COM} = 2 V / 9 V | Room | - | 1.8 | 3 | Ω |
| | | | Full | - | - | 4 | |
| Digital Control | | | | | | | |
| Input Current | I _{INL} or I _{INH} | | Full | -1 | 0.01 | 1 | μA |
| Dynamic Characteristics | | | | | | | |
| Turn-On Time ^e | t _{ON} | R _L = 300 Ω, C _L = 35 pF V _{NO} , V _{NC} = 5 V, see fig. 2 | Room | - | 42 | 57 | ns |
| | | | Full | - | - | 65 | |
| Turn-Off Time ^e | t _{OFF} | | Room | - | 28 | 42 | |
| | | | Full | - | - | 44 | |
| Break-Before-Make Time Delay ^e | t _D | DG9426 only, V _{NO} , V _{NC} = 5 V R _L = 300 Ω, C _L = 35 pF | Room | 2 | - | - | |
| Charge Injection ^e | Q _{INJ} | V _g = 0 V, R _g = 0 Ω, C _L = 1 nF | Room | - | 38 | - | pC |
| Off-Isolation ^e | OIRR | R _L = 50 Ω, C _L = 5 pF f = 1 MHz | Room | - | -56 | - | dB |
| Channel-to-Channel Crosstalk ^e | X _{TALK} | | Room | - | -77 | - | |
| NO, NC Off Capacitance ^e | C _{NO(off)} | f = 1 MHz | Room | - | 49 | - | pF |
| | C _{NC(off)} | | | | | | |
| COM Off Capacitance ^e | C _{COM(off)} | | Room | - | 37 | - | |
| Channel On Capacitance ^e | C _{COM(on)} | | Room | - | 89 | - | |
| Power Supplies | | | | | | | |
| Positive Supply Current | I ₊ | V _{IN} = 0 or V _L | Room | - | 0.02 | 1 | μA |
| | | | Full | - | - | 5 | |
| Negative Supply Current | I ₋ | | Room | -1 | -0.002 | - | |
| | | | Full | -5 | - | - | |
| Logic Supply Current | I _L | | Room | - | 0.002 | 1 | |
| | | | Full | - | - | 5 | |
| Ground Current | I _{GND} | | Room | -1 | -0.002 | - | |
| | | | Full | -5 | - | - | |



| SPECIFICATIONS ^a Dual Supply ± 5 V | | | | | | | | |
|---|--------------------------------|---|---|----------------------------|-------------------|-------------------|----------|---|
| PARAMETER | SYMBOL | TEST CONDITIONS UNLESS OTHERWISE SPECIFIED $V_+ = 5$ V, $V_- = 5$ V $V_L = 5$ V, $V_{IN} = 2.4$ V, 0.8 V ^f | TEMP. ^b | LIMITS -40 °C to +85 °C | | | UNIT | |
| | | | | MIN. ^d | TYP. ^c | MAX. ^d | | |
| Analog Switch | | | | | | | | |
| Analog Signal Range ^e | V_{ANALOG} | | Full | -5 | | 5 | V | |
| On-Resistance | R_{ON} | $V_+ = 4.5$ V, $V_- = -4.5$ V $I_{NO}, I_{NC} = 50$ mA, $V_{NO}, V_{COM} = \pm 3.5$ V | Room | - | 2 | 3.3 | Ω | |
| | | | Full | - | - | 4.3 | | |
| Switch Off Leakage Current | $I_{NO(off)}$ | $V_+ = 5.5$ V, $V_- = -5.5$ V $V_{COM} = \pm 4.5$ V, $V_{NO}, V_{NC} = \pm 4.5$ V | Room | -1 | - | 1 | nA | |
| | $I_{NC(off)}$ | | Full | -10 | - | 10 | | |
| | $I_{COM(off)}$ | | Room | -1 | - | 1 | | |
| | | | Full | -10 | - | 10 | | |
| Channel On Leakage Current | $I_{COM(on)}$ | $V_+ = 5.5$ V, $V_- = -5.5$ V, $V_{NO}, V_{NC} = V_{COM} = \pm 4.5$ V | Room | -1 | - | 1 | | |
| | | | Full | -10 | - | 10 | | |
| Digital Control | | | | | | | | |
| Input Current ^a | I_{INL} or I_{INH} | | Full | -1 | 0.05 | 1 | μ A | |
| Dynamic Characteristics | | | | | | | | |
| Turn-On Time ^e | t_{ON} | $R_L = 300 \Omega$, $C_L = 35$ pF $V_{NO}, V_{NC} = \pm 3.5$ V, see fig. 2 | Room | - | 48 | 67 | ns | |
| | | | Full | - | - | 81 | | |
| Turn-Off Time ^e | t_{OFF} | | Room | - | 34 | 57 | | |
| | | | Full | - | - | 67 | | |
| Break-Before-Make Time Delay ^e | t_D | | DG9426 only, $V_{NO}, V_{NC} = 3.5$ V $R_L = 300 \Omega$, $C_L = 35$ pF | Room | 2 | - | | - |
| Charge Injection ^e | Q_{INJ} | | $V_g = 0$ V, $R_g = 0 \Omega$, $C_L = 1$ nF | Room | - | 112 | | - |
| Off Isolation ^e | OIRR | $R_L = 50 \Omega$, $C_L = 5$ pF, $f = 1$ MHz | Room | - | -56 | - | dB | |
| Channel-to-Channel Crosstalk ^e | X_{TALK} | | Room | - | -82 | - | | |
| Source Off Capacitance ^e | $C_{NO(off)}$ $C_{NC(off)}$ | $f = 1$ MHz | Room | - | 38 | - | pF | |
| Drain Off Capacitance ^e | $C_{COM(off)}$ | | Room | - | 38 | - | | |
| Channel On Capacitance ^e | $C_{COM(on)}$ | | Room | - | 89 | - | | |
| Power Supplies | | | | | | | | |
| Positive Supply Current ^e | I_+ | $V_{IN} = 0$ or V_L | Room | - | 0.03 | 1 | μ A | |
| | | | Full | - | - | 5 | | |
| Negative Supply Current ^e | I_- | | Room | -1 | -0.002 | - | | |
| | | | Full | -5 | - | - | | |
| Logic Supply Current ^e | I_L | | Room | - | 0.002 | 1 | | |
| | | | Full | - | - | 5 | | |
| Ground Current ^e | I_{GND} | | Room | -1 | -0.002 | - | | |
| | | | Full | -5 | - | - | | |



| SPECIFICATIONS ^a Single Supply 5 V | | | | | | | | |
|--|---------------------|---|--|----------------------------|-------------------|-------------------|------|---|
| PARAMETER | SYMBOL | TEST CONDITIONS UNLESS OTHERWISE SPECIFIED V ₊ = 5 V, V ₋ = 0 V V _L = 5 V, V _{IN} = 2.4 V, 0.8 V ^f | TEMP. ^b | LIMITS -40 °C to +85 °C | | | UNIT | |
| | | | | MIN. ^d | TYP. ^c | MAX. ^d | | |
| Analog Switch | | | | | | | | |
| Analog Signal Range ^e | V _{ANALOG} | | Full | - | - | 5 | V | |
| On-Resistance ^e | R _{ON} | V ₊ = 4.5 V, I _{NO} , I _{NC} = 50 mA, V _{COM} = 1 V, 3.5 V | Room | - | 3.4 | 4.8 | Ω | |
| | | | Full | - | - | 5.8 | | |
| Dynamic Characteristics | | | | | | | | |
| Turn-On Time ^e | t _{ON} | R _L = 300 Ω, C _L = 35 pF V _{NO} , V _{NC} = 3.5 V, see fig. 2 | Room | - | 71 | 86 | ns | |
| | | | Hot | - | - | 106 | | |
| Turn-Off Time ^e | t _{OFF} | | Room | - | 37 | 51 | | |
| | | | Hot | - | - | 56 | | |
| Break-Before-Make Time Delay ^e | t _D | | DG9426 only, V _{NO} , V _{NC} = 3.5 V R _L = 300 Ω, C _L = 35 pF | Room | 5 | - | | - |
| Charge Injection ^e | Q _{INJ} | | V _g = 0 V, R _g = 0 Ω, C _L = 1 nF | Room | - | 10 | | - |
| Power Supplies | | | | | | | | |
| Positive Supply Current ^e | I ₊ | V _{IN} = 0 or V _L | Room | - | 0.02 | 1 | μA | |
| | | | Hot | - | - | 5 | | |
| Negative Supply Current ^e | I ₋ | | Room | -1 | -0.002 | - | | |
| | | | Hot | -5 | - | - | | |
| Logic Supply Current ^e | I _L | | Room | - | 0.002 | 1 | | |
| | | | Hot | - | - | 5 | | |
| Ground Current ^e | I _{GND} | | Room | -1 | -0.002 | - | | |
| | | | Hot | -5 | - | - | | |



| SPECIFICATIONS ^a Single Supply 3 V | | | | | | | |
|---|--------------------------------------|---|--------------------|----------------------------|-------------------|-------------------|------|
| PARAMETER | SYMBOL | TEST CONDITIONS UNLESS OTHERWISE SPECIFIED V ₊ = 3 V, V ₋ = 0 V V _L = 3 V, V _{IN} = 2.4 V, 0.4 V ^f | TEMP. ^b | LIMITS -40 °C to +85 °C | | | UNIT |
| | | | | MIN. ^d | TYP. ^c | MAX. ^d | |
| Analog Switch | | | | | | | |
| Analog Signal Range ^e | V _{ANALOG} | | Full | 0 | - | 3 | V |
| On-Resistance | R _{ON} | V ₊ = 2.7 V, V ₋ = 0 V I _{NO} , I _{NC} = 5 mA, V _{COM} = 0.5 V, 2.2 V | Room | - | 8 | 13.8 | Ω |
| | | | Full | - | - | 15.1 | |
| Switch Off Leakage Current ^a | I _{NO(off)} | V ₊ = 3.3 V, V ₋ = 0 V V _{COM} = 0.3 V, 3 V, V _{NO} , V _{NC} = 3, 0.3 V | Room | -1 | - | 1 | nA |
| | I _{NC(off)} | | Full | -10 | - | 10 | |
| | I _{COM(off)} | | Room | -1 | - | 1 | |
| | | | Full | -10 | - | 10 | |
| Channel On Leakage Current ^a | I _{COM(on)} | V ₊ = 3.3 V, V ₋ = 0 V, V _{NO} , V _{NC} = V _{COM} = 0.3 V, 3 V | Room | -1 | - | 1 | |
| | | | Full | -10 | - | 10 | |
| Digital Control ^e | | | | | | | |
| Input Current | I _{INL} OR I _{INH} | | Full | -1 | 0.005 | 1 | μA |
| Dynamic Characteristics | | | | | | | |
| Turn-On Time | t _{ON} | R _L = 300 Ω, C _L = 35 pF V _{NO} , V _{NC} = 1.5 V, see fig. 2 | Room | - | 140 | 163 | ns |
| | | | Full | - | - | 193 | |
| Turn-Off Time | t _{OFF} | | Room | - | 65 | 80 | |
| | | | Full | - | - | 89 | |
| Break-Before-Make Time Delay | t _D | DG9426 only, V _{NO} , V _{NC} = 1.5 V R _L = 300 Ω, C _L = 35 pF | Room | 5 | | | |
| Charge Injection ^e | Q _{INJ} | V _g = 0 V, R _g = 0 Ω, C _L = 1 nF | Room | - | 15 | - | pC |
| Off Isolation ^e | OIRR | R _L = 50 Ω, C _L = 5 pF f = 1 MHz | Room | - | -56 | - | dB |
| Channel-to-Channel Crosstalk ^e | X _{TALK} | | Room | - | -80 | - | |
| Source Off Capacitance ^e | C _{NO(off)} | f = 1 MHz | Room | - | 53 | - | pF |
| | C _{NC(off)} | | Room | - | 42 | - | |
| Drain Off Capacitance ^e | C _{COM(off)} | | Room | - | 92 | - | |
| Channel On Capacitance ^e | C _{COM(on)} | | Room | - | | | |

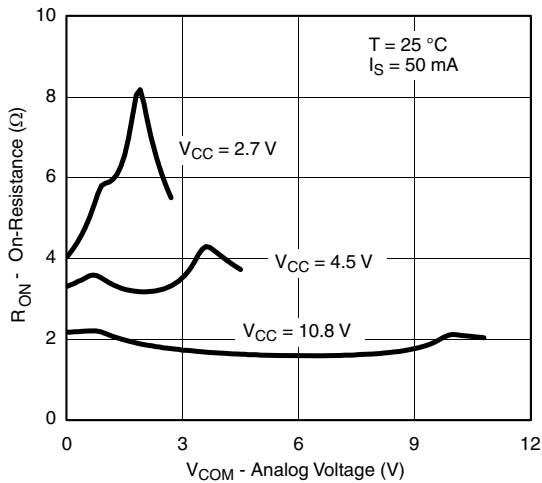
Notes

- a. Leakage parameters are guaranteed by worst case test conditions and not subject to production test.
- b. Room = 25 °C, Full = As determined by the operating temperature suffix.
- c. Typical values are for DESIGN AID ONLY, not guaranteed nor subject to production testing.
- d. The algebraic convention whereby the most negative value is a minimum and the most positive a maximum, is used in this datasheet.
- e. Guaranteed by design, not subject to production test.
- f. V_{IN} = Input voltage to perform proper function.

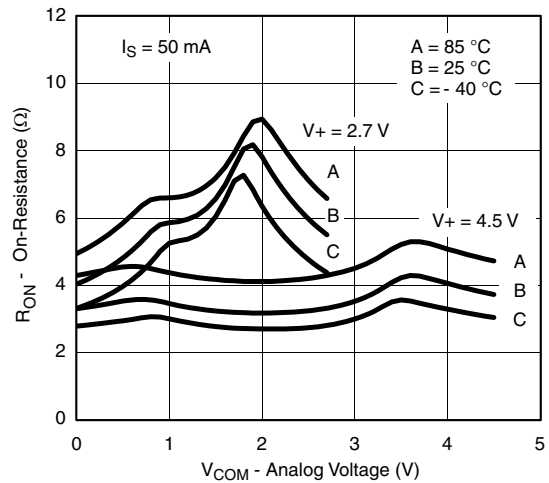
Stresses beyond those listed under "Absolute Maximum Ratings" may cause permanent damage to the device. These are stress ratings only, and functional operation of the device at these or any other conditions beyond those indicated in the operational sections of the specifications is not implied. Exposure to absolute maximum rating conditions for extended periods may affect device reliability.



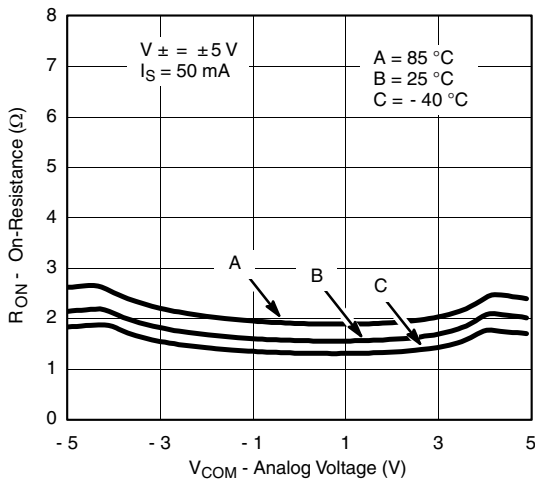
TYPICAL CHARACTERISTICS (25 °C, unless otherwise noted)



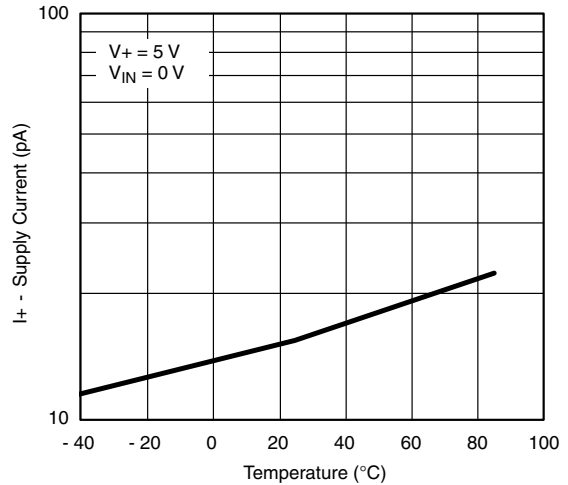
RON vs. VCOM and Supply Voltage



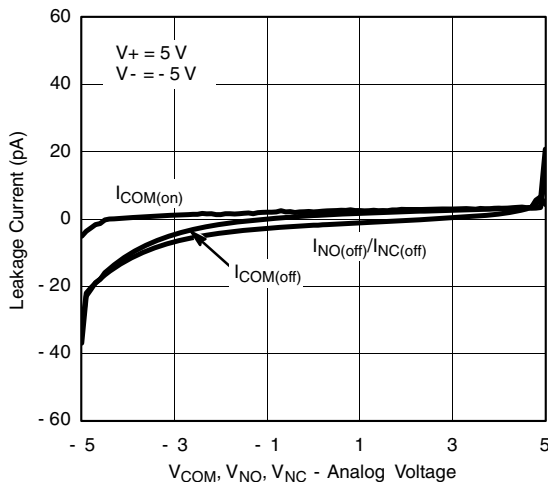
RON vs. Analog Voltage and Temperature



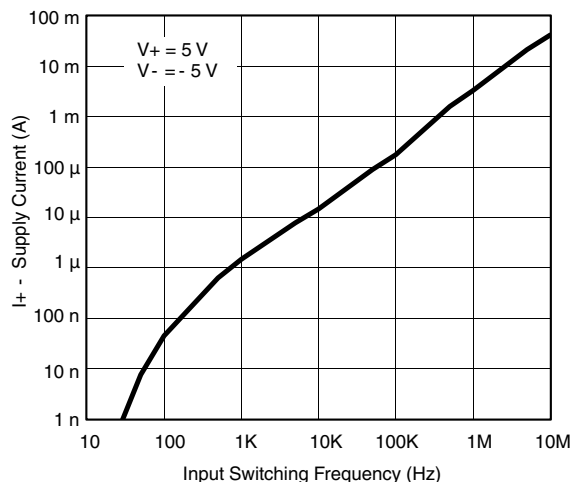
RON vs. Analog Voltage and Temperature



Supply Current vs. Temperature



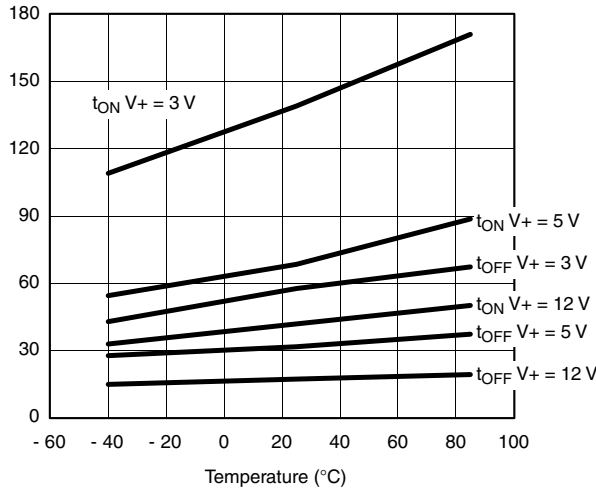
Leakage Current vs. Analog Voltage



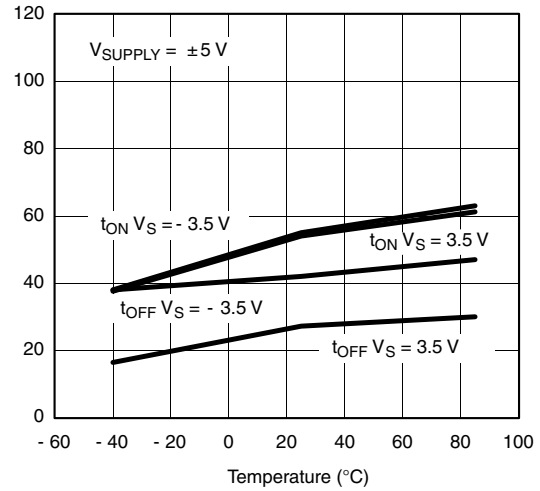
Switching Current vs. Input Switching Frequency



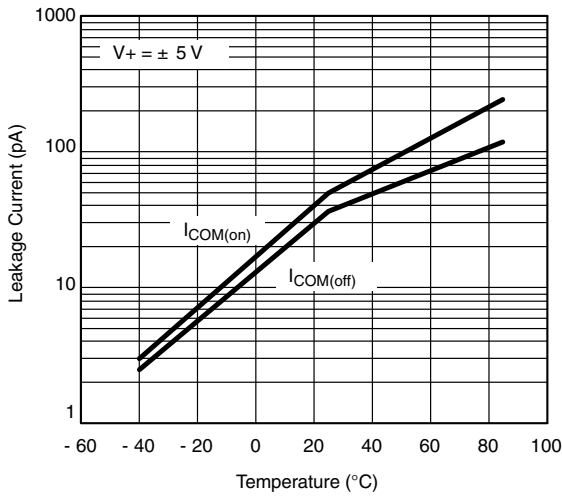
TYPICAL CHARACTERISTICS (25 °C, unless otherwise noted)



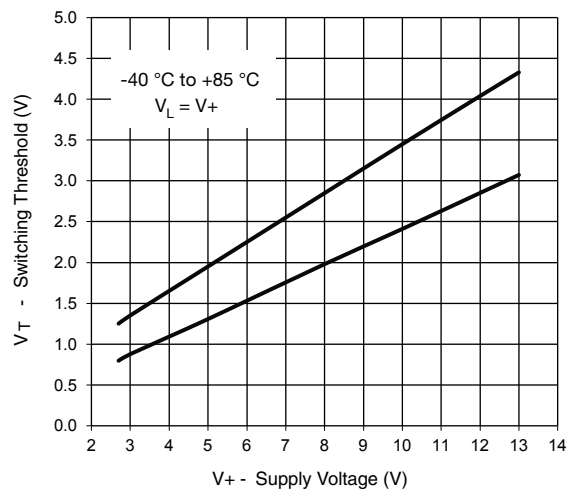
Switching Time vs. Temperature and Single Supply Voltage



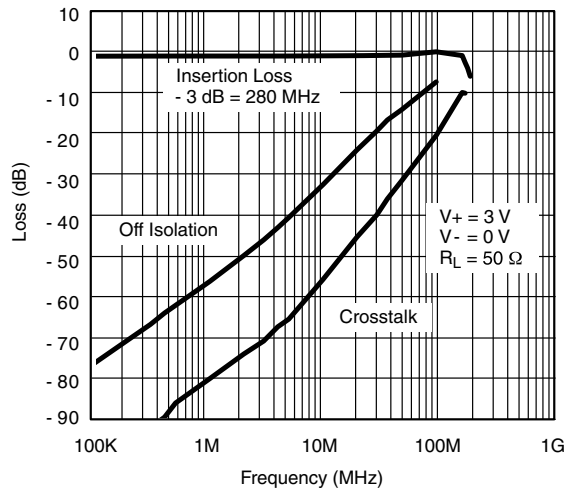
Switching Time vs. Temperature and Dual Supply Voltage



Leakage Current vs. Temperature



Switching Threshold vs. Supply Voltage



Insertion Loss, Off Isolation and Crosstalk vs. Frequency

SCHEMATIC DIAGRAM (typical channel)

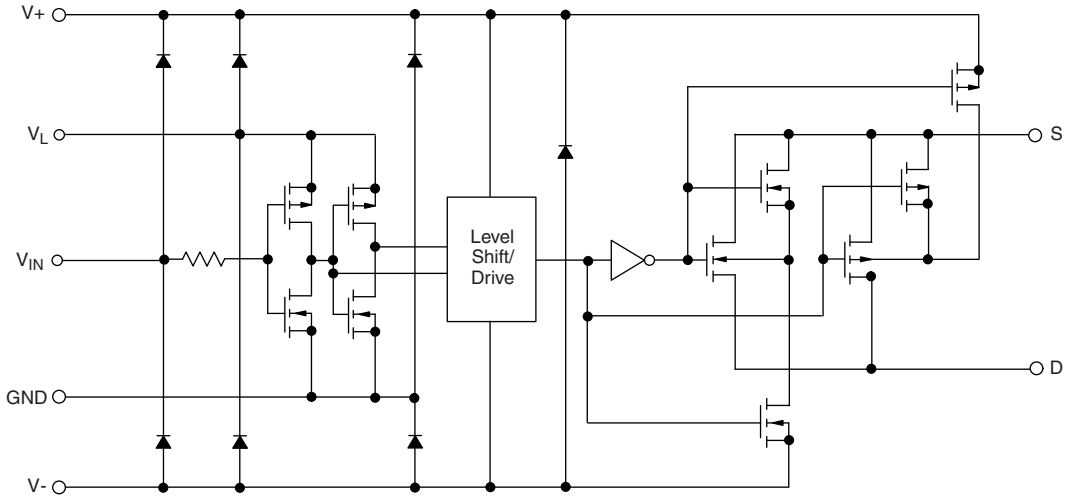
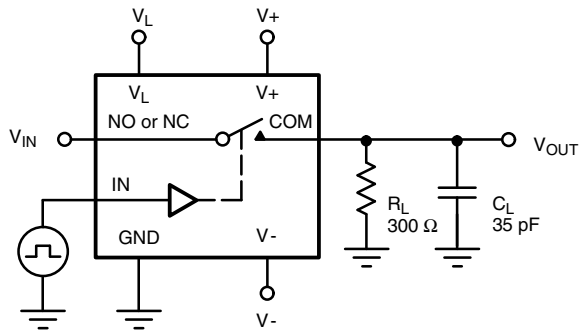


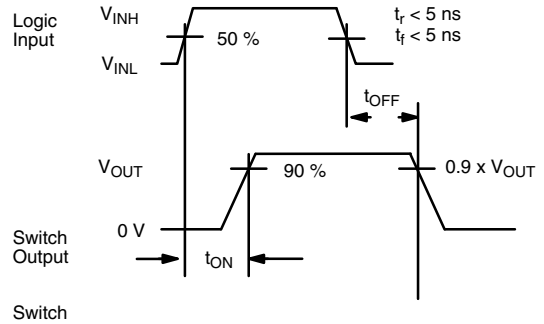
Fig. 1

TEST CIRCUITS



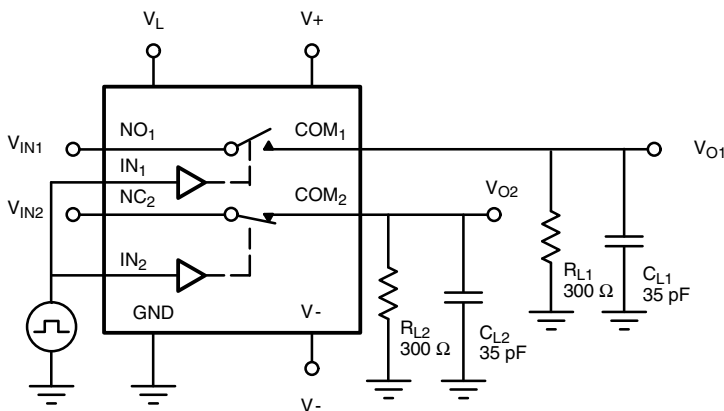
C_L (includes fixture and stray capacitance)

$$V_{OUT} = V_{IN} \frac{R_L}{R_L + r_{ON}}$$



Note: Logic input waveform is inverted for switches that have the opposite logic sense control

Fig. 2 - Switching Time



C_L (includes fixture and stray capacitance)

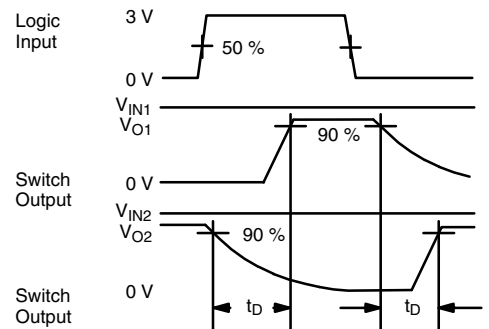


Fig. 3 - Break-Before-Make (DG9426)

TEST CIRCUITS

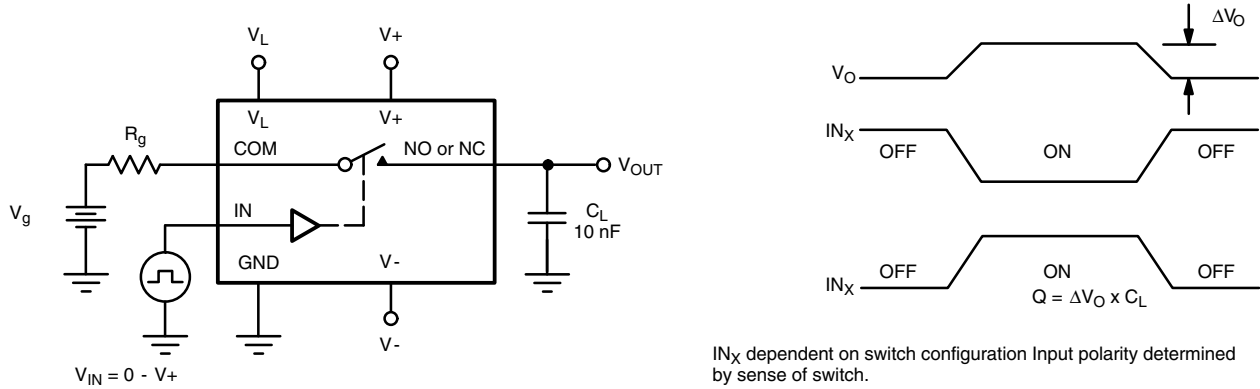


Fig. 4 - Charge Injection

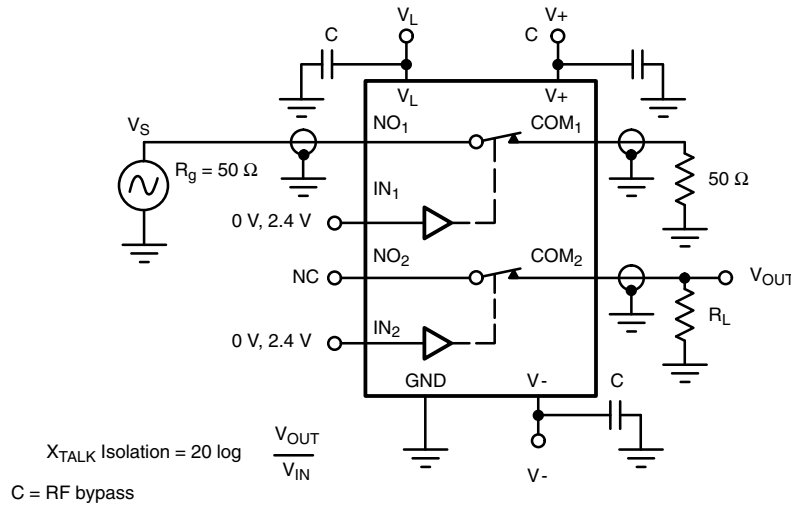


Fig. 5 - Crosstalk

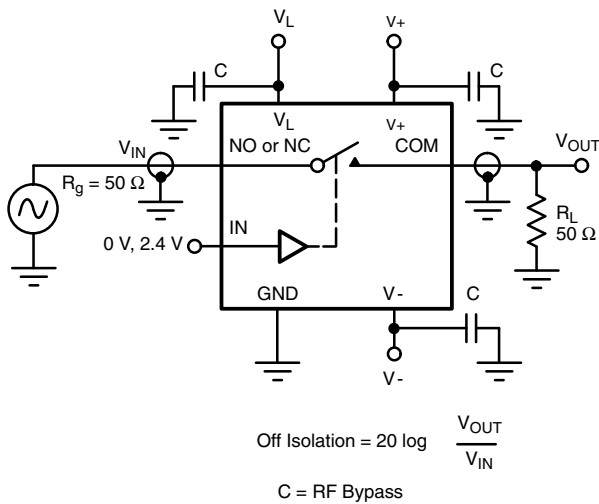


Fig. 6 - Off-Isolation

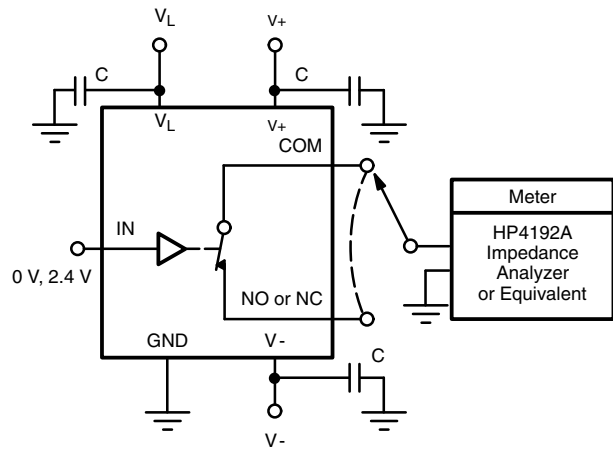


Fig. 7 - Source / Drain Capacitances

Vishay Siliconix maintains worldwide manufacturing capability. Products may be manufactured at one of several qualified locations. Reliability data for Silicon Technology and Package Reliability represent a composite of all qualified locations. For related documents such as package/tape drawings, part marking, and reliability data, see www.vishay.com/ppg?71807.

TSSOP: 16-LEAD



| Symbols | DIMENSIONS IN MILLIMETERS | | |
|---------|---------------------------|-------|------|
| | Min | Nom | Max |
| A | - | 1.10 | 1.20 |
| A1 | 0.05 | 0.10 | 0.15 |
| A2 | - | 1.00 | 1.05 |
| B | 0.22 | 0.28 | 0.38 |
| C | - | 0.127 | - |
| D | 4.90 | 5.00 | 5.10 |
| E | 6.10 | 6.40 | 6.70 |
| E1 | 4.30 | 4.40 | 4.50 |
| e | - | 0.65 | - |
| L | 0.50 | 0.60 | 0.70 |
| L1 | 0.90 | 1.00 | 1.10 |
| y | - | - | 0.10 |
| θ1 | 0° | 3° | 6° |

ECN: S-61920-Rev. D, 23-Oct-06
 DWG: 5624



RECOMMENDED MINIMUM PAD FOR TSSOP-16



Recommended Minimum Pads
Dimensions in inches (mm)



Disclaimer

ALL PRODUCT, PRODUCT SPECIFICATIONS AND DATA ARE SUBJECT TO CHANGE WITHOUT NOTICE TO IMPROVE RELIABILITY, FUNCTION OR DESIGN OR OTHERWISE.

Vishay Intertechnology, Inc., its affiliates, agents, and employees, and all persons acting on its or their behalf (collectively, "Vishay"), disclaim any and all liability for any errors, inaccuracies or incompleteness contained in any datasheet or in any other disclosure relating to any product.

Vishay makes no warranty, representation or guarantee regarding the suitability of the products for any particular purpose or the continuing production of any product. To the maximum extent permitted by applicable law, Vishay disclaims (i) any and all liability arising out of the application or use of any product, (ii) any and all liability, including without limitation special, consequential or incidental damages, and (iii) any and all implied warranties, including warranties of fitness for particular purpose, non-infringement and merchantability.

Statements regarding the suitability of products for certain types of applications are based on Vishay's knowledge of typical requirements that are often placed on Vishay products in generic applications. Such statements are not binding statements about the suitability of products for a particular application. It is the customer's responsibility to validate that a particular product with the properties described in the product specification is suitable for use in a particular application. Parameters provided in datasheets and / or specifications may vary in different applications and performance may vary over time. All operating parameters, including typical parameters, must be validated for each customer application by the customer's technical experts. Product specifications do not expand or otherwise modify Vishay's terms and conditions of purchase, including but not limited to the warranty expressed therein.

Hyperlinks included in this datasheet may direct users to third-party websites. These links are provided as a convenience and for informational purposes only. Inclusion of these hyperlinks does not constitute an endorsement or an approval by Vishay of any of the products, services or opinions of the corporation, organization or individual associated with the third-party website. Vishay disclaims any and all liability and bears no responsibility for the accuracy, legality or content of the third-party website or for that of subsequent links.

Except as expressly indicated in writing, Vishay products are not designed for use in medical, life-saving, or life-sustaining applications or for any other application in which the failure of the Vishay product could result in personal injury or death. Customers using or selling Vishay products not expressly indicated for use in such applications do so at their own risk. Please contact authorized Vishay personnel to obtain written terms and conditions regarding products designed for such applications.

No license, express or implied, by estoppel or otherwise, to any intellectual property rights is granted by this document or by any conduct of Vishay. Product names and markings noted herein may be trademarks of their respective owners.