

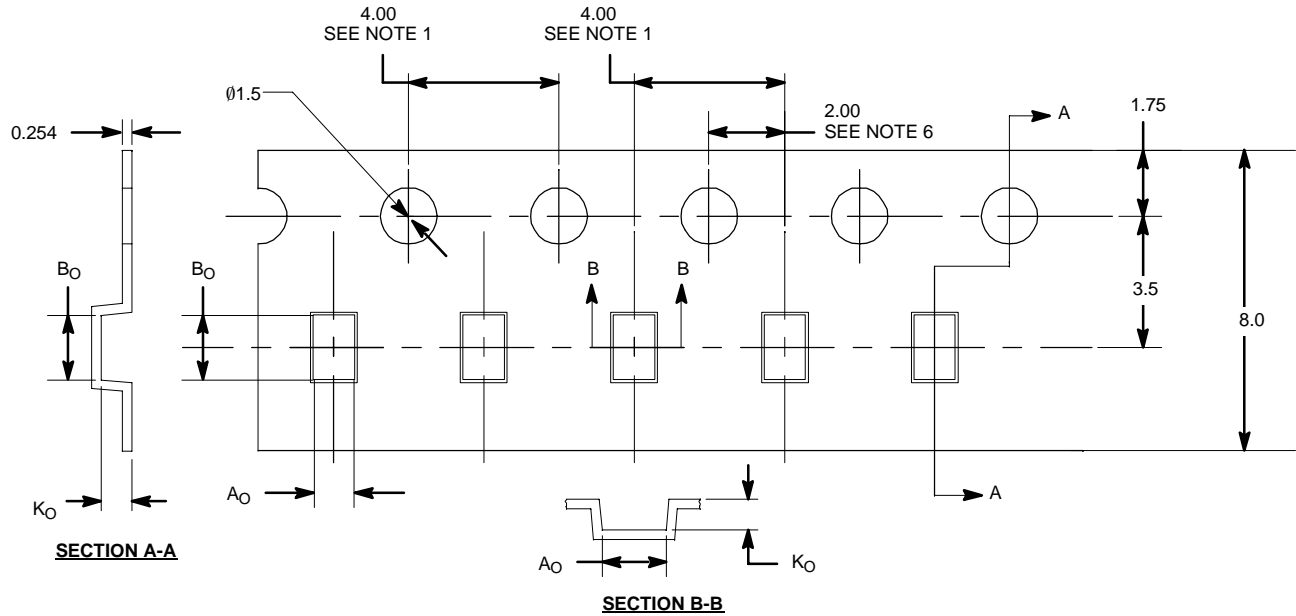


MICRO FOOT® 4 x 3: 0.5-mm PITCH, 0.238-mm BUMP HEIGHT

For Part Numbers:

DG3031DB
DG3514DB
DG3515DB
DG3516DB

DG3517DB
DG3535DB
DG3536DB



NOTES:

- 10-sprocket hole pitch cumulative tolerance ± 0.2 .
- Camber not to exceed 1 mm in 100 mm.
- Material: Black Conductive or static dissipative Polycarbonate.
- Pocket position relative to sprocket hole measured as true position of pocket, not pocket hole.
- All sizes in mm unless specified.
- Use 7" Lok reel with 12.4 mm width, (see row 2 and 7 of drawing of 93-5211-x).
- Use seal tape with 9.3 mm width, (see row 7 of drawing of 92-5210-x).

METHOD	VER	A ₀	B ₀	K ₀	REEL DIA.	LENGTH
T1	-1	1.68	2.18	0.90	178 mm	14 m approx.

QUANTITY PER REEL
3000
ECN: T-04476—Rev. D, 30-Aug-04 DWG: 93-5237-x