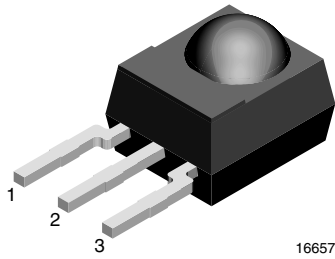
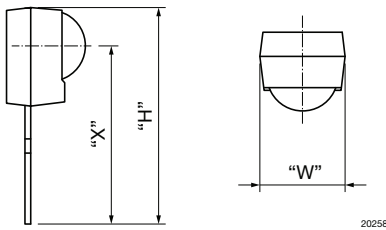


**Cut Leads:**  
**H = 18 mm, W = 6 mm, X = 15.3 mm**



**AVAILABLE FOR**

- Mold



**LINKS TO ADDITIONAL RESOURCES**



[Product Page](#)



[3D Models](#)



[Calculators](#)



[Marking](#)



[Packages](#)



[Holders](#)

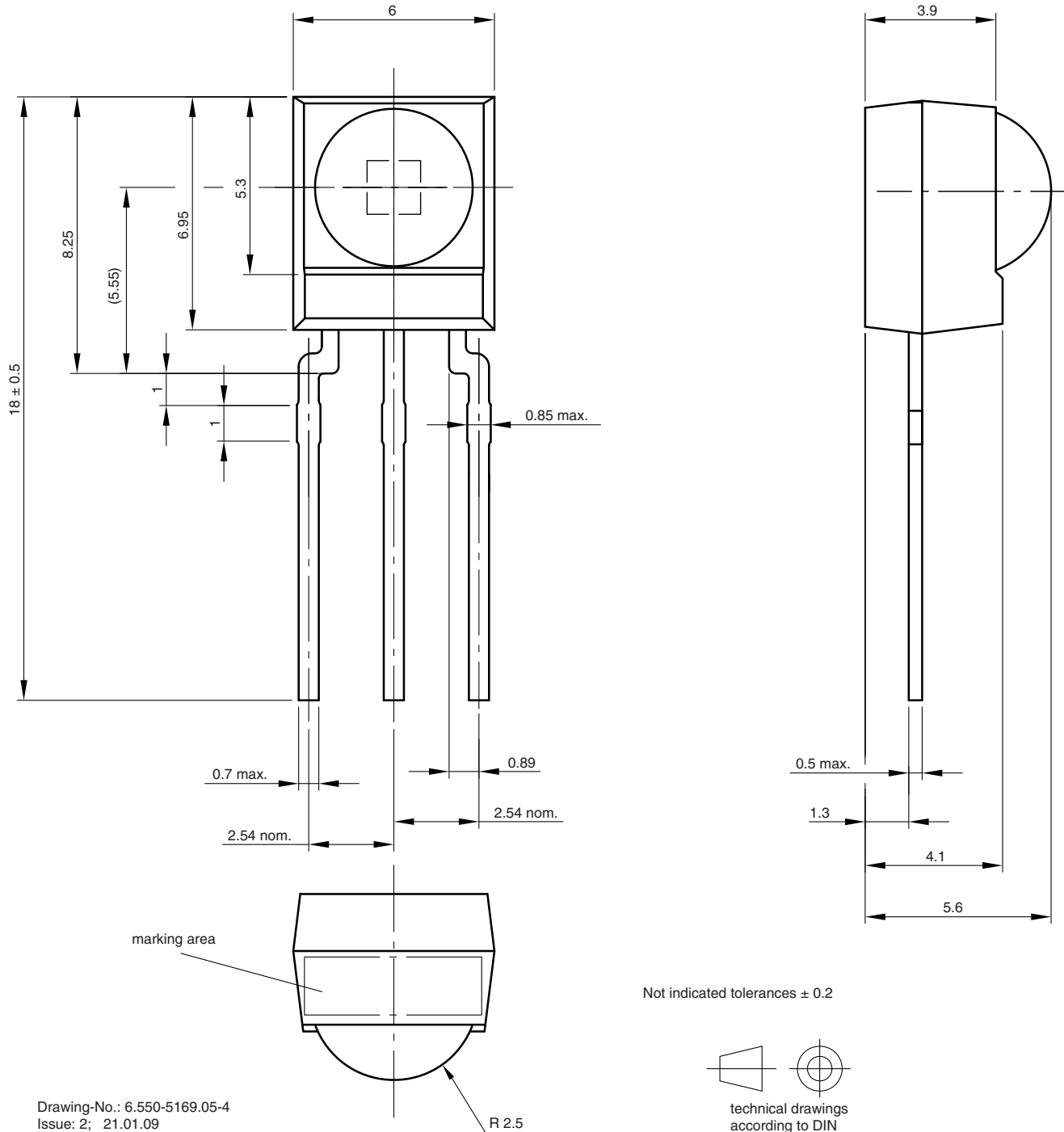


[Bends and Cuts](#)

NAME	LENS AXIS (X)	VIEW	TYPE	HEIGHT (H)	WIDTH (W)	DEPTH (D)
DB1	15.3	-	Cut	18	6	-

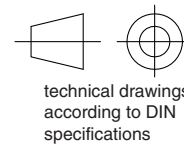


**MECHANICAL DIMENSIONS** in millimeters

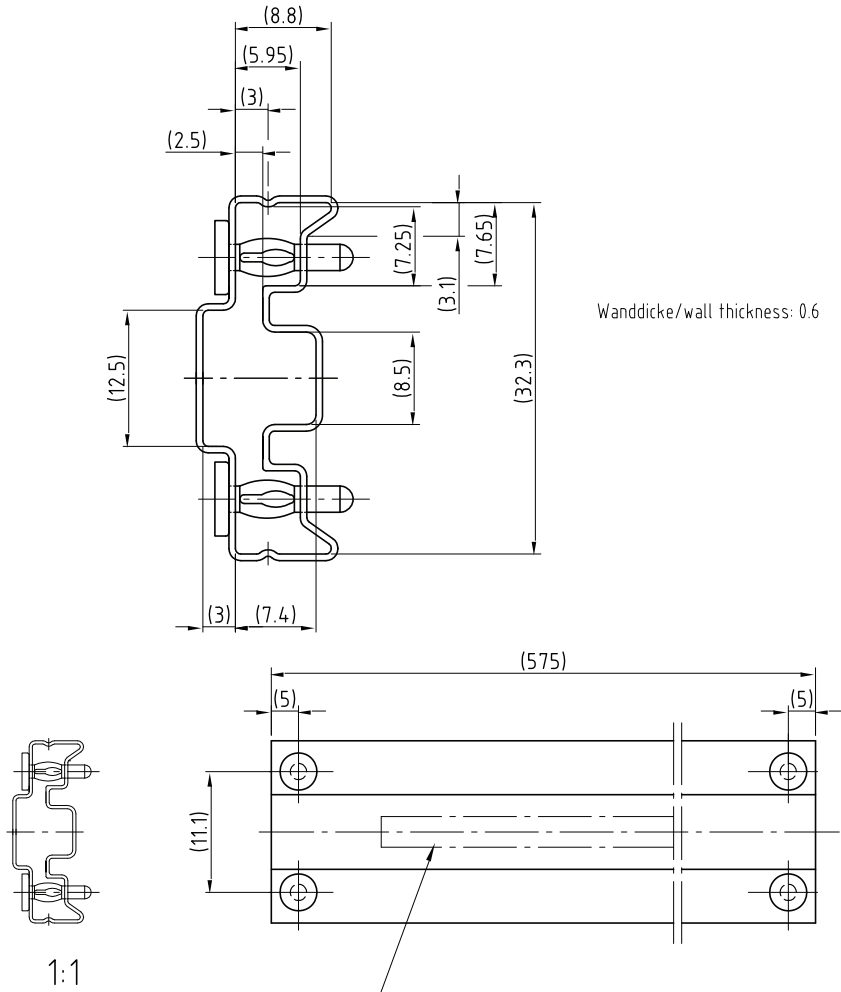


Drawing-No.: 6.550-5169.05-4  
Issue: 2; 21.01.09  
21659

Not indicated tolerances  $\pm 0.2$



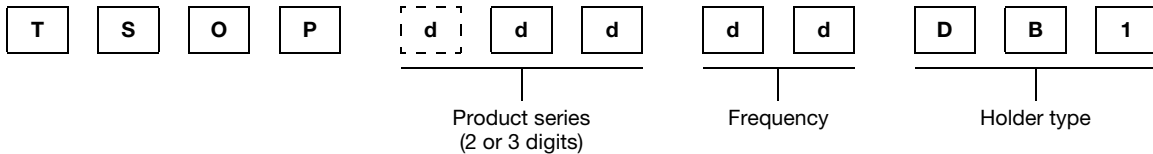
**PACKAGING DIMENSIONS** in millimeters



Drawing-No.: 9.700-5185.0-4  
 Rev. 13; Date: 20.11.03  
 20273-1

Druck / Printing for tubes  
 1.400-5548.0-3 Version 1

**ORDERING INFORMATION**



**Note**

- d = "digit", please consult the list of available series on the previous page to create a valid part number

**Example: TSOP14638DB1**

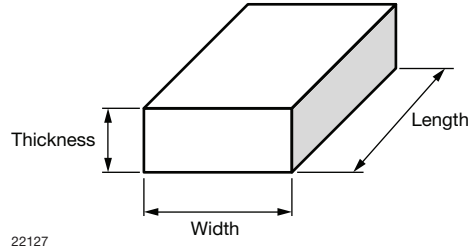
**PACKAGING QUANTITY**

- 90 pieces per tube
- 24 tubes per carton



OUTER PACKAGING

**CARTON BOX DIMENSIONS** in millimeters



KINDS OF CARTON BOX	THICKNESS	WIDTH	LENGTH
Packaging plastic tubes (normal / auxiliary devices)	80	150	600
Packaging plastic trays (devices with metal holders)	120	290	490
Tape and reel box (taping in reels)	400	310	410
Ammo-box (zigzag taping)	50	130	350