

Side View Holder: D = 9.3 mm, H = 12.7 mm, W = 7.3 mm, X = 9.6 mm



20001

FEATURES

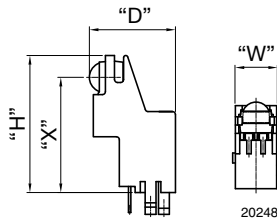
- Material categorization:
for definitions of compliance please see
www.vishay.com/doc?99912



RoHS
COMPLIANT
HALOGEN
FREE
GREEN
(5-2008)

AVAILABLE FOR

- Minicast



20248

LINKS TO ADDITIONAL RESOURCES

[Product Page](#)

[3D Models](#)

[Calculators](#)

[Marking](#)

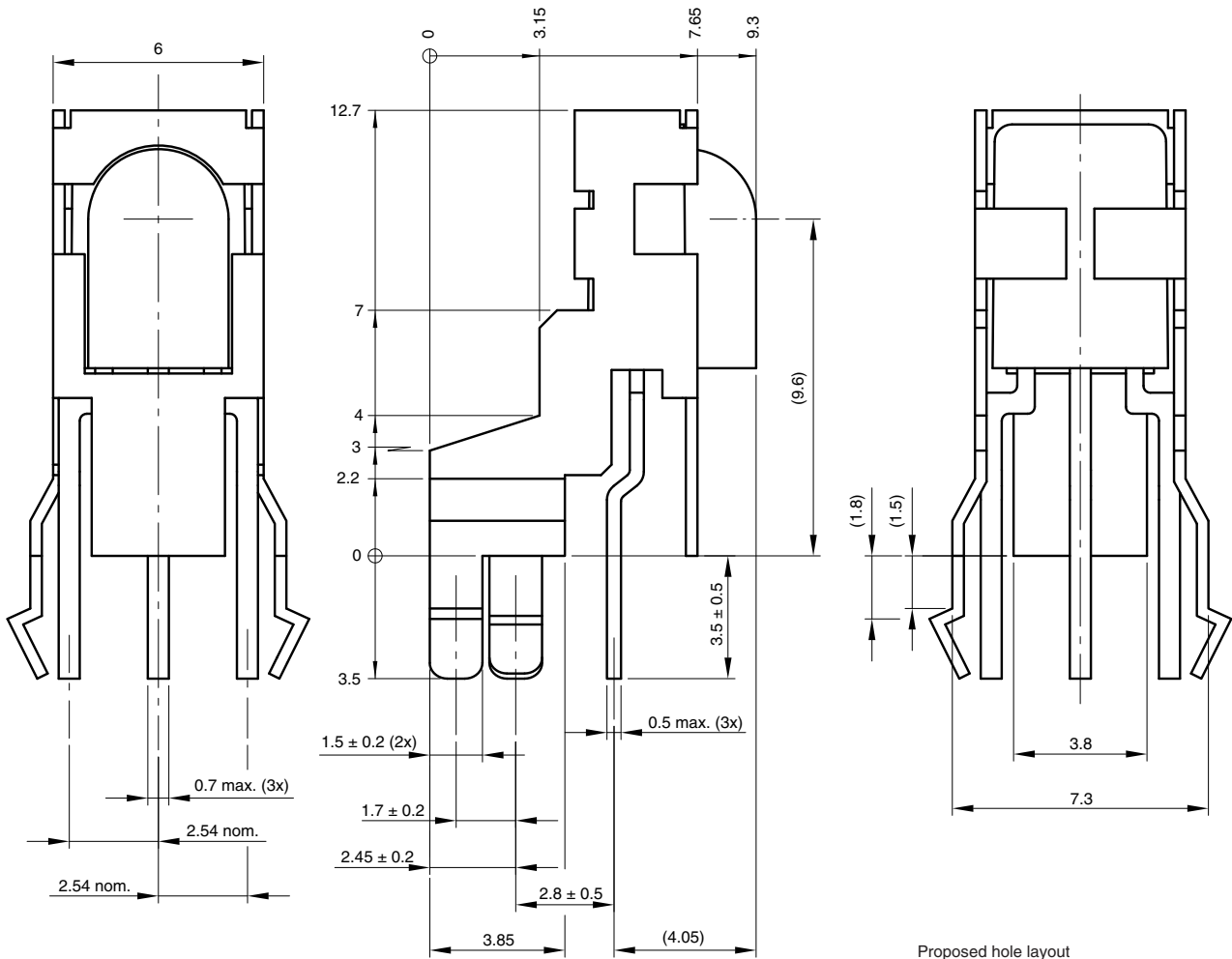
[Packages](#)

[Holders](#)

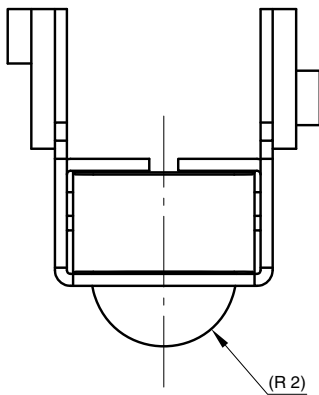
[Bends and Cuts](#)

NAME	LENS AXIS (X)	VIEW	TYPE	HEIGHT (H)	WIDTH (W)	DEPTH (D)
PC1	9.6	Side	Holder	12.7	7.3	9.3

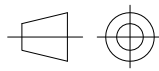
MECHANICAL DIMENSIONS in millimeters



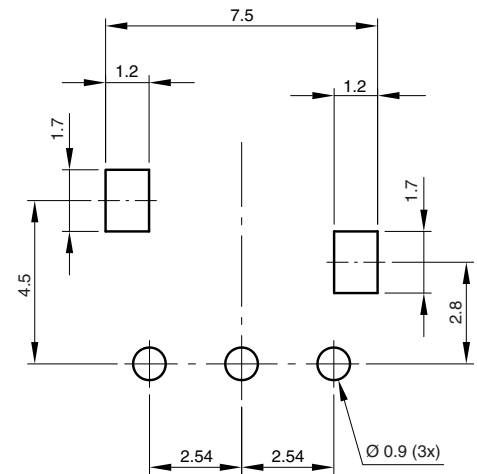
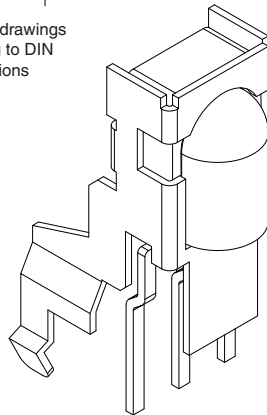
Proposed hole layout
from component side
(dim. for reference only)



Not indicated tolerances ± 0.3

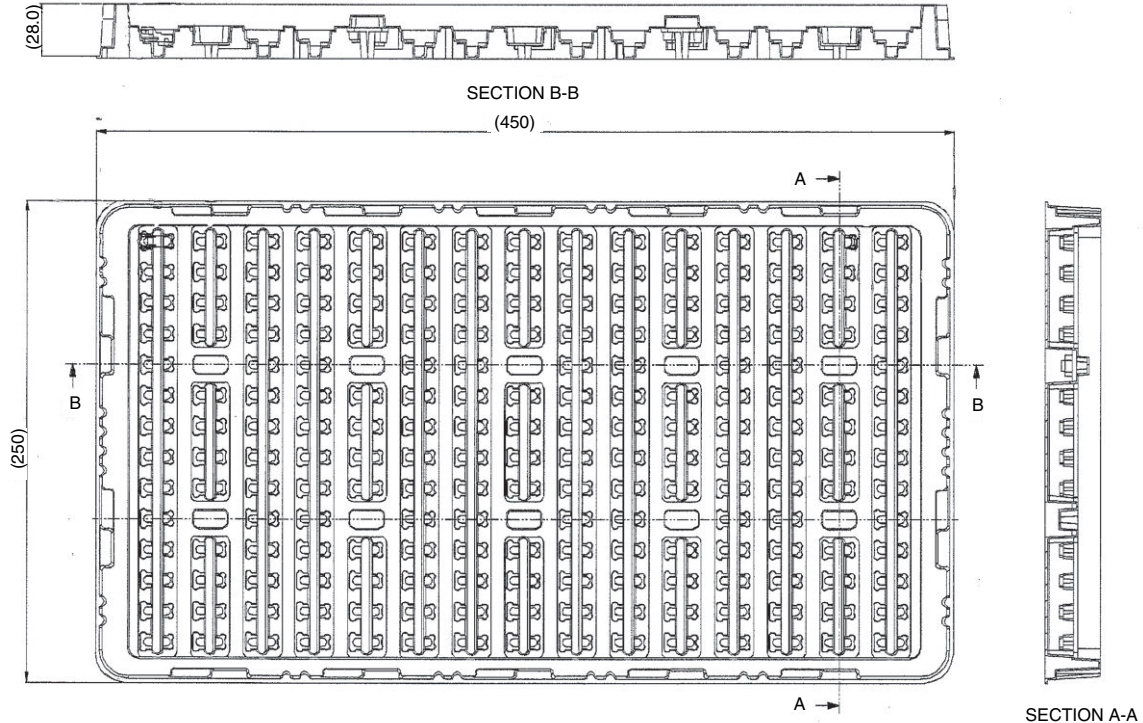


technical drawings
according to DIN
specifications



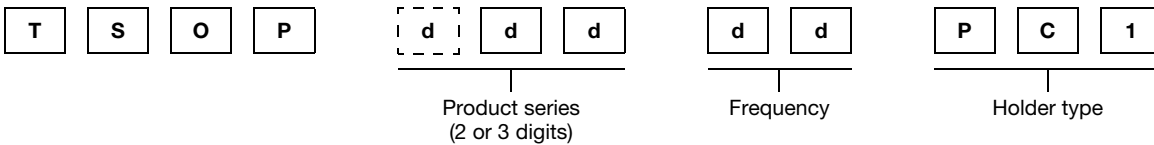
Drawing-No.: 6.550-5284.01-4
Issue: 2; 06.03.09
19991

PACKAGING DIMENSIONS in millimeters



TSOP 8... PC.
 9.700-5301.0-2
 Rev. 1 Date 25.01.06
 20246-1

ORDERING INFORMATION



Note

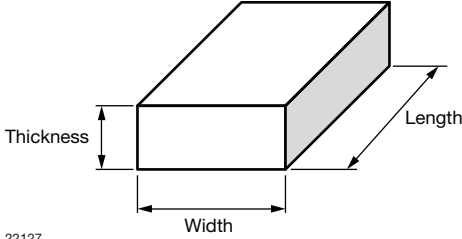
- d = "digit", please consult the list of available series on the previous page to create a valid part number

Example: TSOP58238PC1

PACKING QUANTITY

- 200 pieces per tray
- 5 trays per carton

OUTER PACKAGING

CARTON BOX DIMENSIONS in millimeters			
 <p style="text-align: center;">22127</p>			
KINDS OF CARTON BOX	THICKNESS	WIDTH	LENGTH
Packaging plastic tubes (normal / auxiliary devices)	80	150	600
Packaging plastic trays (devices with metal holders)	120	290	490
Big box (bulk packaging)	150	180	400
Secondary box (taping in reels)	400	310	410
Ammo-box (zigzag taping)	50	130	350

Vishay offers plastic and metal holder which have different characteristics:

- *Plastic Pros: nearly invisible behind the bezel*
- *Plastic Cons: cannot be reflow soldered, wave soldering deforms the hooks (visual issue only, the part is secured by the leads after soldering)*
- *Metal Pros: may be reflow and wave soldered, improves EMI and RF rejection*
- *Metal Cons: appears shiny behind the bezel, will oxidize over time (visual issue only, the holder functionality is not impaired)*