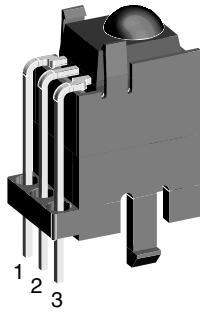


Top View Holder:

D = 11.8 mm, H = 16 mm, W = 7.4 mm, X = 16 mm



16666

FEATURES

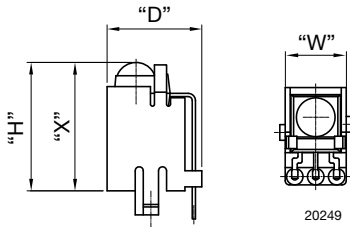
- Material categorization:
for definitions of compliance please see
www.vishay.com/doc?99912



AVAILABLE FOR

- Mold

RoHS
COMPLIANT
HALOGEN
FREE
GREEN
(5-2008)



20249

LINKS TO ADDITIONAL RESOURCES


[Product Page](#)

[3D Models](#)

[Calculators](#)

[Marking](#)

[Packages](#)

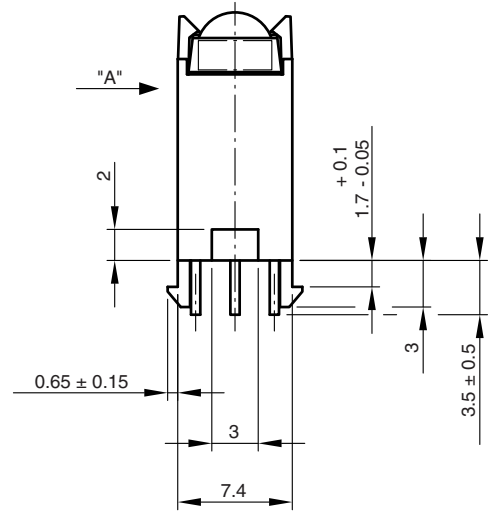
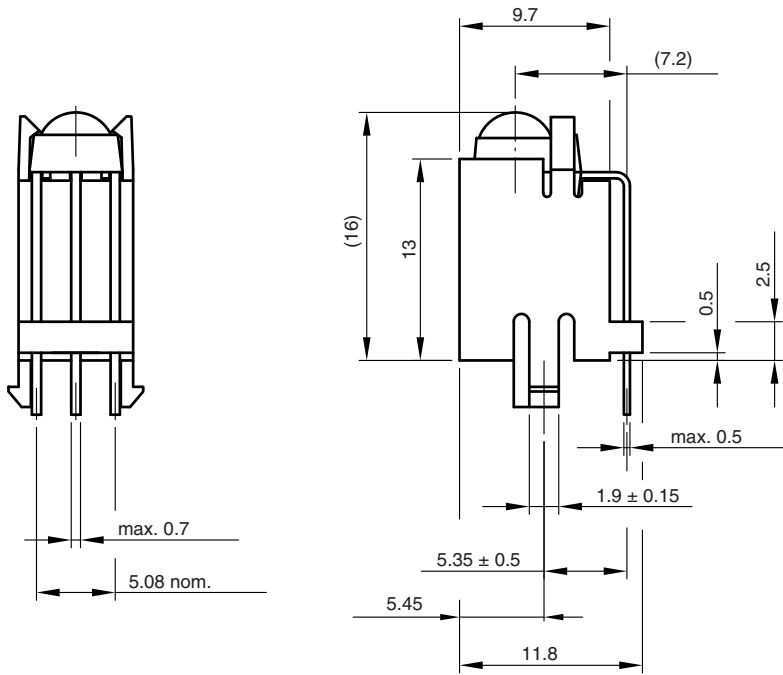
[Holders](#)

[Bends and Cuts](#)

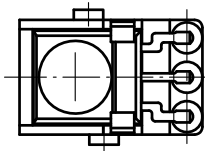
NAME	LENS AXIS (X)	VIEW	TYPE	HEIGHT (H)	WIDTH (W)	DEPTH (D)
RF1	16	Top	Holder	16	7.4	11.8



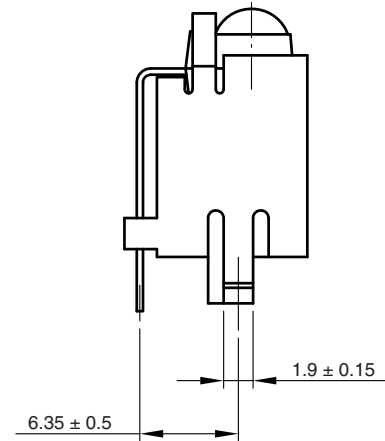
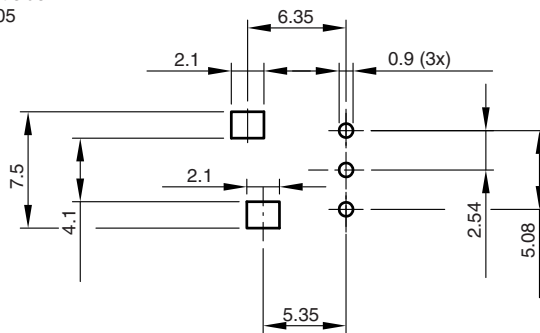
MECHANICAL DIMENSIONS in millimeters



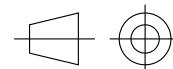
View "A"



Proposed hole layout from component side tolerances ± 0.05



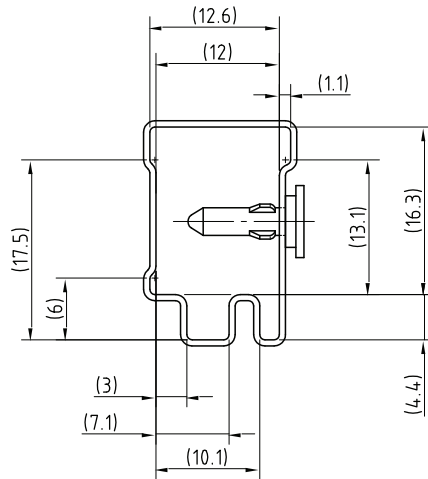
Not indicated tolerances ± 0.3



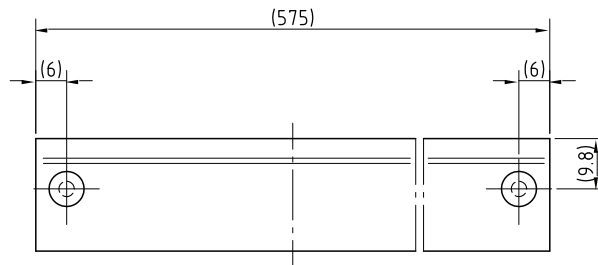
technical drawings according to DIN specifications

Drawing-No.: 6.550-5191.01-4
Issue: 4; 04.08.09
16795

PACKAGING DIMENSIONS in millimeters



Wanddicke/wall thickness: 0.6
Bohrungen durchgehend
holes on both sides



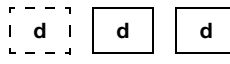
Druck / Printing for tubes
1.400-5548.0-3 Version 1

1:1

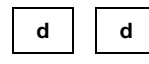
Drawing-No.: 9.700-5210.0-4
Rev. 7; Date: 20.11.03

20259-1

ORDERING INFORMATION



Product series
(2 or 3 digits)



Frequency



Holder type

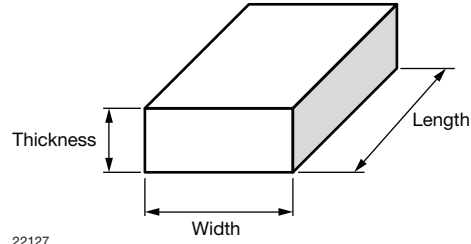
Note

- d = "digit", please consult the list of available series on the previous page to create a valid part number

Example: TSOP14238RF1

PACKAGING QUANTITY

- 68 pieces per tube
- 30 tubes per carton

OUTER PACKAGING
CARTON BOX DIMENSIONS in millimeters


KINDS OF CARTON BOX	THICKNESS	WIDTH	LENGTH
Packaging plastic tubes (normal / auxiliary devices)	80	150	600
Packaging plastic trays (devices with metal holders)	120	290	490
Tape and reel box (taping in reels)	400	310	410
Ammo-box (zigzag taping)	50	130	350

Vishay offers plastic and metal holder which have different characteristics:

- *Plastic Pros: nearly invisible behind the bezel*
- *Plastic Cons: cannot be reflow soldered, wave soldering deforms the hooks (visual issue only, the part is secured by the leads after soldering)*
- *Metal Pros: may be reflow and wave soldered, improves EMI and RF rejection*
- *Metal Cons: appears shiny behind the bezel, will oxidize over time (visual issue only, the holder functionality is not impaired)*