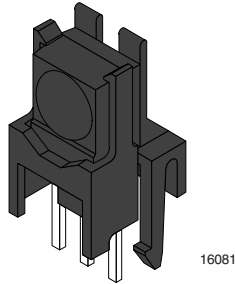


Side View Holder:

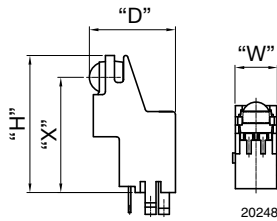
D = 9.25 mm, H = 13.2 mm, W = 7.4 mm, X = 9.6 mm


FEATURES

- Material categorization: for definitions of compliance please see www.vishay.com/doc?99912

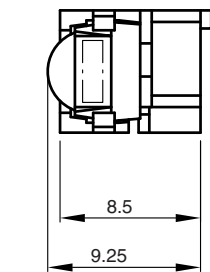
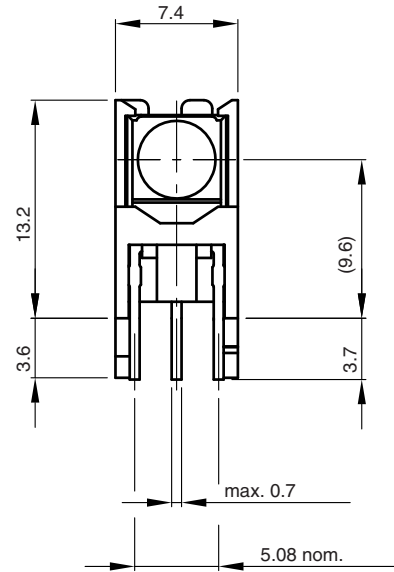
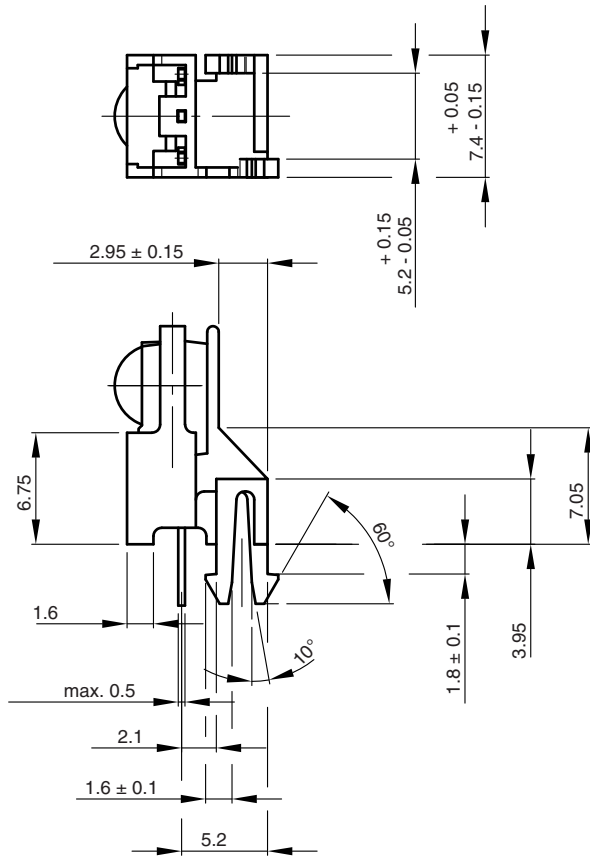

AVAILABLE FOR

- Mold


LINKS TO ADDITIONAL RESOURCES

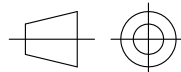

NAME	LENS AXIS (X)	VIEW	TYPE	HEIGHT (H)	WIDTH (W)	DEPTH (D)
UH1	9.6	Side	Holder	13.2	7.4	9.25

MECHANICAL DIMENSIONS in millimeters

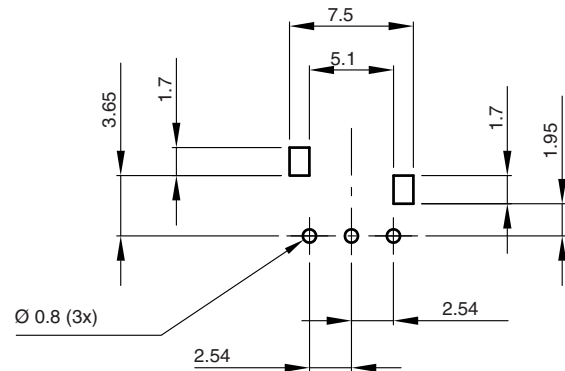


Proposed hole layout
from component side
tolerances ± 0.05

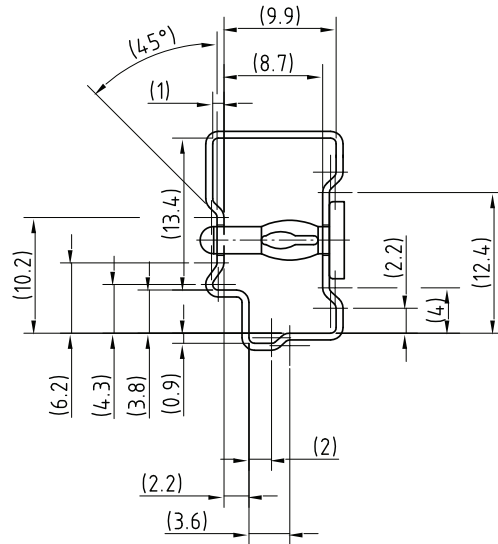
Not indicated tolerances ± 0.3



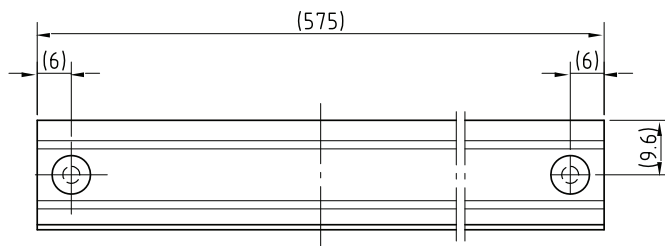
technical drawings
according to DIN
specifications



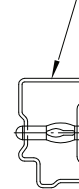
PACKAGING DIMENSIONS in millimeters



Wanddicke/wall thickness: 0.6
Bohrungen durchgehend
holes on both sides



Druck / Printing for tubes
1.400-5548.0-3 Version 1

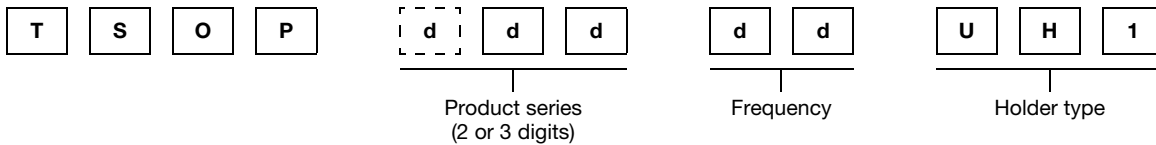


1:1

Drawing-No.: 9.700-5211.0-4
Rev. 10; Date: 20.11.03

20260-1

ORDERING INFORMATION



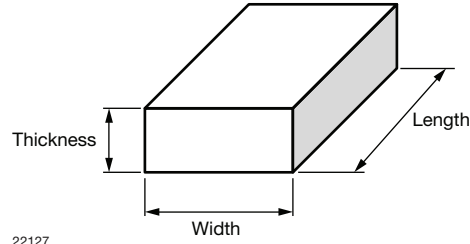
Note

- d = "digit", please consult the list of available series on the previous page to create a valid part number

Example: TSOP14238UH1

PACKING QUANTITY

- 72 pieces per tube
- 33 tubes per carton

OUTER PACKAGING
CARTON BOX DIMENSIONS in millimeters


KINDS OF CARTON BOX	THICKNESS	WIDTH	LENGTH
Packaging plastic tubes (normal / auxiliary devices)	80	150	600
Packaging plastic trays (devices with metal holders)	120	290	490
Tape and reel box (taping in reels)	400	310	410
Ammo-box (zigzag taping)	50	130	350

Vishay offers plastic and metal holder which have different characteristics:

- *Plastic Pros: nearly invisible behind the bezel*
- *Plastic Cons: cannot be reflow soldered, wave soldering deforms the hooks (visual issue only, the part is secured by the leads after soldering)*
- *Metal Pros: may be reflow and wave soldered, improves EMI and RF rejection*
- *Metal Cons: appears shiny behind the bezel, will oxidize over time (visual issue only, the holder functionality is not impaired)*