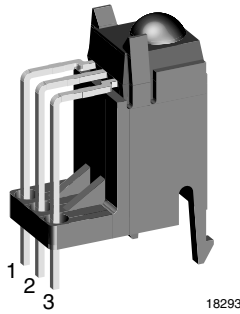


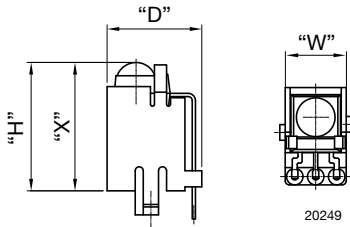
## Top View Holder: D = 14 mm, H = 16 mm, W = 7.4 mm, X = 16 mm


**FEATURES**

- Material categorization:  
for definitions of compliance please see  
[www.vishay.com/doc?99912](http://www.vishay.com/doc?99912)


**AVAILABLE FOR**

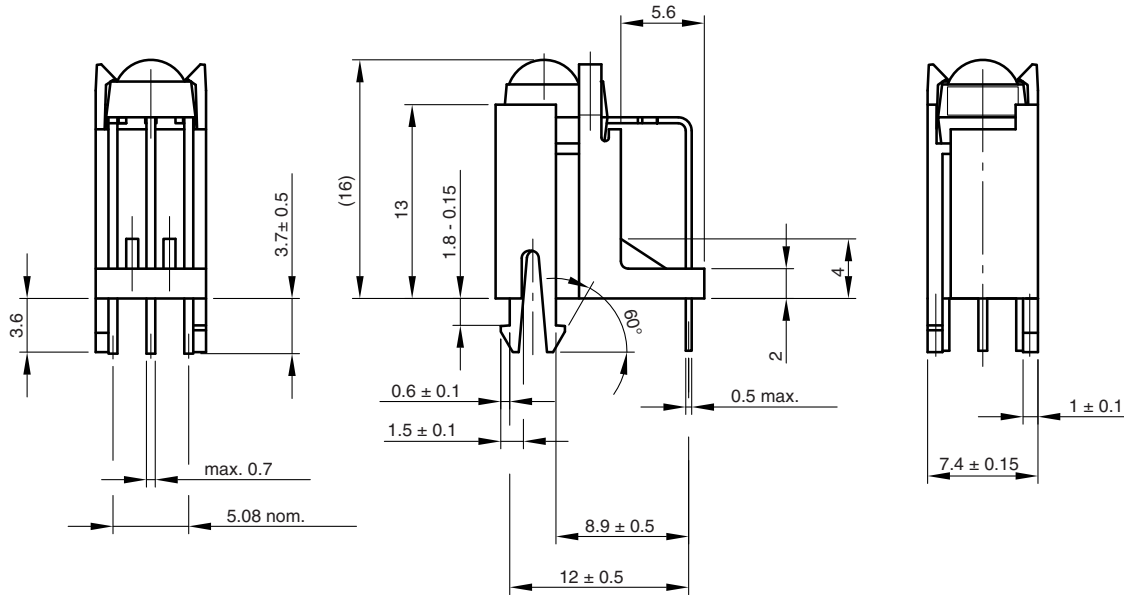
- Mold


**LINKS TO ADDITIONAL RESOURCES**


NAME	LENS AXIS (X)	VIEW	TYPE	HEIGHT (H)	WIDTH (W)	DEPTH (D)
ZC1	16	Top	Holder	16	7.4	14

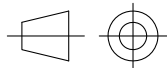


**MECHANICAL DIMENSIONS** in millimeters

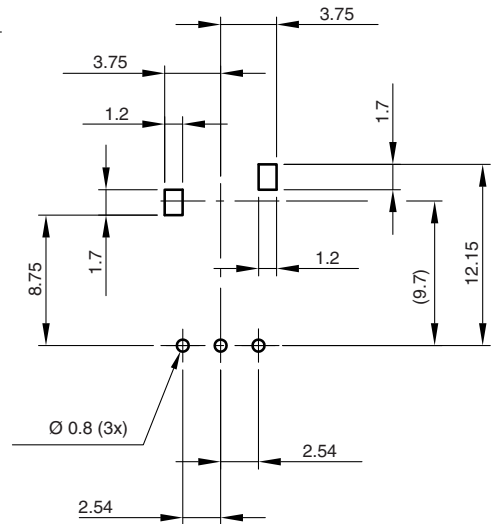
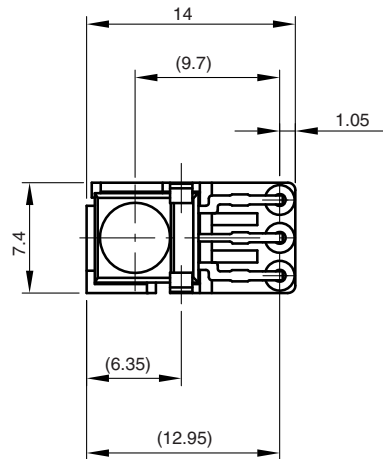


Proposed hole layout component side (for reference only)

not indicated tolerances ± 0.3

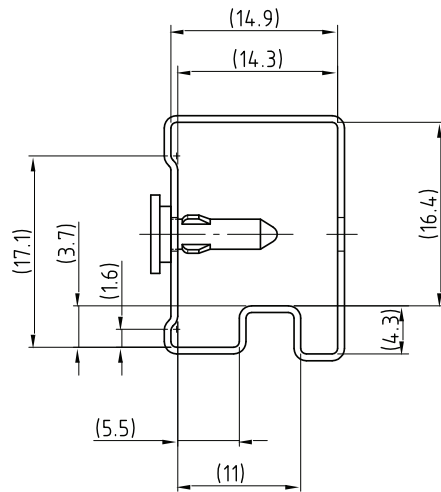


technical drawings according to DIN specifications



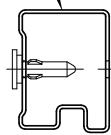
Drawing-No.: 6.550-5205.01-4  
Issue: 3; 04.08.09  
16027

**PACKAGING DIMENSIONS** in millimeters

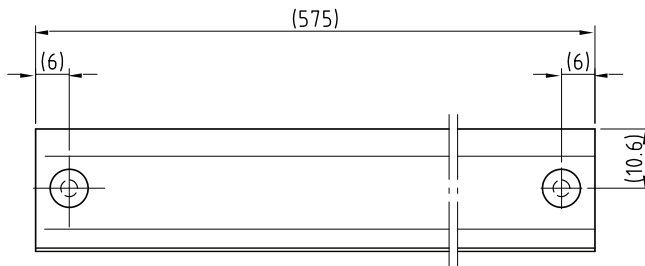


Wanddicke/wall thickness: 0.6  
Bohrungen durchgehend  
holes on both sides

Druck / Printing for tubes  
1.400-5548.0-3 Version 1



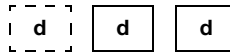
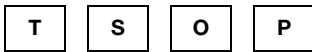
1:1



Drawing-No.: 9.700-5228.0-4  
Rev. 6; Date: 20.11.03

20266-1

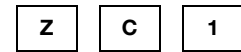
**ORDERING INFORMATION**



Product series  
(2 or 3 digits)



Frequency



Holder type

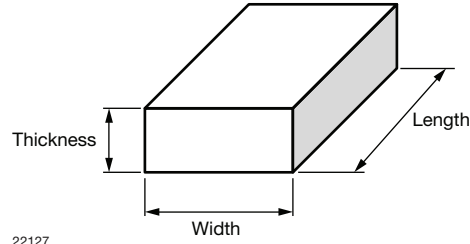
**Note**

- d = "digit", please consult the list of available series on the previous page to create a valid part number

**Example: TSOP14438ZC1**

**PACKING QUANTITY**

- 75 pieces per tube
- 27 tubes per carton

**OUTER PACKAGING**
**CARTON BOX DIMENSIONS** in millimeters


KINDS OF CARTON BOX	THICKNESS	WIDTH	LENGTH
Packaging plastic tubes (normal / auxiliary devices)	80	150	600
Packaging plastic trays (devices with metal holders)	120	290	490
Tape and reel box (taping in reels)	400	310	410
Ammo-box (zigzag taping)	50	130	350

Vishay offers plastic and metal holder which have different characteristics:

- *Plastic Pros: nearly invisible behind the bezel*
- *Plastic Cons: cannot be reflow soldered, wave soldering deforms the hooks (visual issue only, the part is secured by the leads after soldering)*
- *Metal Pros: may be reflow and wave soldered, improves EMI and RF rejection*
- *Metal Cons: appears shiny behind the bezel, will oxidize over time (visual issue only, the holder functionality is not impaired)*