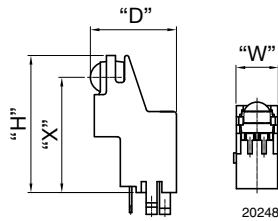
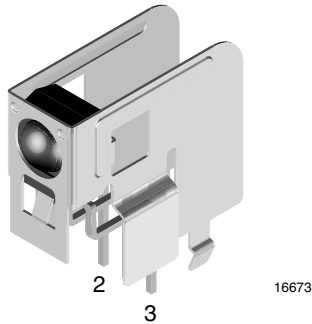


Side View Holder:

D = 19.1 mm, H = 15.5 mm, W = 9.4 mm, X = 12 mm


FEATURES

- Material categorization: for definitions of compliance please see www.vishay.com/doc?99912

AVAILABLE FOR

- Mold

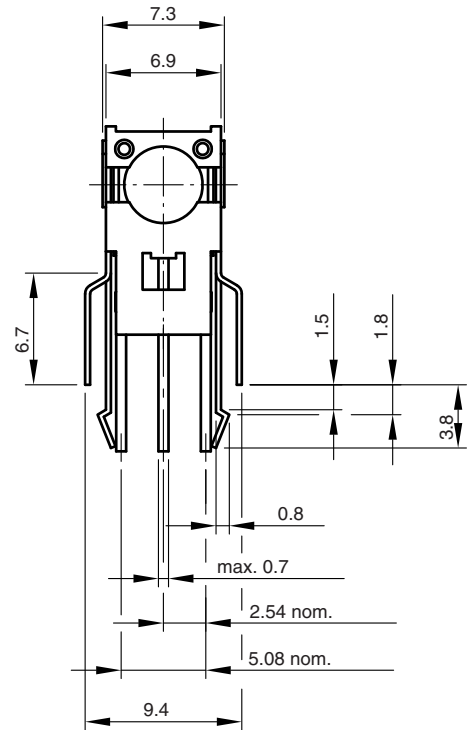
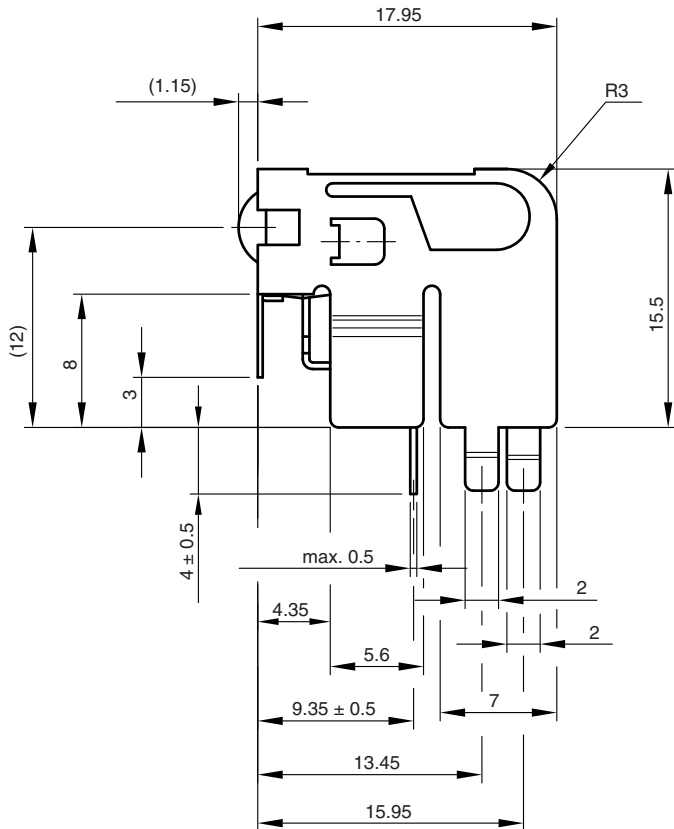


RoHS
COMPLIANT
HALOGEN
FREE
GREEN
(5-2008)

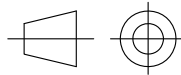
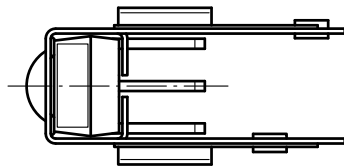
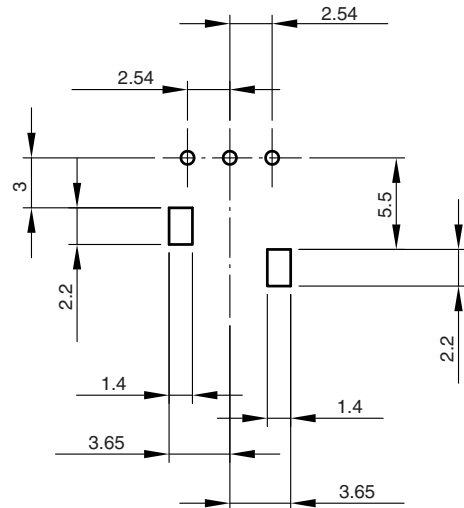
LINKS TO ADDITIONAL RESOURCES


| NAME | LENS AXIS (X) | VIEW | TYPE | HEIGHT (H) | WIDTH (W) | DEPTH (D) |
|------|---------------|------|--------|------------|-----------|-----------|
| PM1 | 12 | Side | Holder | 15.5 | 9.4 | 19.1 |

MECHANICAL DIMENSIONS in millimeters



Proposed hole layout
component side
(for reference only)

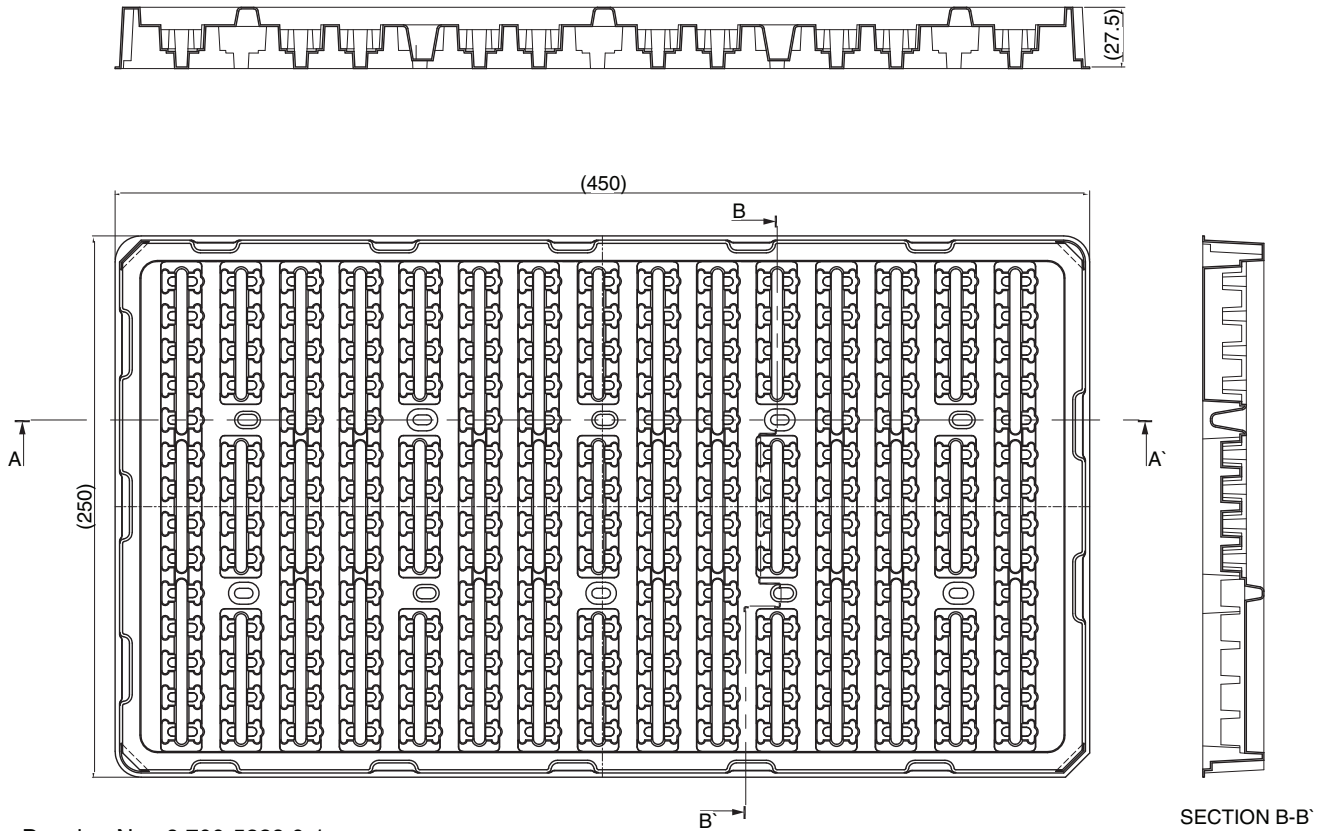


Not indicated tolerances ± 0.3

technical drawings
according to DIN
specifications

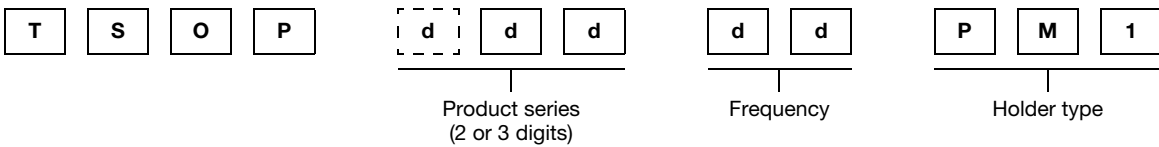
Drawing-No.: 6.550-5193.01-4
Issue: 4; 06.03.09
15839

PACKAGING DIMENSIONS in millimeters



Drawing-No.: 9.700-5229.0-1
 Rev. 2; Date: 07.07.03
 20274-1

ORDERING INFORMATION



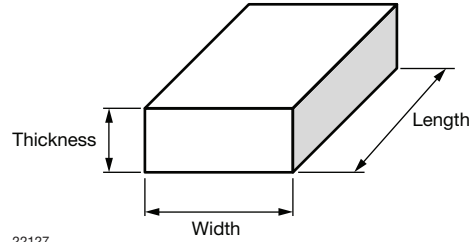
Note

- d = "digit", please consult the list of available series on the previous page to create a valid part number

Example: TSOP14238PM1

PACKING QUANTITY

- 200 pieces per tray
- 5 trays per carton

OUTER PACKAGING
CARTON BOX DIMENSIONS in millimeters


| KINDS OF CARTON BOX | THICKNESS | WIDTH | LENGTH |
|--|-----------|-------|--------|
| Packaging plastic tubes (normal / auxiliary devices) | 80 | 150 | 600 |
| Packaging plastic trays (devices with metal holders) | 120 | 290 | 490 |
| Tape and reel box (taping in reels) | 400 | 310 | 410 |
| Ammo-box (zigzag taping) | 50 | 130 | 350 |

Vishay offers plastic and metal holder which have different characteristics:

- *Plastic Pros: nearly invisible behind the bezel*
- *Plastic Cons: cannot be reflow soldered, wave soldering deforms the hooks (visual issue only, the part is secured by the leads after soldering)*
- *Metal Pros: may be reflow and wave soldered, improves EMI and RF rejection*
- *Metal Cons: appears shiny behind the bezel, will oxidize over time (visual issue only, the holder functionality is not impaired)*