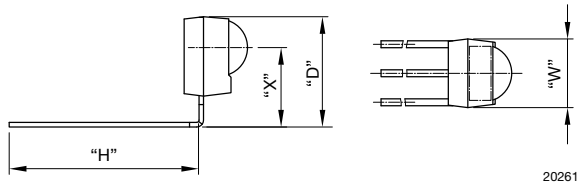
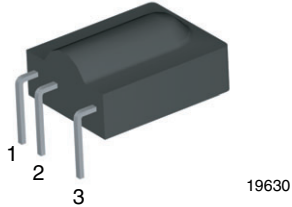


## Bent Leads:

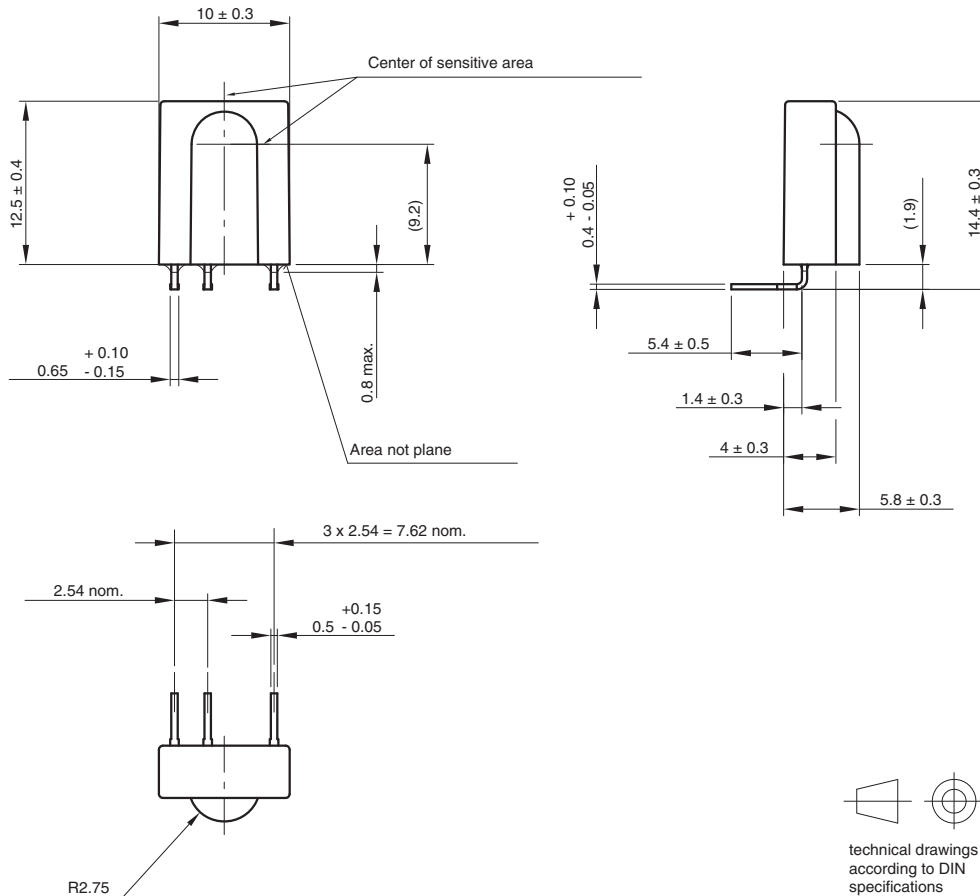
### $D = 14.4 \text{ mm}$ , $H = 5.4 \text{ mm}$ , $W = 10 \text{ mm}$ , $X = 11.1 \text{ mm}$

**AVAILABLE FOR**

- Cast

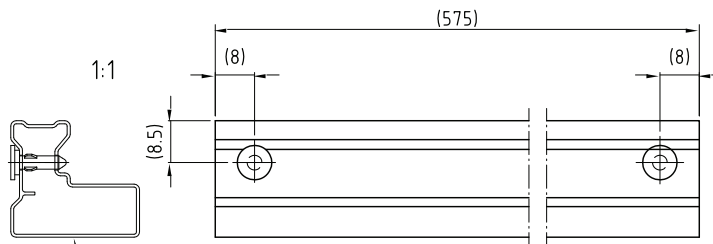
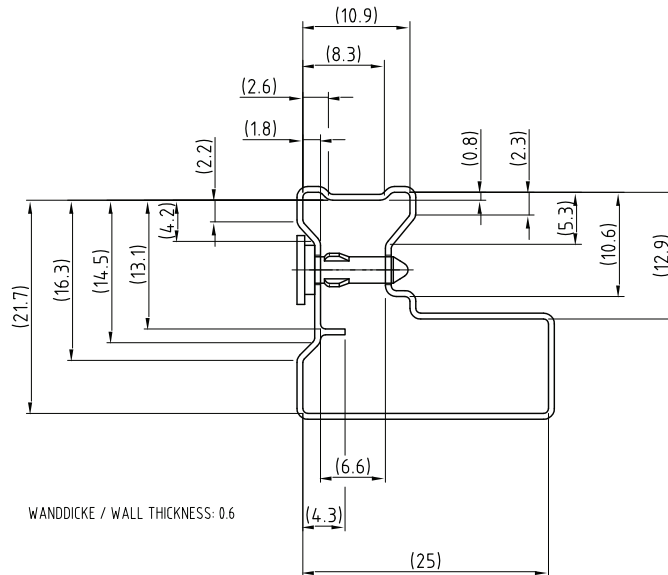


NAME	LENS AXIS (X)	VIEW	TYPE	HEIGHT (H)	WIDTH (W)	DEPTH (D)
SR1	11.1	-	Bend	5.4	10	14.4

**MECHANICAL DIMENSIONS** in millimeters


Drawing-No.: 6.550-5112.07-4  
 Issue: 7; 04.08.09  
 19627

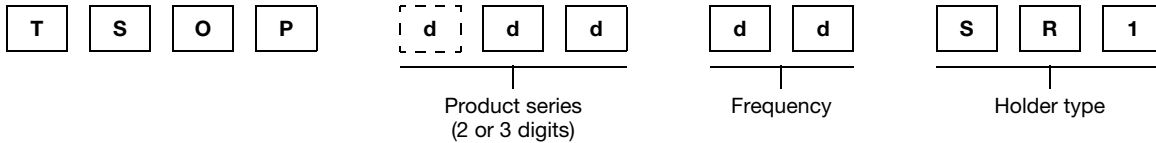
**PACKAGING DIMENSIONS** in millimeters



Druck / Printing for tubes  
1400-5548.0-3 Version 1

Drawing-No.: 9.700-5158.0-4  
Rev. 9; Date: 20.11.03  
20309-1

**ORDERING INFORMATION**



**Note**

- d = "digit", please consult the list of available series on the previous page to create a valid part number

**Example: TSOP31238SR1**

**PACKING QUANTITY**

- 54 pieces per tube
- 20 tubes per carton