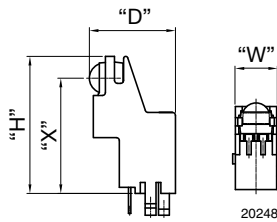


Side View Holder: D = 8.25 mm, H = 19.6 mm, W = 7.2 mm, X = 16 mm



20212



20248

FEATURES

- Material categorization: for definitions of compliance please see www.vishay.com/doc?99912


AVAILABLE FOR

- Minicast


LINKS TO ADDITIONAL RESOURCES

[Product Page](#)

[3D Models](#)

[Calculators](#)

[Marking](#)

[Packages](#)

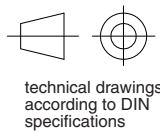
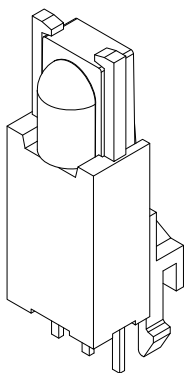
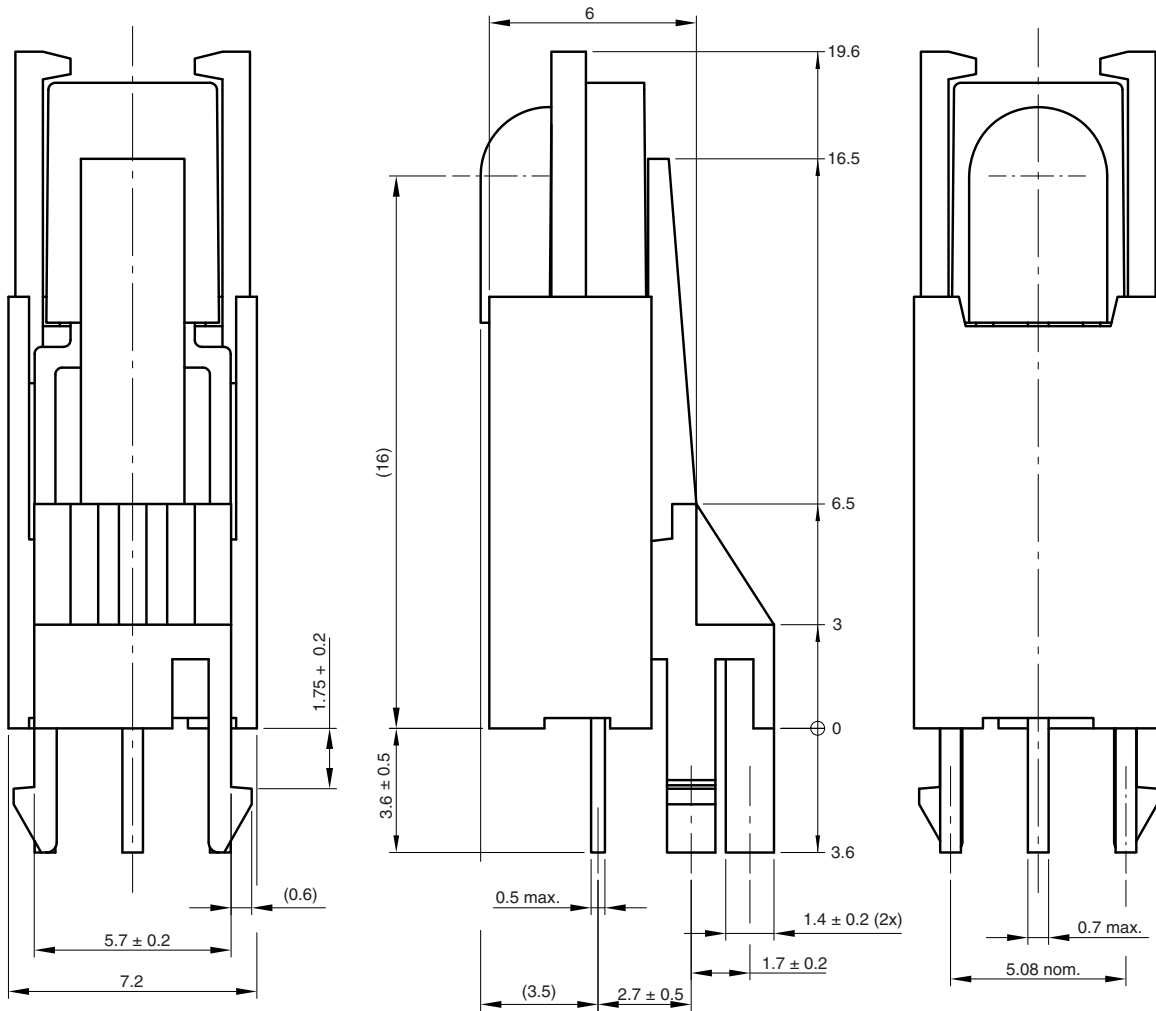
[Holders](#)

[Bends and Cuts](#)

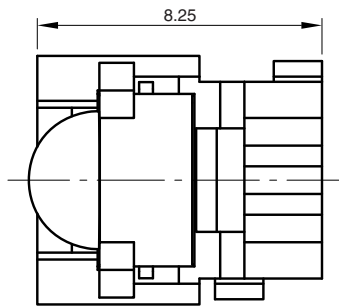
NAME	LENS AXIS (X)	VIEW	TYPE	HEIGHT (H)	WIDTH (W)	DEPTH (D)
ES1	16	Side	Holder	19.6	7.2	8.25



MECHANICAL DIMENSIONS in millimeters

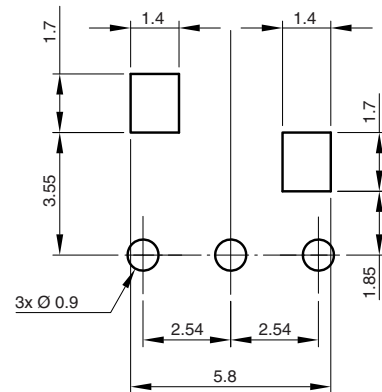


technical drawings according to DIN specifications



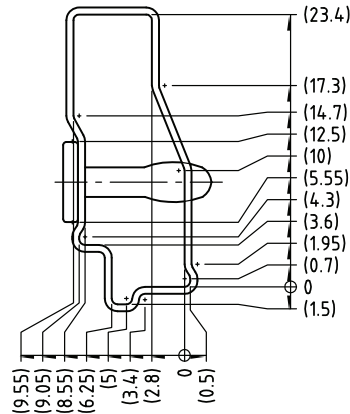
Not indicated tolerances ± 0.3

Proposed hole layout from component side (for reference only)



Drawing-No.: 6.550-5287.01-4
Issue: 3; 06.03.09
20211

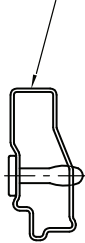
PACKAGING DIMENSIONS in millimeters



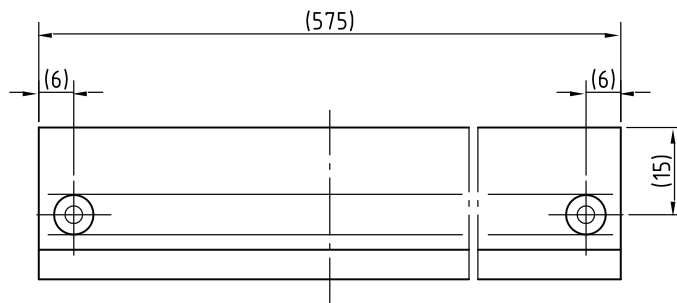
Wanddicke/wall thickness: 0.6

Bohrungen durchgehend
holes on both sides

Druck / Printing for tubes
1.400-5548.0-3 Version 1

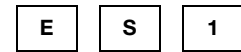
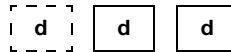


1:1



9.700-5308.0-4
Rev. 1
20355

ORDERING INFORMATION



Product series
(2 or 3 digits)

Frequency

Holder type

Note

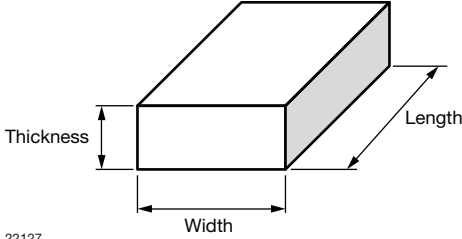
- d = "digit", please consult the list of available series on the previous page to create a valid part number

Example: TSOP19238ES1

PACKING QUANTITY

- 75 pieces per tube
- 30 tubes per carton

OUTER PACKAGING

CARTON BOX DIMENSIONS in millimeters			
 <p style="text-align: center;">22127</p>			
KINDS OF CARTON BOX	THICKNESS	WIDTH	LENGTH
Packaging plastic tubes (normal / auxiliary devices)	80	150	600
Packaging plastic trays (devices with metal holders)	120	290	490
Big box (bulk packaging)	150	180	400
Secondary box (taping in reels)	400	310	410
Ammo-box (zigzag taping)	50	130	350

Vishay offers plastic and metal holder which have different characteristics:

- *Plastic Pros: nearly invisible behind the bezel*
- *Plastic Cons: cannot be reflow soldered, wave soldering deforms the hooks (visual issue only, the part is secured by the leads after soldering)*
- *Metal Pros: may be reflow and wave soldered, improves EMI and RF rejection*
- *Metal Cons: appears shiny behind the bezel, will oxidize over time (visual issue only, the holder functionality is not impaired)*