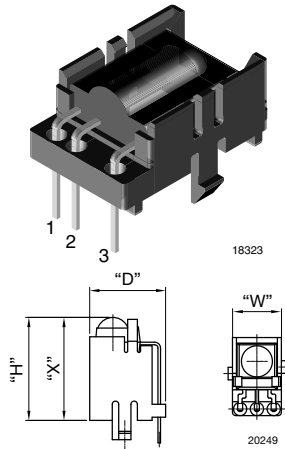


## Top View Holder:

### D = 20 mm, H = 8.5 mm, W = 12.5 mm, X = 8.5 mm


**FEATURES**

- Material categorization: for definitions of compliance please see [www.vishay.com/doc?99912](http://www.vishay.com/doc?99912)

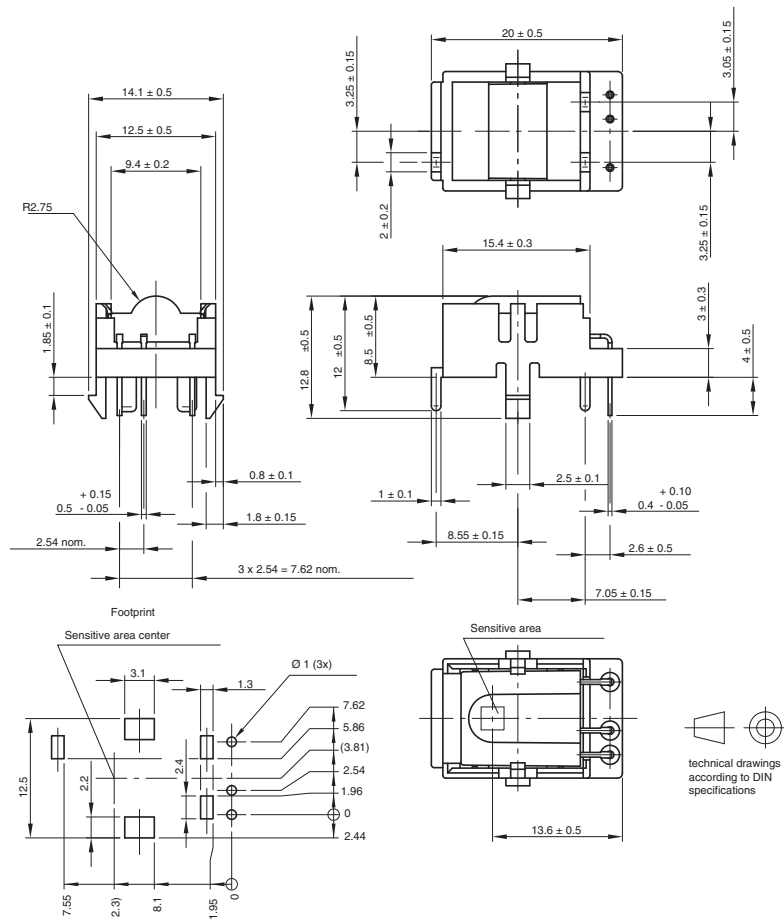


**RoHS**  
COMPLIANT  
HALOGEN  
**FREE**  
**GREEN**  
(5-2008)

**AVAILABLE FOR**

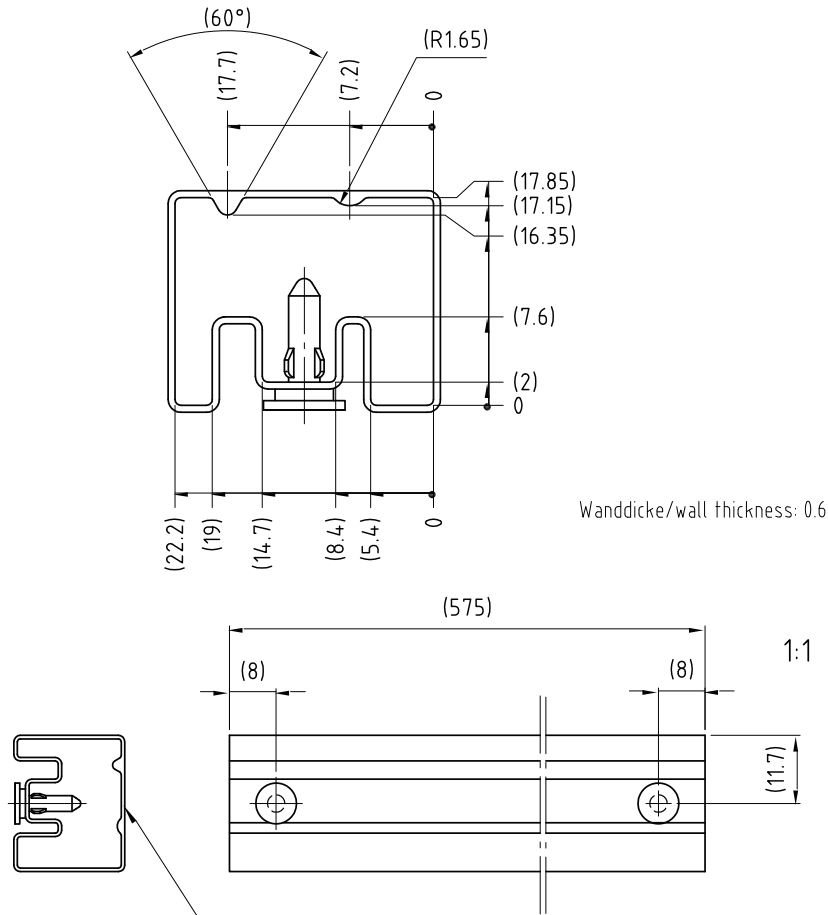
- Cast

NAME	LENS AXIS (X)	VIEW	TYPE	HEIGHT (H)	WIDTH (W)	DEPTH (D)
UQ1	8.5	Top	Holder	8.5	12.5	20

**MECHANICAL DIMENSIONS** in millimeters


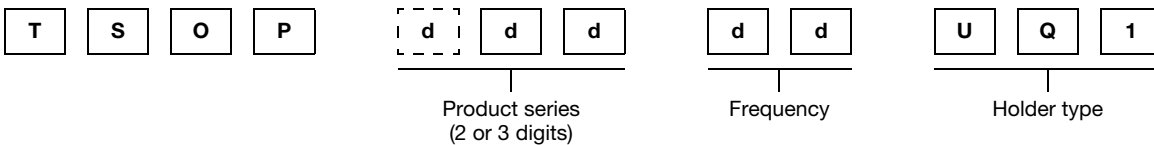
Drawing-No.: 6.550-5137.02-4  
Issue: 3; 04.08.09  
20373

**PACKAGING DIMENSIONS** in millimeters



Druck / Printing for tubes  
1.400-5548.0-3 Version 1  
Drawing-No.: 9.700-5166.0-4  
Rev. 8; Date: 20.11.03  
20311-1

**ORDERING INFORMATION**



**Note**

- d = "digit", please consult the list of available series on the previous page to create a valid part number

**Example: TSOP31238UQ1**

**PACKING QUANTITY**

- 41 pieces per tube
- 24 tubes per carton

Vishay offers plastic and metal holder which have different characteristics:

- Plastic Pros: nearly invisible behind the bezel
- Plastic Cons: cannot be reflow soldered, wave soldering deforms the hooks (visual issue only, the part is secured by the leads after soldering)
- Metal Pros: may be reflow and wave soldered, improves EMI and RF rejection
- Metal Cons: appears shiny behind the bezel, will oxidize over time (visual issue only, the holder functionality is not impaired)