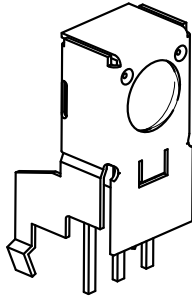


## Side View Holder: D = 9.2 mm, H = 13.2 mm, W = 7.4 mm, X = 9.6 mm



21377

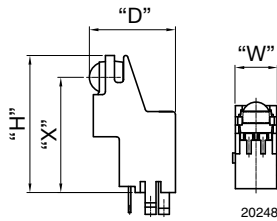
### FEATURES

- Material categorization:  
for definitions of compliance please see  
[www.vishay.com/doc?99912](http://www.vishay.com/doc?99912)



### AVAILABLE FOR

- Mold



20248

### LINKS TO ADDITIONAL RESOURCES


[Product Page](#)

[3D Models](#)

[Calculators](#)

[Marking](#)

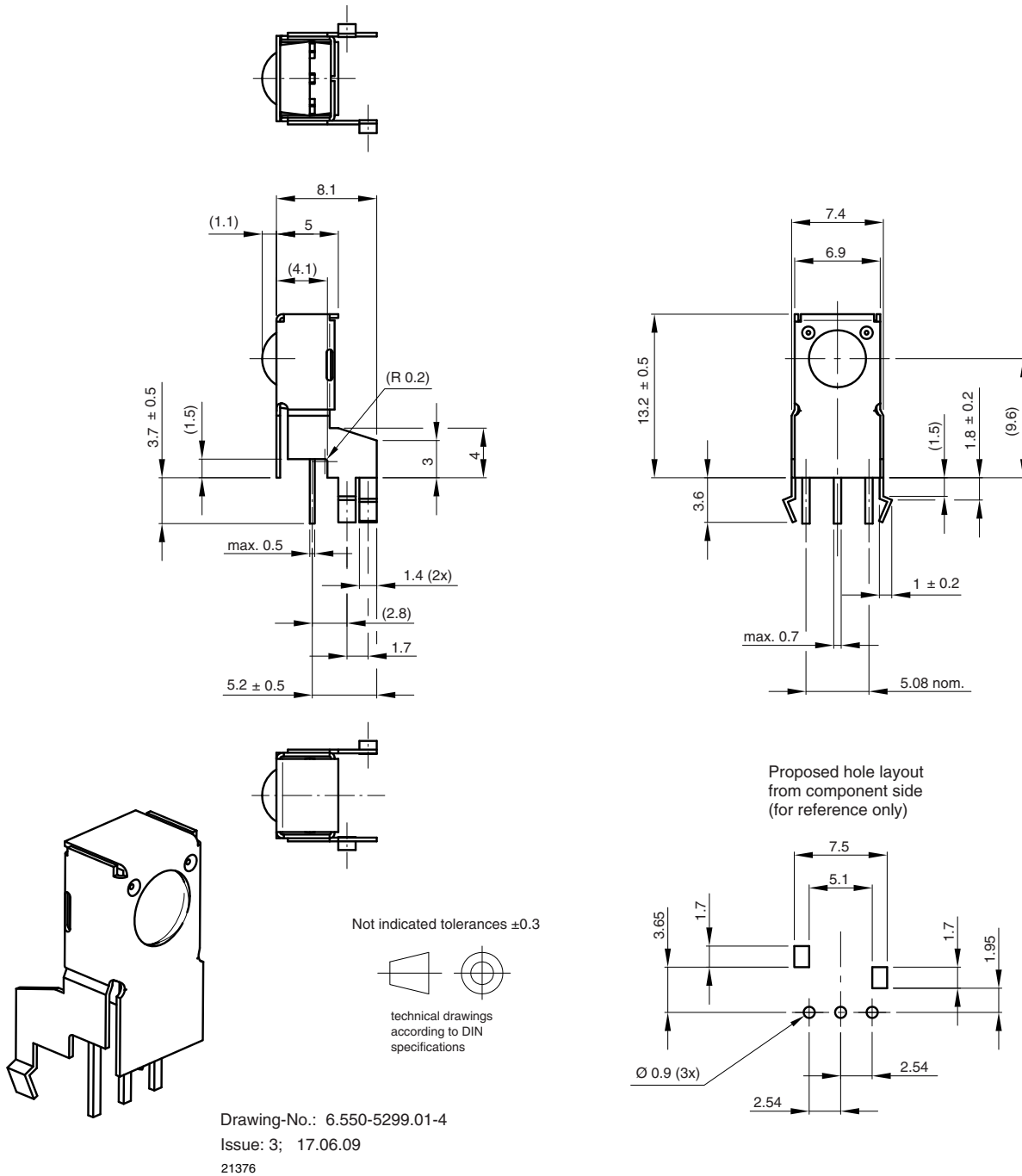
[Packages](#)

[Holders](#)

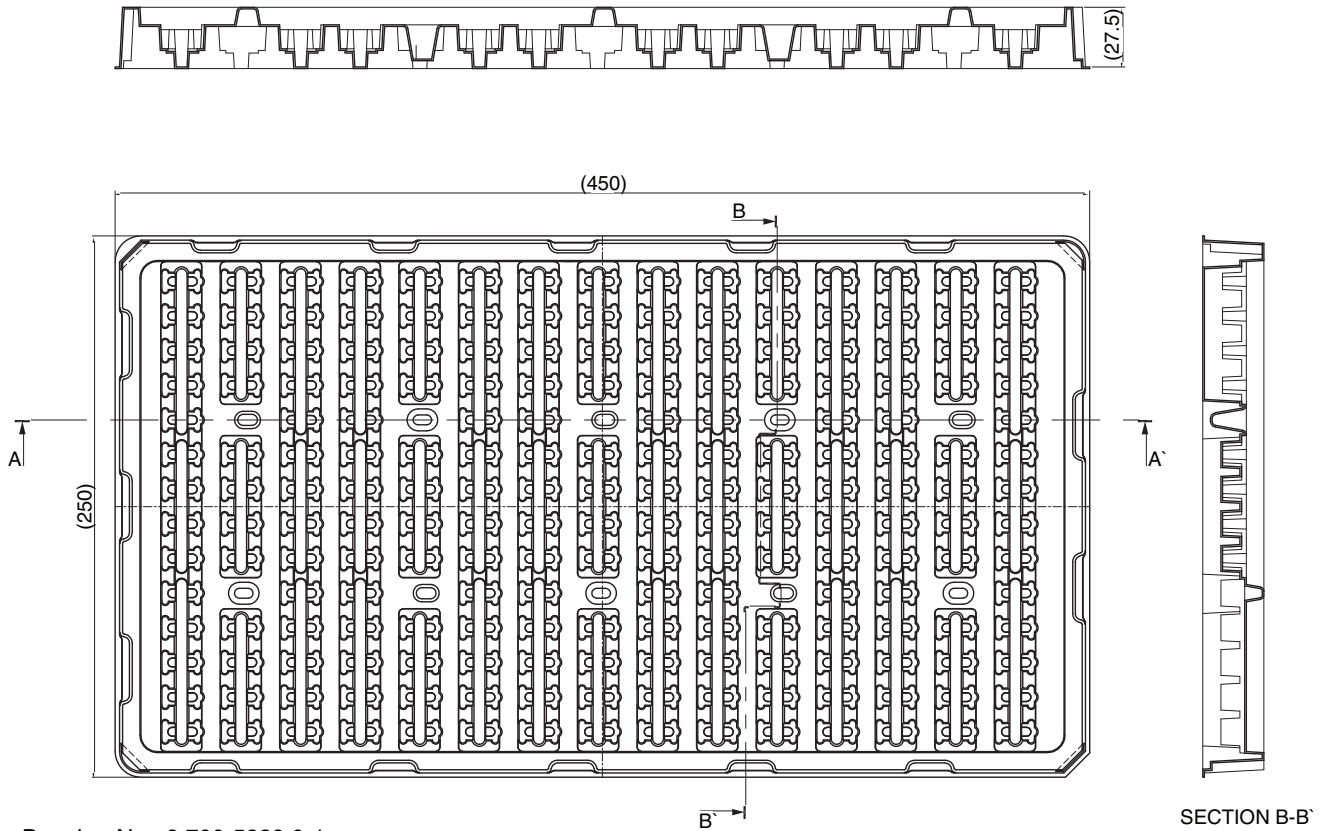
[Bends and Cuts](#)

NAME	LENS AXIS (X)	VIEW	TYPE	HEIGHT (H)	WIDTH (W)	DEPTH (D)
JK1	9.6	Side	Holder	13.2	7.4	9.2

**MECHANICAL DIMENSIONS** in millimeters

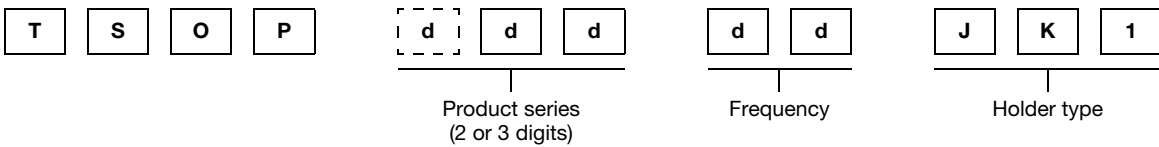


**PACKAGING DIMENSIONS** in millimeters



Drawing-No.: 9.700-5229.0-1  
 Rev. 2; Date: 07.07.03  
 20274-1

**ORDERING INFORMATION**



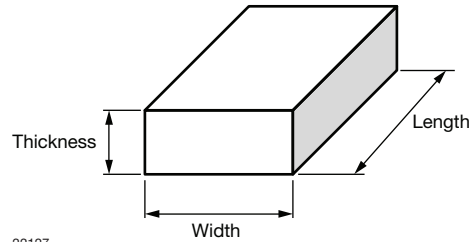
**Note**

- d = "digit", please consult the list of available series on the previous page to create a valid part number

**Example: TSOP34838JK1**

**PACKING QUANTITY**

- 200 pieces per tray
- 5 trays per carton

**OUTER PACKAGING**
**CARTON BOX DIMENSIONS** in millimeters


KINDS OF CARTON BOX	THICKNESS	WIDTH	LENGTH
Packaging plastic tubes (normal / auxiliary devices)	80	150	600
Packaging plastic trays (devices with metal holders)	120	290	490
Tape and reel box (taping in reels)	400	310	410
Ammo-box (zigzag taping)	50	130	350

Vishay offers plastic and metal holder which have different characteristics:

- *Plastic Pros: nearly invisible behind the bezel*
- *Plastic Cons: cannot be reflow soldered, wave soldering deforms the hooks (visual issue only, the part is secured by the leads after soldering)*
- *Metal Pros: may be reflow and wave soldered, improves EMI and RF rejection*
- *Metal Cons: appears shiny behind the bezel, will oxidize over time (visual issue only, the holder functionality is not impaired)*