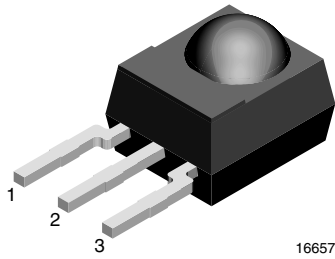
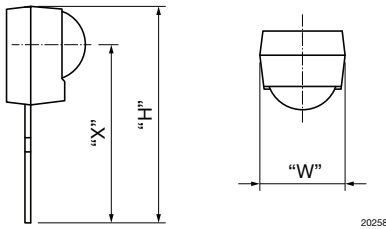


Cut Leads:
H = 11.75 mm, W = 6 mm, X = 9.05 mm



AVAILABLE FOR

- Mold

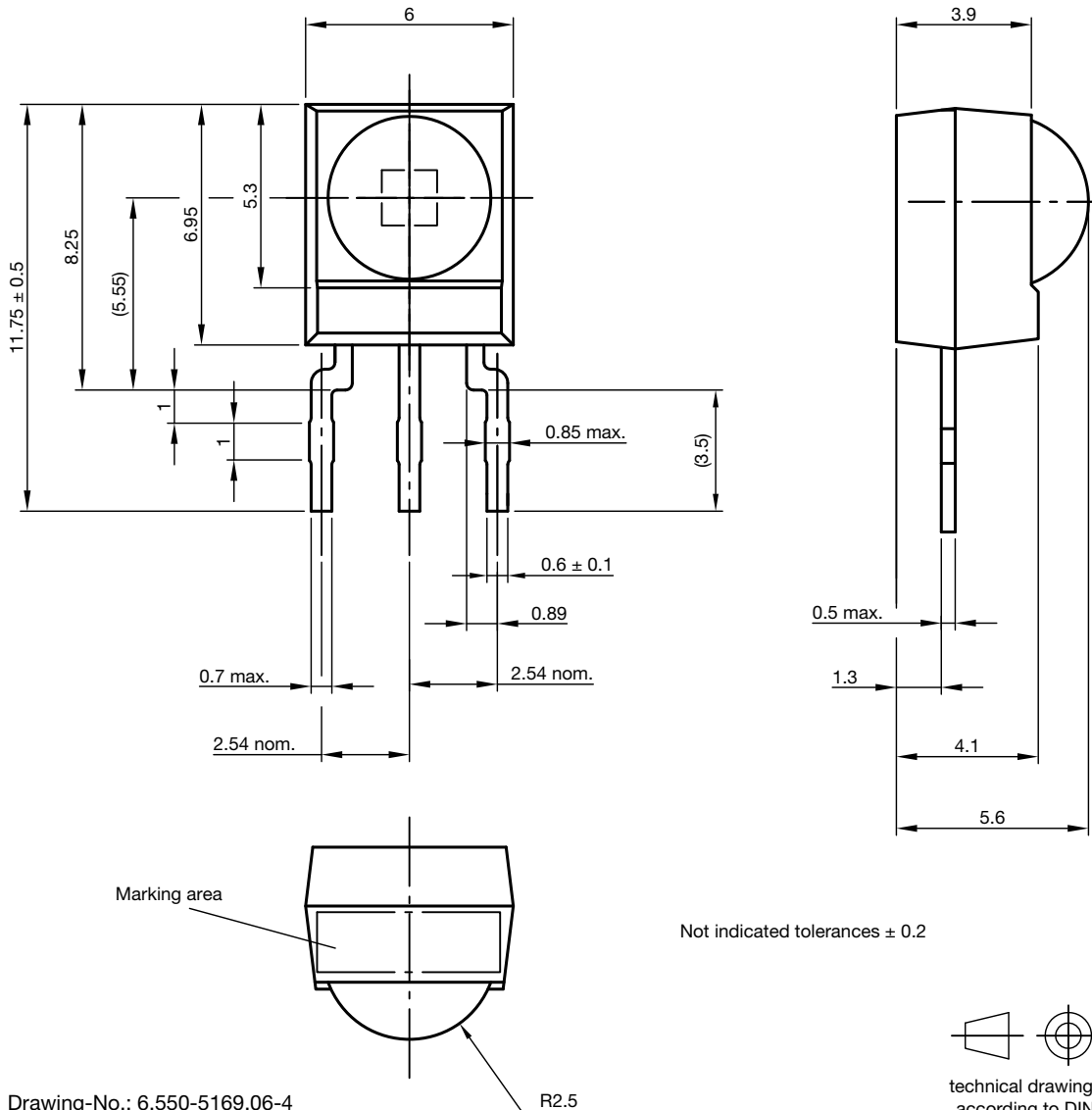


LINKS TO ADDITIONAL RESOURCES

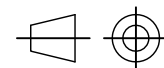


NAME	LENS AXIS (X)	VIEW	TYPE	HEIGHT (H)	WIDTH (W)	DEPTH (D)
DM1	9.05	-	Cut	11.75	6	-

MECHANICAL DIMENSIONS in millimeters



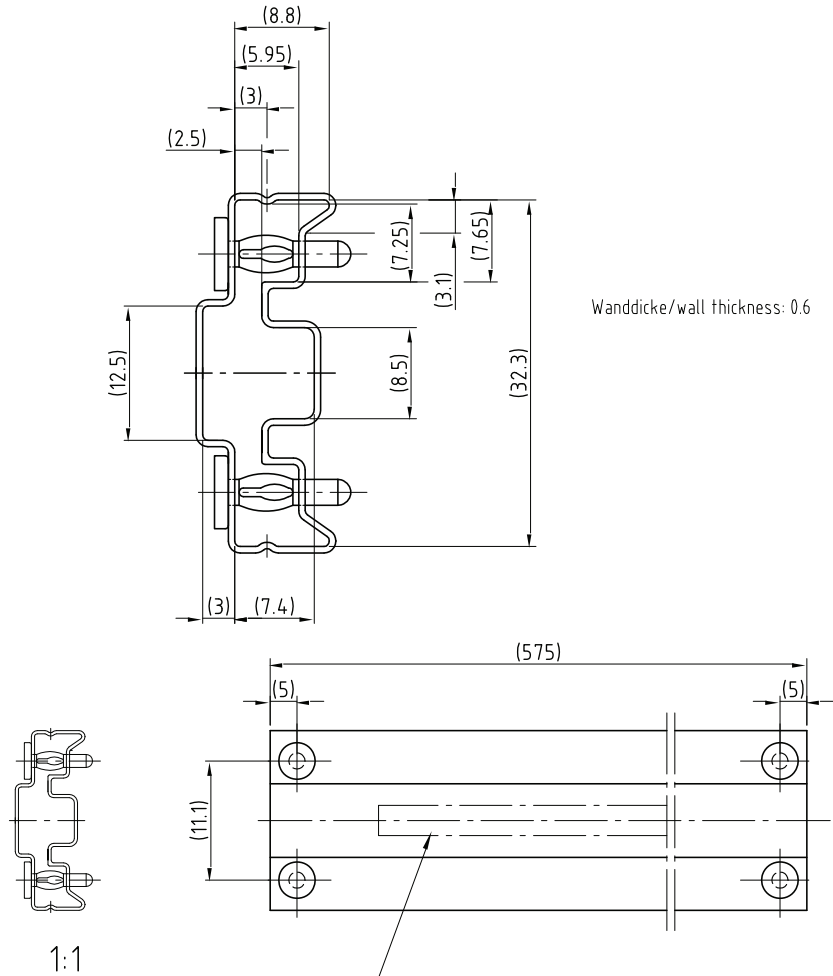
Not indicated tolerances ± 0.2



technical drawings according to DIN specifications

Drawing-No.: 6.550-5169.06-4
Issue: 1; 24.02.16

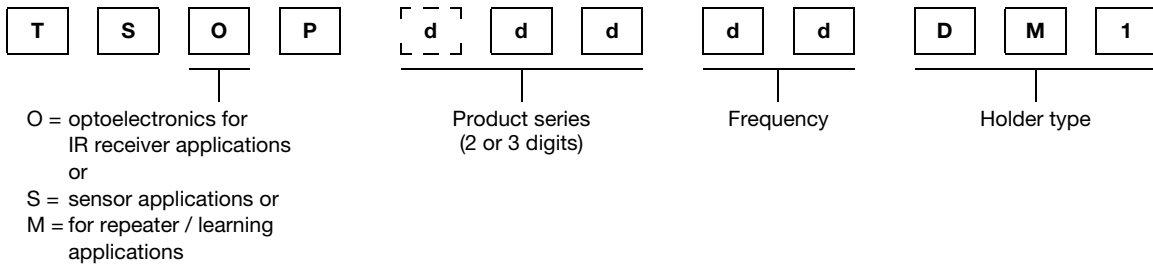
PACKAGING DIMENSIONS in millimeters



Drawing-No.: 9.700-5185.0-4
Rev. 13; Date: 20.11.03
20273-1

Druck / Printing for tubes
1.400-5548.0-3 Version 1

ORDERING INFORMATION



Note

- d = "digit", please consult the list of available series on the previous page to create a valid part number

Example: TSOP32336DM1

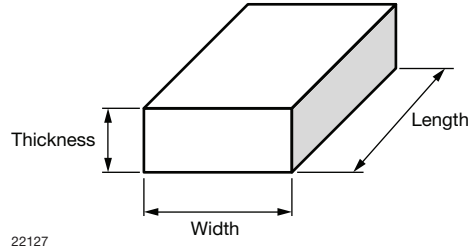
PACKAGING QUANTITY

- 90 pieces per bag
- 24 tubes per carton



OUTER PACKAGING

CARTON BOX DIMENSIONS in millimeters



KINDS OF CARTON BOX	THICKNESS	WIDTH	LENGTH
Packaging plastic tubes (normal / auxiliary devices)	80	150	600
Packaging plastic trays (devices with metal holders)	120	290	490
Tape and reel box (taping in reels)	400	310	410
Ammo-box (zigzag taping)	50	130	350