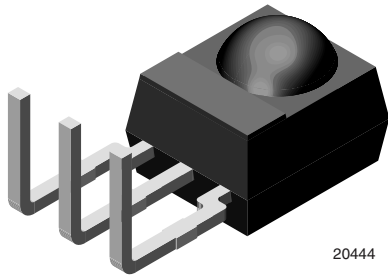
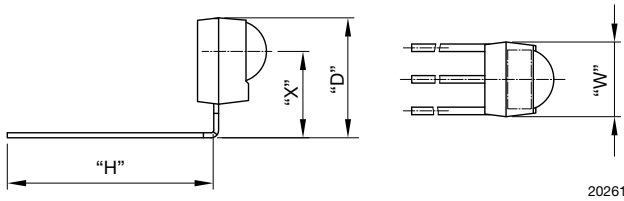


Bent Leads:
D = 12.95 mm, H = 4.5 mm, W = 6 mm, X = 10.25 mm


AVAILABLE FOR

- Mold


LINKS TO ADDITIONAL RESOURCES

[Product Page](#)

[3D Models](#)

[Calculators](#)

[Marking](#)

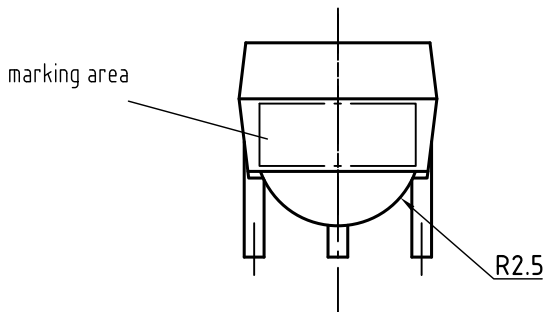
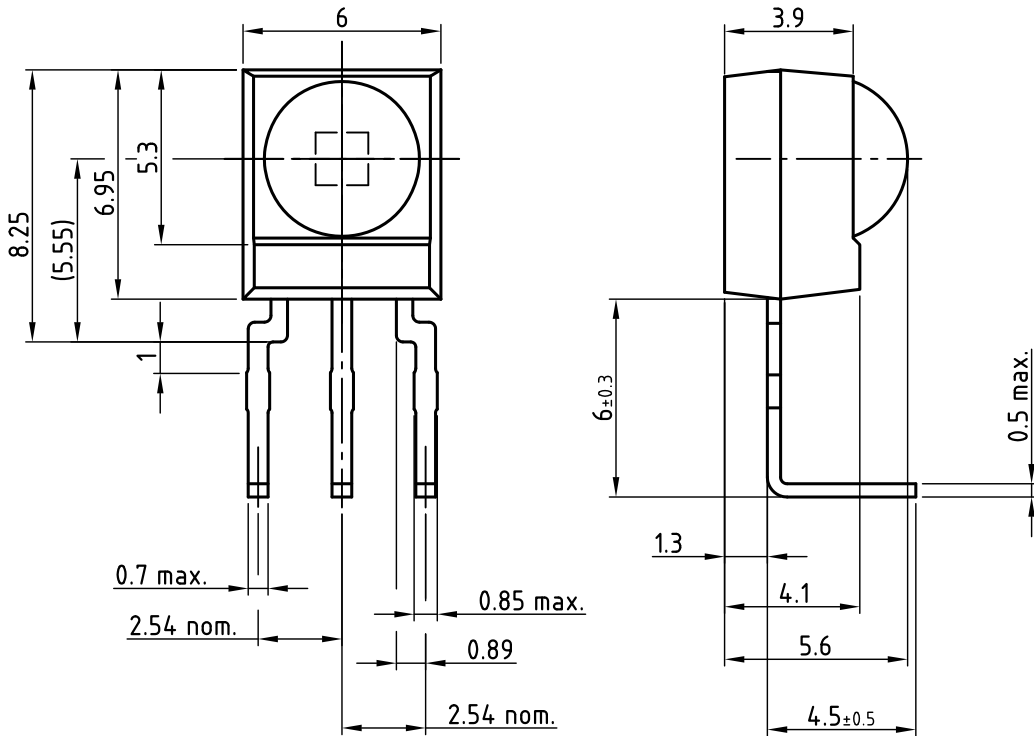
[Packages](#)

[Holders](#)

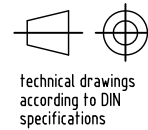
[Bends and Cuts](#)

| NAME | LENS AXIS (X) | VIEW | TYPE | HEIGHT (H) | WIDTH (W) | DEPTH (D) |
|------|---------------|------|------|------------|-----------|-----------|
| DK1 | 10.25 | - | Bend | 4.5 | 6 | 12.95 |

MECHANICAL DIMENSIONS in millimeters



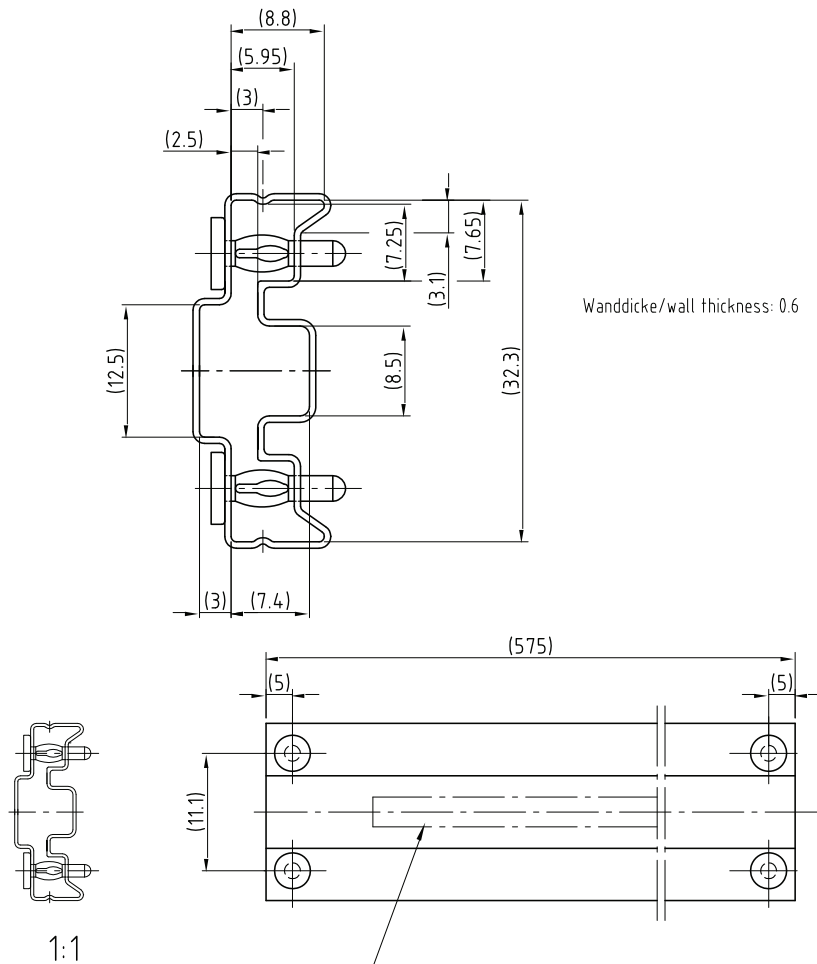
All dimensions in mm
Not indicated tolerances ±0.2



Drawing-No.: 6.550-5325.01-4

Issue: 1; 04.12.12

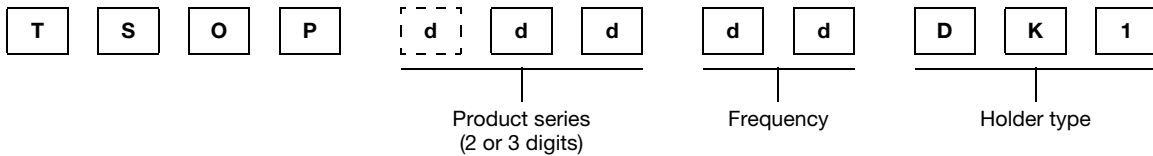
PACKAGING DIMENSIONS in millimeters



Drawing-No.: 9.700-5185.0-4
Rev. 13; Date: 20.11.03
20273-1

Druck / Printing for tubes
1.400-5548.0-3 Version 1

ORDERING INFORMATION



Note

- d = "digit", please consult the list of available series on the previous page to create a valid part number

Example: TSOP4438DK1F

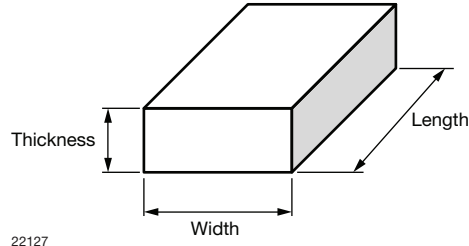
PACKAGING QUANTITY

- 90 pieces per tube
- 24 tubes per carton



OUTER PACKAGING

CARTON BOX DIMENSIONS in millimeters



| KINDS OF CARTON BOX | THICKNESS | WIDTH | LENGTH |
|--|-----------|-------|--------|
| Packaging plastic tubes (normal / auxiliary devices) | 80 | 150 | 600 |
| Packaging plastic trays (devices with metal holders) | 120 | 290 | 490 |
| Tape and reel box (taping in reels) | 400 | 310 | 410 |
| Ammo-box (zigzag taping) | 50 | 130 | 350 |