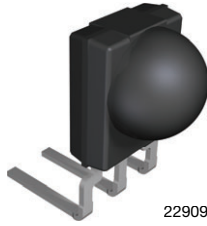
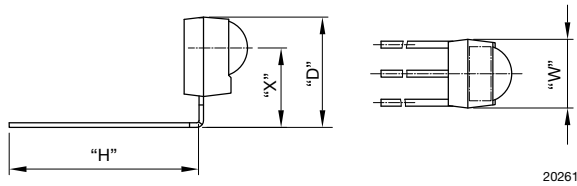
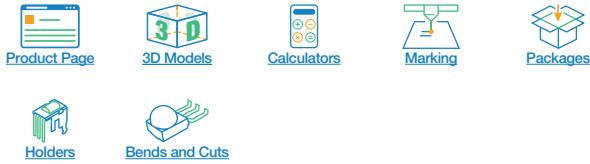


Bent Leads:
D = 9.5 mm, H = 5.2 mm, W = 5.4 mm, X = 6.95 mm

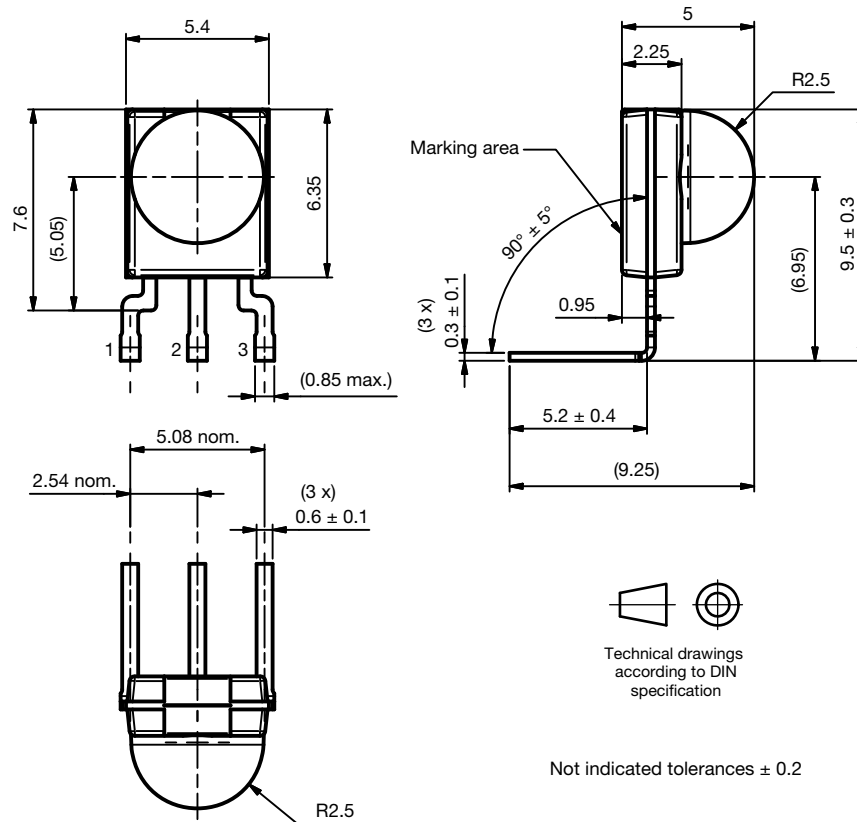

AVAILABLE FOR

- Minimold


LINKS TO ADDITIONAL RESOURCES


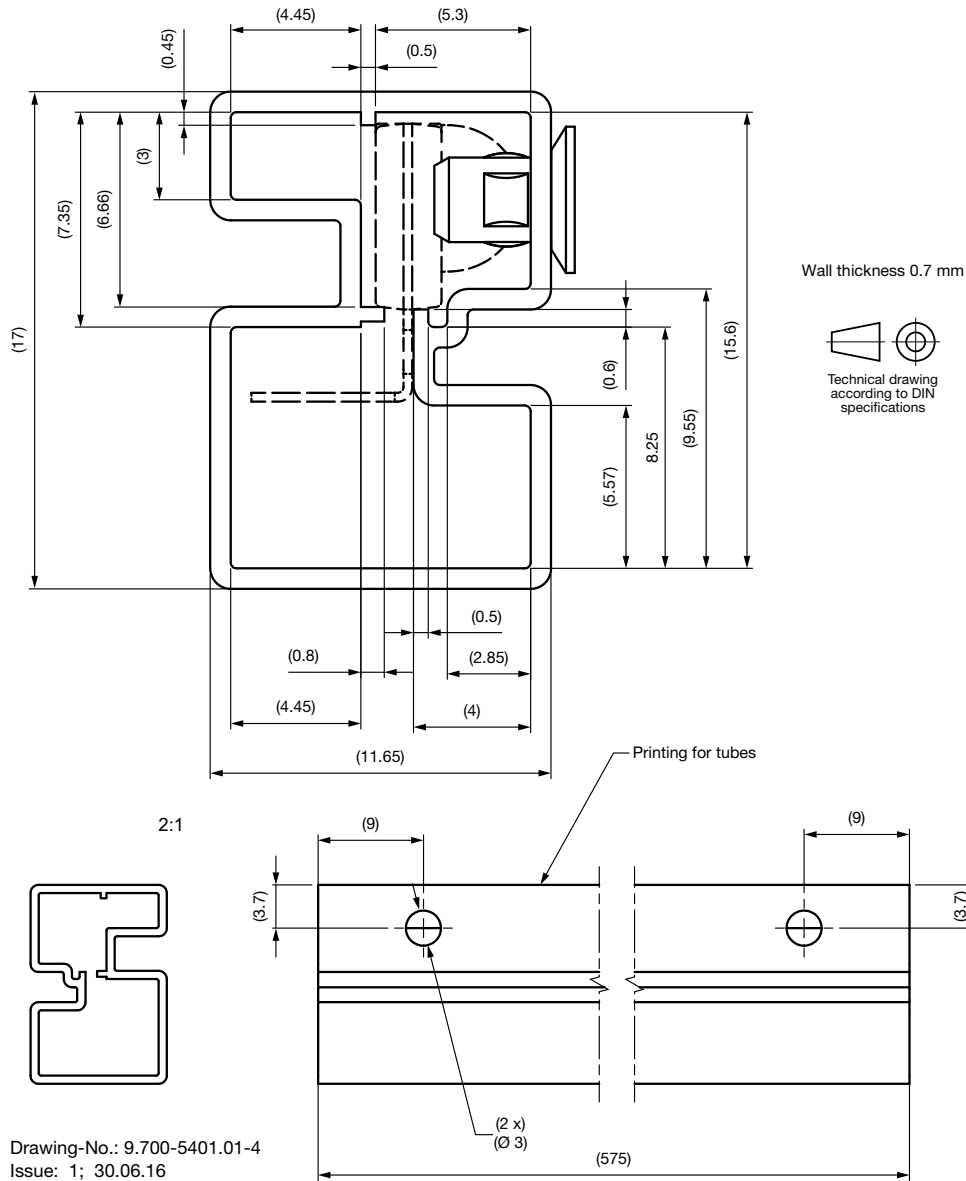
NAME	LENS AXIS (X)	VIEW	TYPE	HEIGHT (H)	WIDTH (W)	DEPTH (D)
ST1	6.95	-	Bend	5.2	5.4	9.5

MECHANICAL DIMENSIONS in millimeters

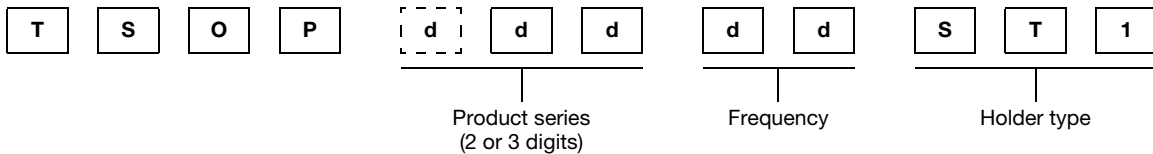


Drawing-No.: 6.550-5341.01-4
Issue: 2; 02.07.19

PACKAGING DIMENSIONS in millimeters



ORDERING INFORMATION



Note

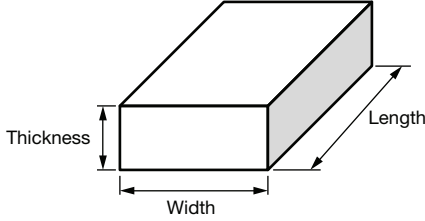
- d = "digit", please consult the list of available series on the previous page to create a valid part number

Example: TSOP33538ST1

PACKAGING QUANTITY

- 100 pieces per tube
- 48 tubes per carton

OUTER PACKAGING

CARTON BOX DIMENSIONS in millimeters			
			
KINDS OF CARTON BOX	THICKNESS	WIDTH	LENGTH
Packaging plastic tubes (normal / auxiliary devices)	80	150	600
Packaging plastic trays (devices with metal holders)	120	290	490
Big box (bulk packaging)	150	180	400