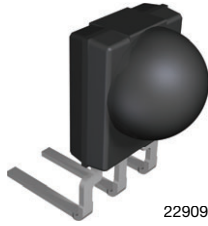
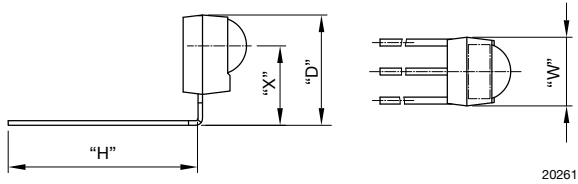


Bent Leads:
D = 9.5 mm, H = 3.6 mm, W = 5.4 mm, X = 6.95 mm


AVAILABLE FOR

- TSOP33...
- TSOP53...
- TSOP13...
- TSOP93...
- TSSP53...


LINKS TO ADDITIONAL RESOURCES

[Product Page](#)

[Calculators](#)

[Marking](#)

[Packages](#)

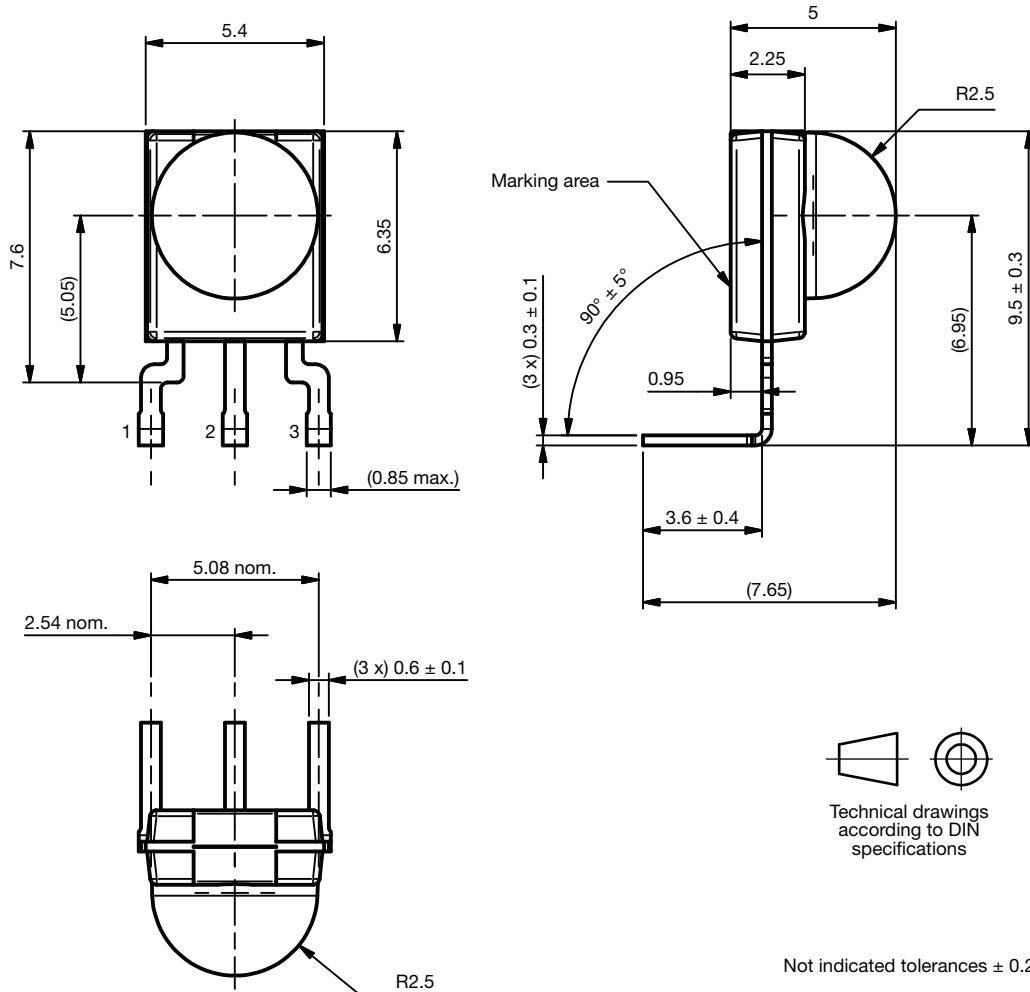
[Holders](#)

[Bends and Cuts](#)

NAME	LENS AXIS (X)	VIEW	TYPE	HEIGHT (H)	WIDTH (W)	DEPTH (D)
DR1	6.95	-	Bend	3.6	5.4	9.5



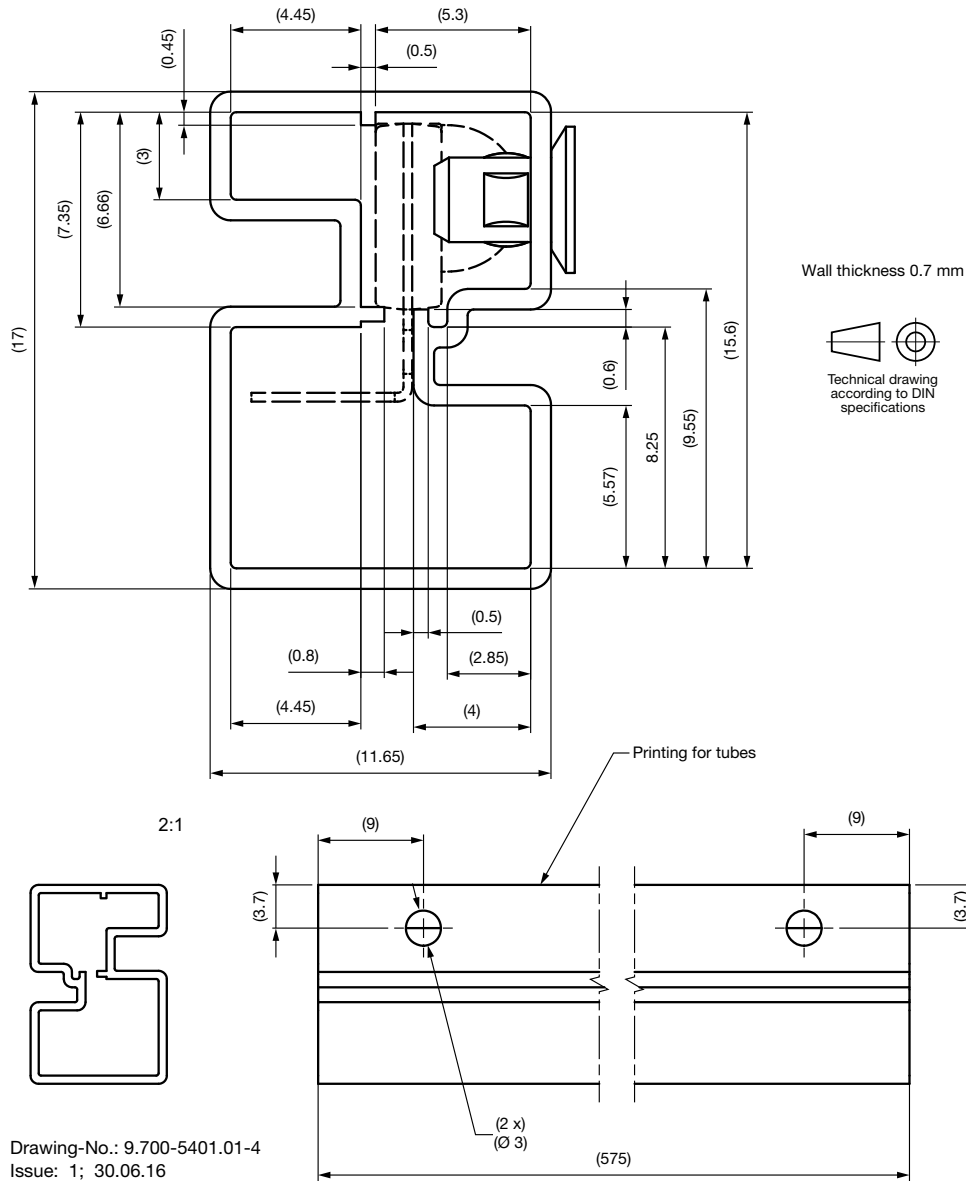
MECHANICAL DIMENSIONS in millimeters



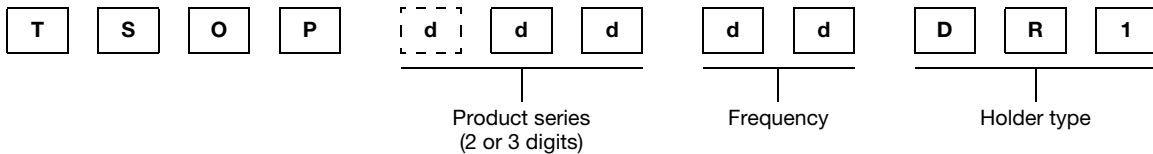
Not indicated tolerances ± 0.2

Drawing-No.: 6.550-5353.01-4
Issue: 1; 11.07.19

PACKAGING DIMENSIONS in millimeters



ORDERING INFORMATION



Note

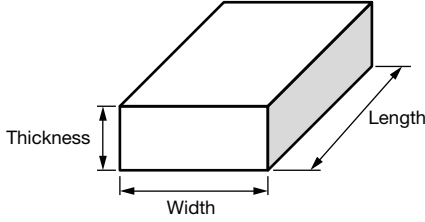
- d = "digit", please consult the list of available series on the previous page to create a valid part number

Example: TSOP33538DR1

PACKAGING QUANTITY

- 100 pieces per tube
- 48 tubes per carton

OUTER PACKAGING

CARTON BOX DIMENSIONS in millimeters			
			
KINDS OF CARTON BOX	THICKNESS	WIDTH	LENGTH
Packaging plastic tubes (normal / auxiliary devices)	80	150	600
Packaging plastic trays (devices with metal holders)	120	290	490
Big box (bulk packaging)	150	180	400