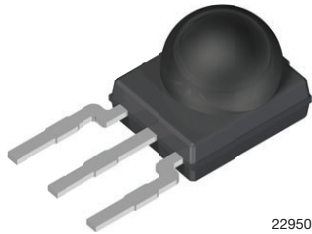


Cut Leads:

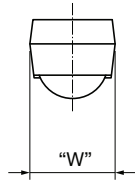
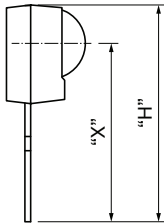
H = 14.2 mm, W = 5.4 mm, X = 11.65 mm

AVAILABLE FOR

- Minimold



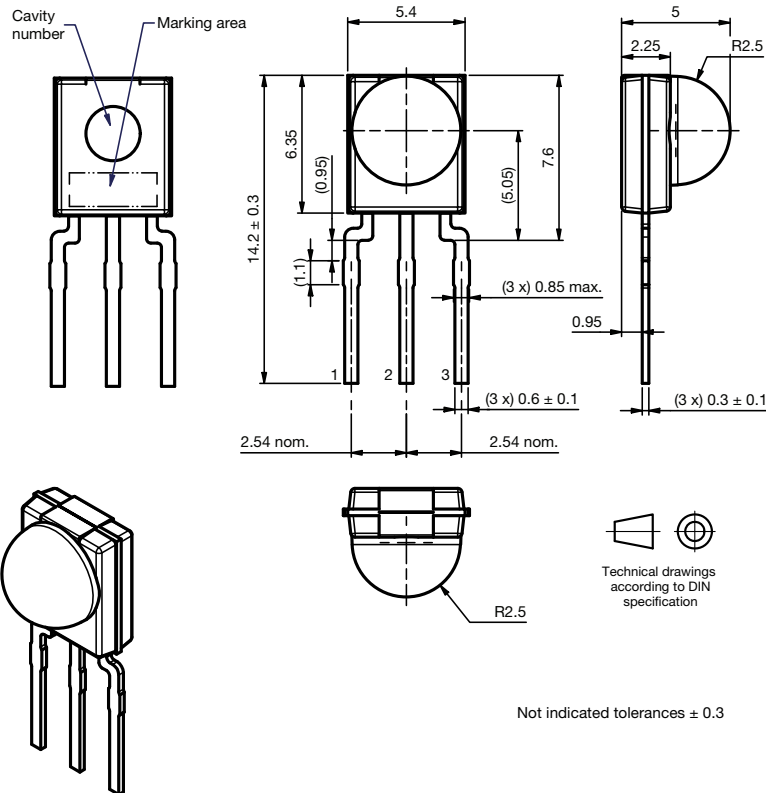
22950



20258

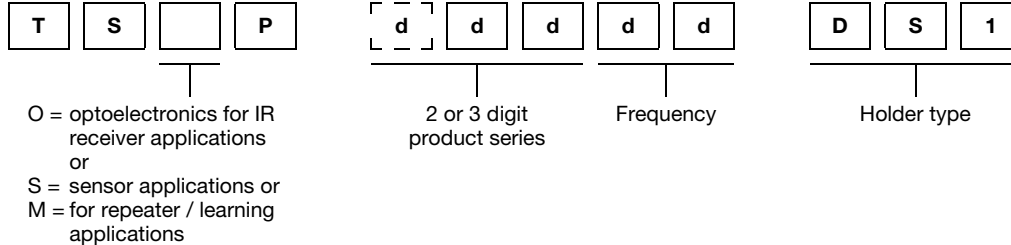
LINKS TO ADDITIONAL RESOURCES


NAME	LENS AXIS (X)	VIEW	TYPE	HEIGHT (H)	WIDTH (W)	DEPTH (D)
DP1	11.65	-	Cut	14.2	5.4	-

MECHANICAL DIMENSIONS in millimeters

 Drawing-No:-6.550-5365.01-4
 Issue: 1; 01.08.19

BULK PACKAGING

Standard shipping for minimold is in conductive plastic bags. The packing quantity is determined by weight and a maximum of 0.3 % of the components per carton may be missing.

ORDERING INFORMATION

Note

- d = "digit", please consult the list of available series on the previous page to create a valid part number

Example: TSOP33336DS1

PACKAGING QUANTITY

- 300 pieces per bag (each bag is individually boxed)
- 6 bags per carton

OUTER PACKAGING

CARTON BOX DIMENSIONS in millimeters			
KINDS OF CARTON BOX	THICKNESS	WIDTH	LENGTH
Packaging plastic tubes (normal / auxiliary devices)	80	150	600
Packaging plastic trays (devices with metal holders)	120	290	490
Big box (bulk packaging)	150	180	400
Pizza box (taping in reels)	50	340	340