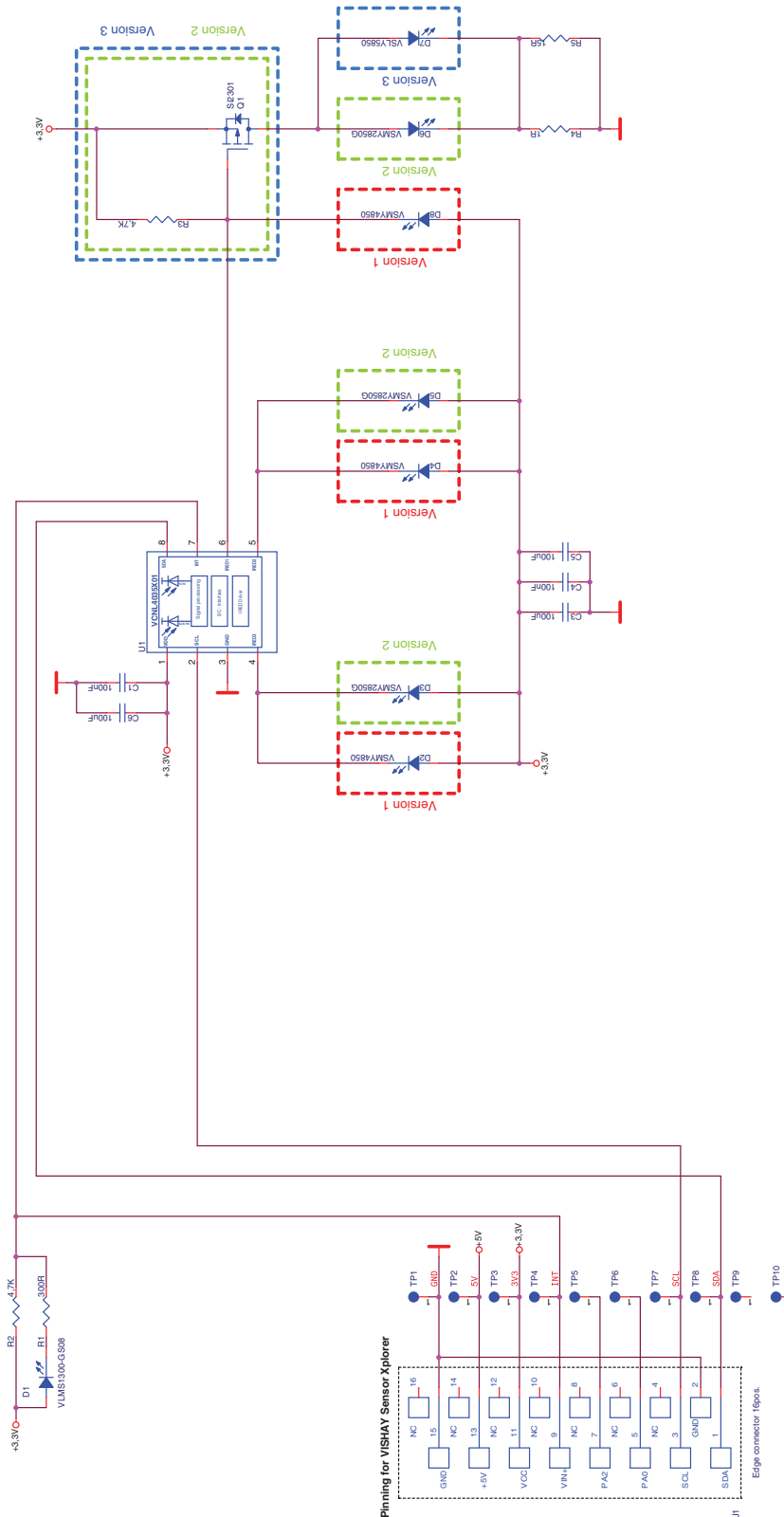


VCNL4035X01 Sensor Board

SCHEMATIC

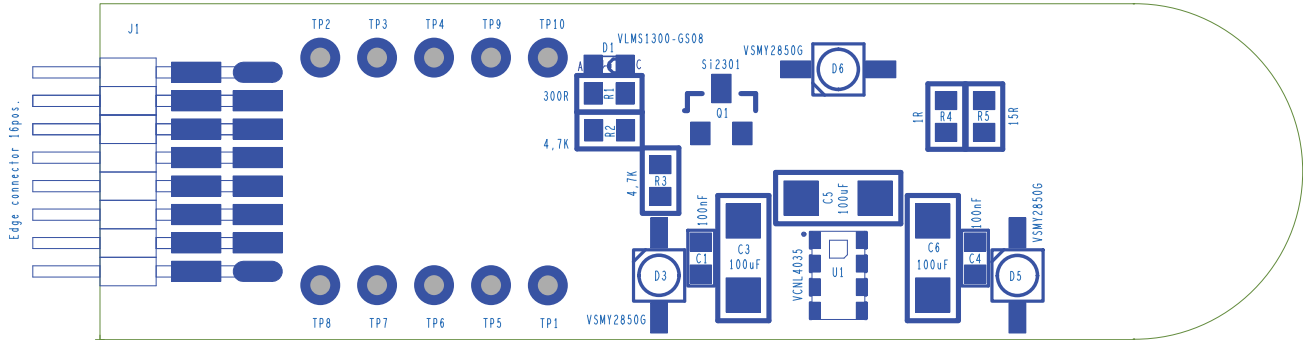


When using the VCNL4035X01 sensor board without Vishay SensorExplorer™ an additional pullup resistor (2.4 kΩ to 10 kΩ) on SDA and SCL is necessary



ASSEMBLY

VCNL4035X01 sensor board LR, rev. 2.0



Assembly top, version 2

BILL OF MATERIALS						
ITEM	QUANTITY	REFERENCE	COMPONENT CLASS	VALUE	PACKAGE	
1	1	C1	Capacitor NP	100 nF	SMC0805	
2	1	C3	Capacitor NP	100 µF	SMC1206	
3	1	C4	Capacitor NP	100 nF	SMC0805	
4	1	C5	Capacitor NP	100 µF	SMC1206	
5	1	C6	Capacitor NP	100 µF	SMC1206	
6	1	D3	LED	VSMY2850G	Dome lens	
7	1	D5	LED	VSMY2850G	Dome lens	
8	1	D6	LED	VSMY2850G	Dome lens	
9	1	R1	Resistor	300 Ω	SMR0603	
10	1	R2	Resistor	4.7 kΩ	SMR0603	
11	1	R3	Resistor	4.7 kΩ	SMR0603	
12	1	R4	Resistor	1 Ω	SMR0603	
13	1	R5	Resistor	15 Ω	SMR0603	
14	1	Q1	Transistor	Si2301	SMSOT23GSD	
15	1	U1	Sensor	VCNL4035X01	SMD	
16	1	J1	Edge connector	2 x 8 pos.	SMD header strip	