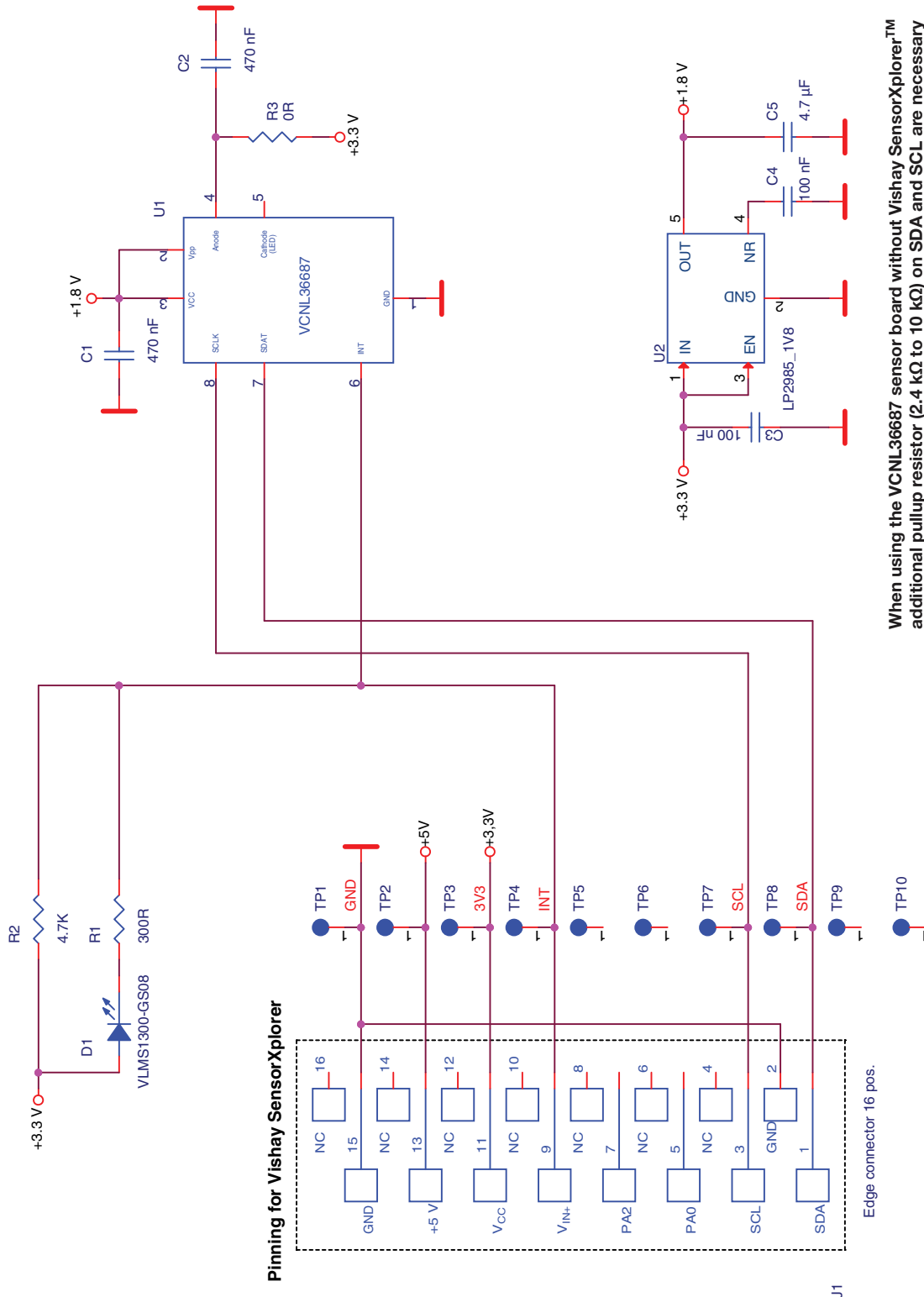


VCNL36687S Sensor Board

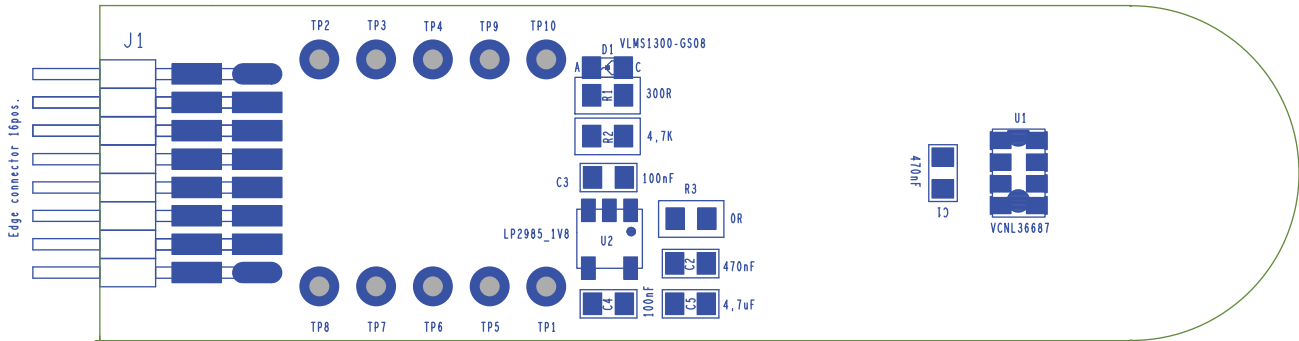
SCHEMATIC



When using the VCNL36687 sensor board without Vishay SensorXplorer™ additional pullup resistor (2.4 kΩ to 10 kΩ) on SDA and SCL are necessary



ASSEMBLY



BILL OF MATERIALS					
ITEM	QUANTITY	REFERENCE	COMPONENT CLASS	VALUE	PACKAGE
1	1	C1	Capacitor NP	470 nF	SMC1206
1	1	C2	Capacitor NP	470 nF	SMC1206
2	1	D1	LED red	VLMS1300	SMD0603
4	1	R1	Resistor	300 Ω	SMR0603
5	1	R2	Resistor	4.7 kΩ	SMR0603
6	1	R3	Resistor	0 Ω	SMR0603
11	1	U1	Sensor	VCNL36687S	SMD
11	1	U2	Regulator	LP2985_1V8	SMD
12	1	J1	Edge connector	2 x 8 pos.	SMD header strip