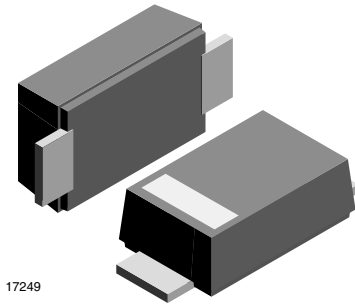


Zener Diodes



17249

LINKS TO ADDITIONAL RESOURCES



FEATURES

- Silicon planar Zener diodes
- Low profile surface-mount package
- Low leakage current
- Excellent stability
- High temperature soldering: 260 °C/10 s at terminals
- Base P/N-M3 - halogen-free, RoHS-compliant, and commercial grade
- Compatible to SOD-123W package case outline or SOD-123F and SOD-123FL
- Material categorization: for definitions of compliance please see www.vishay.com/doc?99912


RoHS
 COMPLIANT
 HALOGEN
FREE

PRIMARY CHARACTERISTICS

PARAMETER	VALUE	UNIT
V _Z range nom.	3.6 to 200	V
Test current I _{ZT}	5 to 100	mA
V _Z specification	Pulse current	
Circuit configuration	Single	

ORDERING INFORMATION

DEVICE NAME	ORDERING CODE	TAPED UNITS PER REEL	MINIMUM ORDER QUANTITY
BZD17-M Series	BZD17C3V6P-M3-08 to BZD17C200P-M3-08	3000 per 7" reel (8 mm tape)	30 000/box
	BZD17C3V6P-M3-18 to BZD17C200P-M3-18	10 000 per 13" reel (8 mm tape)	50 000/box

PACKAGE

PACKAGE NAME	WEIGHT	MOLDING COMPOUND FLAMMABILITY RATING	MOISTURE SENSITIVITY LEVEL	SOLDERING CONDITIONS
SMF (DO-219AB)	15 mg	UL 94 V-0	MSL level 1 (according J-STD-020)	260 °C/10 s at terminals

ABSOLUTE MAXIMUM RATINGS (T_{amb} = 25 °C, unless otherwise specified)

PARAMETER	TEST CONDITION	SYMBOL	VALUE	UNIT
Power dissipation	T _L = 80 °C	P _{tot}	2300	mW
	T _A = 25 °C ⁽¹⁾	P _{tot}	800	mW
Non repetitive peak pulse power dissipation ⁽²⁾	100 μs square pulse	P _{ZSM}	300	W
Junction to lead		R _{thJL}	30	K/W
Junction to ambient air	Mounted on epoxy-glass PCB with 3 mm x 3 mm Cu pads (≥ 40 μm thick)	R _{thJA}	180	K/W
Junction temperature		T _j	150	°C
Storage temperature range		T _{stg}	-55 to +150	°C
Operating temperature range		T _{op}	-55 to +150	°C

Notes

⁽¹⁾ Mounted on epoxy-glass PCB with 3 mm x 3 mm Cu pads (≥ 40 μm thick)

⁽²⁾ T_j = 25 °C prior to surge


ELECTRICAL CHARACTERISTICS ($T_{amb} = 25\text{ }^{\circ}\text{C}$, unless otherwise specified)

PART NUMBER	MARKING CODE	ZENER VOLTAGE RANGE ⁽¹⁾			TEST CURRENT	REVERSE CURRENT		DYNAMIC RESISTANCE		TEMPERATURE COEFFICIENT	
		V_Z at I_{ZT1}			I_{ZT1}	I_R at V_R		Z_Z at I_{ZT1}		α_{VZ} at I_{ZT1}	
		V			mA	μA	V	Ω		$\%/^{\circ}\text{C}$	
		MIN.	NOM.	MAX.		MAX.		TYP.	MAX.	MIN.	MAX.
BZD17C3V6P-M	V0	3.4	3.6	3.8	100	100	1	4	8	-0.14	-0.04
BZD17C3V9P-M	V1	3.7	3.9	4.1	100	50	1	4	8	-0.14	-0.04
BZD17C4V3P-M	V2	4	4.3	4.6	100	25	1	4	7	-0.12	-0.02
BZD17C4V7P-M	V3	4.4	4.7	5	100	10	1	3	7	-0.1	0
BZD17C5V1P-M	V4	4.8	5.1	5.4	100	5	1	3	6	-0.08	0.02
BZD17C5V6P-M	V5	5.2	5.6	6	100	10	2	2	4	-0.04	0.04
BZD17C6V2P-M	V6	5.8	6.2	6.6	100	5	2	2	3	-0.01	0.06
BZD17C6V8P-M	V7	6.4	6.8	7.2	100	10	3	1	3	0	0.07
BZD17C7V5P-M	V8	7	7.5	7.9	100	50	3	1	2	0	0.07
BZD17C8V2P-M	V9	7.7	8.2	8.7	100	10	3	1	2	0.03	0.08
BZD17C9V1P-M	VA	8.5	9.1	9.6	50	10	5	2	4	0.03	0.08
BZD17C10P-M	VB	9.4	10	10.6	50	7	7.5	2	4	0.05	0.09
BZD17C11P-M	VC	10.4	11	11.6	50	4	8.2	4	7	0.05	0.1
BZD17C12P-M	VD	11.4	12	12.7	50	3	9.1	4	7	0.05	0.1
BZD17C13P-M	VE	12.4	13	14.1	50	2	10	5	10	0.05	0.1
BZD17C15P-M	VF	13.8	15	15.6	50	1	11	5	10	0.05	0.1
BZD17C16P-M	VG	15.3	16	17.1	25	1	12	6	15	0.06	0.11
BZD17C18P-M	VH	16.8	18	19.1	25	1	13	6	15	0.06	0.11
BZD17C20P-M	VI	18.8	20	21.2	25	1	15	6	15	0.06	0.11
BZD17C22P-M	VJ	20.8	22	23.3	25	1	16	6	15	0.06	0.11
BZD17C24P-M	VK	22.8	24	25.6	25	1	18	7	15	0.06	0.11
BZD17C27P-M	VL	25.1	27	28.9	25	1	20	7	15	0.06	0.11
BZD17C30P-M	VM	28	30	32	25	1	22	8	15	0.06	0.11
BZD17C33P-M	VN	31	33	35	25	1	24	8	15	0.06	0.11
BZD17C36P-M	VO	34	36	38	10	1	27	21	40	0.06	0.11
BZD17C39P-M	VP	37	39	41	10	1	30	21	40	0.06	0.11
BZD17C43P-M	VQ	40	43	46	10	1	33	24	45	0.07	0.12
BZD17C47P-M	VR	44	47	50	10	1	36	24	45	0.07	0.12
BZD17C51P-M	VS	48	51	54	10	1	39	25	60	0.07	0.12
BZD17C56P-M	VT	52	56	60	10	1	43	25	60	0.07	0.12
BZD17C62P-M	VU	58	62	66	10	1	47	25	80	0.08	0.13
BZD17C68P-M	VV	64	68	72	10	1	51	25	80	0.08	0.13
BZD17C75P-M	VW	70	75	79	10	1	56	30	100	0.08	0.13
BZD17C82P-M	VX	77	82	87	10	1	62	30	100	0.08	0.13
BZD17C91P-M	VY	85	91	96	5	1	68	60	200	0.08	0.13
BZD17C100P-M	VZ	94	100	106	5	1	75	60	200	0.09	0.13
BZD17C110P-M	XA	104	110	116	5	1	82	80	250	0.09	0.13
BZD17C120P-M	XB	114	120	127	5	1	91	80	250	0.09	0.13
BZD17C130P-M	XC	124	130	141	5	1	100	110	300	0.09	0.13
BZD17C150P-M	XD	138	150	156	5	1	110	130	300	0.09	0.13
BZD17C160P-M	XE	153	160	171	5	1	120	150	350	0.09	0.13
BZD17C180P-M	XF	168	180	191	5	1	130	180	400	0.09	0.13
BZD17C200P-M	XG	188	200	212	5	1	150	200	500	0.09	0.13

Notes

- Electrical characteristics when used as regulator diodes
- Maximum $V_F = 1.2\text{ V}$, at $I_F = 0.2\text{ A}$
- ⁽¹⁾ Pulse test: $t_p \leq 5\text{ ms}$

TYPICAL CHARACTERISTICS ($T_{amb} = 25\text{ }^{\circ}\text{C}$, unless otherwise specified)

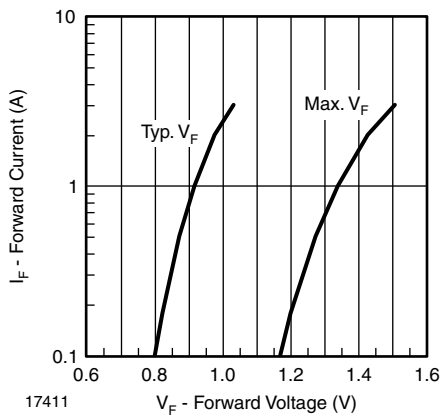


Fig. 1 - Forward Current vs. Forward Voltage

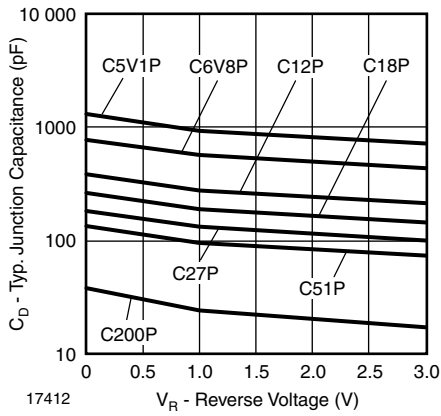


Fig. 2 - Typ. Diode Capacitance vs. Reverse Voltage

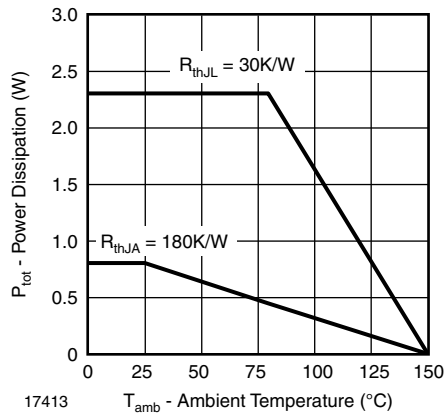
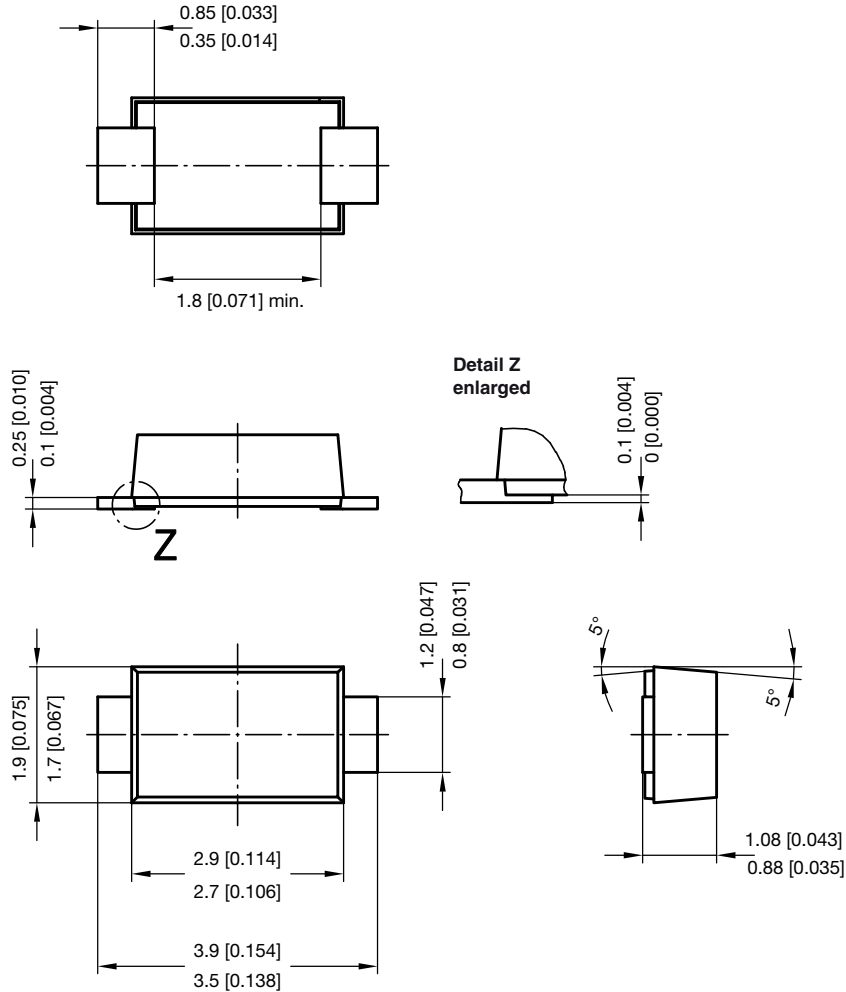


Fig. 3 - Power Dissipation vs. Ambient Temperature

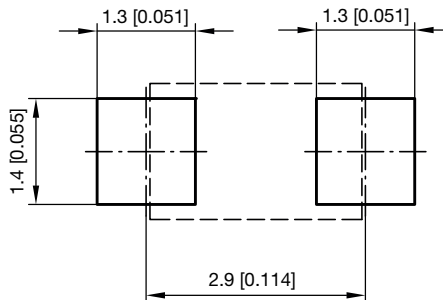


PACKAGE DIMENSIONS in millimeters (inches): **SMF (DO-219AB)**



foot print recommendation:

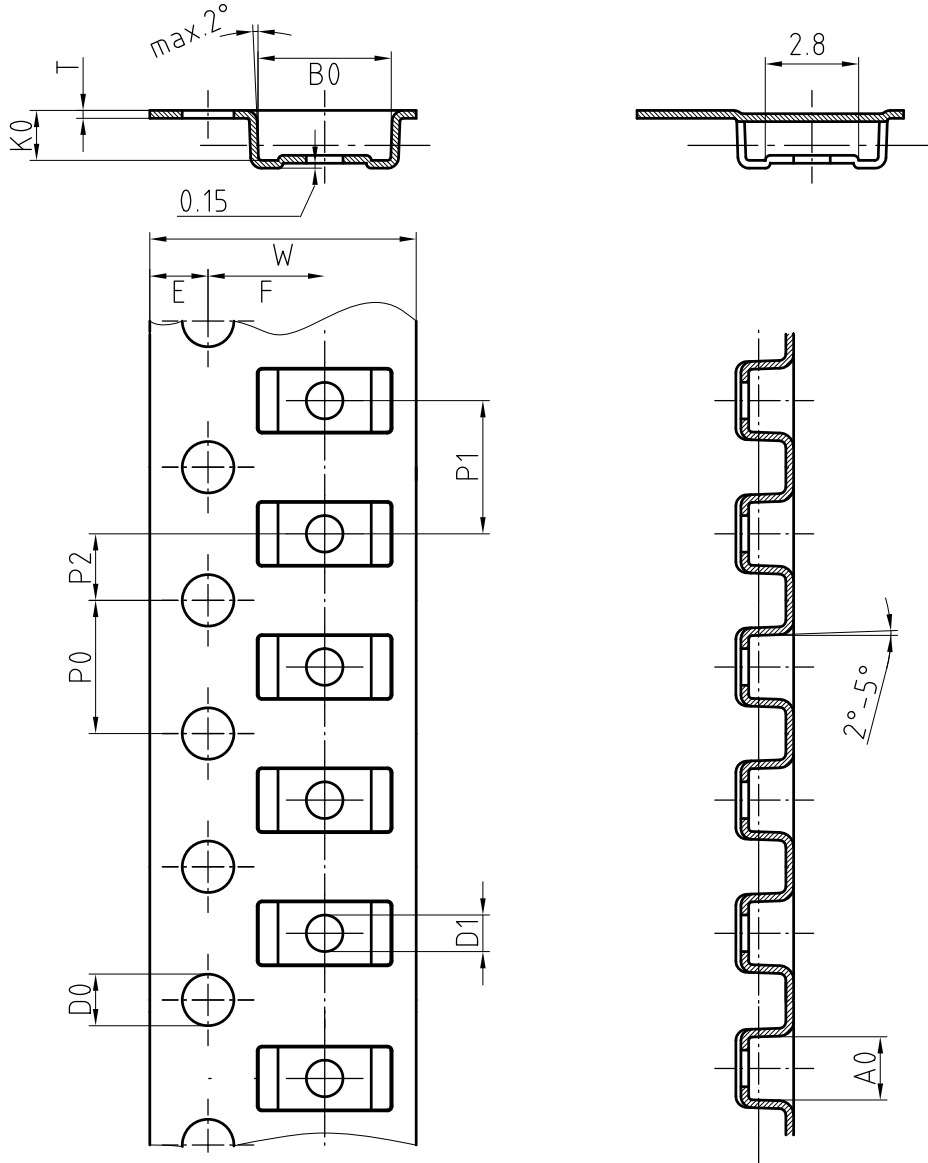
Reflow soldering



Created - Date: 15. February 2005
 Rev. 6 - Date: 24.Feb.2021
 Document no.: S8-V-3915.01-001 (4)
 22989



BLISTERTAPE DIMENSIONS FOR SMF in millimeters



Mat:	A0	B0	K0	W	T	P0	P2	P1	D0	D1	E	F
PS	1.9	4.0	1.5	8.0	0.235	4.0	2.0	4.0	1.5	1	1.75	3.5

Document-No.: S8-V-3717.02-001 (3)
18513



Disclaimer

ALL PRODUCT, PRODUCT SPECIFICATIONS AND DATA ARE SUBJECT TO CHANGE WITHOUT NOTICE TO IMPROVE RELIABILITY, FUNCTION OR DESIGN OR OTHERWISE.

Vishay Intertechnology, Inc., its affiliates, agents, and employees, and all persons acting on its or their behalf (collectively, "Vishay"), disclaim any and all liability for any errors, inaccuracies or incompleteness contained in any datasheet or in any other disclosure relating to any product.

Vishay makes no warranty, representation or guarantee regarding the suitability of the products for any particular purpose or the continuing production of any product. To the maximum extent permitted by applicable law, Vishay disclaims (i) any and all liability arising out of the application or use of any product, (ii) any and all liability, including without limitation special, consequential or incidental damages, and (iii) any and all implied warranties, including warranties of fitness for particular purpose, non-infringement and merchantability.

Statements regarding the suitability of products for certain types of applications are based on Vishay's knowledge of typical requirements that are often placed on Vishay products in generic applications. Such statements are not binding statements about the suitability of products for a particular application. It is the customer's responsibility to validate that a particular product with the properties described in the product specification is suitable for use in a particular application. Parameters provided in datasheets and / or specifications may vary in different applications and performance may vary over time. All operating parameters, including typical parameters, must be validated for each customer application by the customer's technical experts. Product specifications do not expand or otherwise modify Vishay's terms and conditions of purchase, including but not limited to the warranty expressed therein.

Hyperlinks included in this datasheet may direct users to third-party websites. These links are provided as a convenience and for informational purposes only. Inclusion of these hyperlinks does not constitute an endorsement or an approval by Vishay of any of the products, services or opinions of the corporation, organization or individual associated with the third-party website. Vishay disclaims any and all liability and bears no responsibility for the accuracy, legality or content of the third-party website or for that of subsequent links.

Vishay products are not designed for use in life-saving or life-sustaining applications or any application in which the failure of the Vishay product could result in personal injury or death unless specifically qualified in writing by Vishay. Customers using or selling Vishay products not expressly indicated for use in such applications do so at their own risk. Please contact authorized Vishay personnel to obtain written terms and conditions regarding products designed for such applications.

No license, express or implied, by estoppel or otherwise, to any intellectual property rights is granted by this document or by any conduct of Vishay. Product names and markings noted herein may be trademarks of their respective owners.