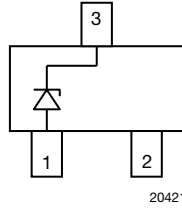


## Small Signal Zener Diodes

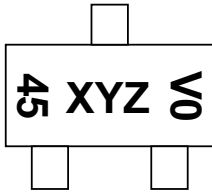


20421

### LINKS TO ADDITIONAL RESOURCES



### MARKING (example only)



XYZ = type code  
45 = working week  
0 = year  
V = Vishay

### FEATURES

- Silicon planar Zener diodes
- The Zener voltages are graded according to the international E24 standard. Standard Zener voltage tolerance is  $\pm 5\%$ , indicated by the "C" in the ordering code. Replace "C" with "B" for  $\pm 2\%$  tolerance.
- AEC-Q101 qualified available (part number on request)
- ESD capability acc. to AEC-Q101:  
human body model:  $> 8\text{ kV}$ ,  
machine model:  $> 800\text{ V}$
- Base P/N-G3 - green, commercial grade
- Material categorization: for definitions of compliance please see [www.vishay.com/doc?99912](http://www.vishay.com/doc?99912)



PRIMARY CHARACTERISTICS		
PARAMETER	VALUE	UNIT
$V_Z$ range nom.	2.2 to 75	V
Test current $I_{ZT}$	2; 5	mA
$V_Z$ specification	Pulse current	
Circuit configuration	Single	

ORDERING INFORMATION					
DEVICE NAME	ORDERING CODE	ZENER VOLTAGE TOLERANCE	AEC-Q101 QUALIFIED	TAPED UNITS PER REEL	MINIMUM ORDER QUANTITY
BZX84-G series	BZX84C2V4-G3-08 to BZX84C75-G3-08	5 %	no	3000 (8 mm tape on 7" reel)	15 000
	BZX84B2V4-G3-08 to BZX84B75-G3-08	2 %	no		
	BZX84C2V4-G3-18 to BZX84C75-G3-18	5 %	no	10 000 (8 mm tape on 13" reel)	10 000
	BZX84B2V4-G3-18 to BZX84B75-G3-18	2 %	no		

PACKAGE				
PACKAGE NAME	WEIGHT	MOLDING COMPOUND FLAMMABILITY RATING	MOISTURE SENSITIVITY LEVEL	SOLDERING CONDITIONS
SOT-23	9.2 mg	UL 94 V-0	MSL level 1 (according J-STD-020)	Peak temperature max. 260 °C

ABSOLUTE MAXIMUM RATINGS					
PARAMETER	TEST CONDITION	SYMBOL	VALUE	UNIT	
Power dissipation	$R_{thJL} = 250\text{ K/W}$	$P_{tot}$	500	mW	
	On FR-4 board with recommended soldering footprint	$P_{tot}$	300	mW	
Thermal resistance junction to lead		$R_{thJL}$	250	K/W	
Thermal resistance junction to ambient	According to JEDEC® 51-3 on FR-4 board with recommended soldering footprint	$R_{thJA}$	420	K/W	
Junction temperature		$T_j$	150	°C	
Storage temperature range		$T_{stg}$	-65 to +150	°C	
Operating temperature range		$T_{op}$	-55 to +150	°C	



<b>ELECTRICAL CHARACTERISTICS</b> ( $T_{amb} = 25\text{ }^{\circ}\text{C}$ , unless otherwise specified)												
PART NUMBER	MARKING CODE	ZENER VOLTAGE RANGE			TEST CURRENT		REVERSE LEAKAGE CURRENT		DYNAMIC RESISTANCE $f = 1\text{ kHz}$		TEMPERATURE COEFFICIENT	
		$V_Z$ at $I_{ZT1}$			$I_{ZT1}$	$I_{ZT2}$	$I_R$ at $V_R$		$Z_Z$ at $I_{ZT1}$	$Z_{ZK}$ at $I_{ZT2}$	$\alpha_{VZ}$ at $I_{ZT1}$	
		V			mA		$\mu\text{A}$	V	$\Omega$		$10^{-4}/^{\circ}\text{C}$	
		MIN.	NOM.	MAX.					MAX.	MAX.	MIN.	MAX.
BZX84C2V2-G	G49	2.09	2.2	2.31	5	1	100	1	120	600	-9	-4
BZX84C2V4-G	G50	2.28	2.4	2.52	5	1	50	1	100	600	-9	-4
BZX84C2V7-G	G51	2.57	2.7	2.84	5	1	20	1	100	600	-9	-4
BZX84C3V0-G	G52	2.85	3.0	3.15	5	1	10	1	95	600	-9	-3
BZX84C3V3-G	G53	3.14	3.3	3.47	5	1	5	1	95	600	-8	-3
BZX84C3V6-G	G54	3.42	3.6	3.78	5	1	5	1	90	600	-8	-3
BZX84C3V9-G	G55	3.71	3.9	4.10	5	1	3	1	90	600	-7	-3
BZX84C4V3-G	G56	4.09	4.3	4.52	5	1	3	1	90	600	-6	-1
BZX84C4V7-G	G57	4.47	4.7	4.94	5	1	3	2	80	500	-5	2
BZX84C5V1-G	G58	4.85	5.1	5.36	5	1	2	2	60	480	-3	4
BZX84C5V6-G	G59	5.32	5.6	5.88	5	1	1	2	40	400	-2	6
BZX84C6V2-G	G60	5.89	6.2	6.51	5	1	3	4	10	150	-1	7
BZX84C6V8-G	G61	6.46	6.8	7.14	5	1	2	4	15	80	2	7
BZX84C7V5-G	G62	7.13	7.5	7.88	5	1	1	5	15	80	3	7
BZX84C8V2-G	G63	7.79	8.2	8.61	5	1	0.7	5	15	80	4	7
BZX84C9V1-G	G64	8.65	9.1	9.56	5	1	0.5	6	15	100	5	8
BZX84C10-G	G65	9.50	10	10.50	5	1	0.2	7	20	150	5	8
BZX84C11-G	G66	10.45	11	11.55	5	1	0.1	8	20	150	5	9
BZX84C12-G	G67	11.40	12	12.60	5	1	0.1	8	25	150	6	9
BZX84C13-G	G68	12.40	13	13.65	5	1	0.1	8	30	170	7	9
BZX84C15-G	G69	14.25	15	15.60	5	1	0.05	10.5	30	200	7	9
BZX84C16-G	G70	15.30	16	16.80	5	1	0.05	11.2	40	200	8	9.5
BZX84C18-G	G71	17.10	18	18.90	5	1	0.05	12.6	45	225	8	9.5
BZX84C20-G	G72	19.00	20	21.00	5	1	0.05	14.0	55	225	8	10
BZX84C22-G	G73	20.90	22	23.10	5	1	0.05	15.4	55	250	8	10
BZX84C24-G	G74	22.80	24	25.20	5	1	0.05	16.8	70	250	8	10
BZX84C27-G	G75	25.65	27	28.35	2	0.5	0.05	18.9	80	300	8	10
BZX84C30-G	G76	28.50	30	31.50	2	0.5	0.05	21.0	80	300	8	10
BZX84C33-G	G77	31.35	33	34.65	2	0.5	0.05	23.1	80	325	8	10
BZX84C36-G	G78	34.20	36	37.80	2	0.5	0.05	25.2	90	350	8	10
BZX84C39-G	G79	37.05	39	40.95	2	0.5	0.05	27.3	130	350	10	12
BZX84C43-G	G80	40.85	43	45.15	2	0.5	0.05	30.1	150	375	10	12
BZX84C47-G	G81	44.65	47	49.35	2	0.5	0.05	32.9	170	375	10	12
BZX84C51-G	G82	48.45	51	53.55	2	0.5	0.05	35.7	180	400	10	12
BZX84C56-G	G83	53.20	56	58.80	2	0.5	0.05	39.2	200	425	9	11
BZX84C62-G	G84	58.90	62	65.10	2	0.5	0.05	43.4	215	450	9	12
BZX84C68-G	G85	64.60	68	71.40	2	0.5	0.05	47.6	240	475	10	12
BZX84C75-G	G86	71.25	75	78.75	2	0.5	0.05	52.5	255	500	10	12



<b>ELECTRICAL CHARACTERISTICS</b> ( $T_{amb} = 25\text{ }^{\circ}\text{C}$ , unless otherwise specified)												
PART NUMBER	MARKING CODE	ZENER VOLTAGE RANGE			TEST CURRENT		REVERSE LEAKAGE CURRENT		DYNAMIC RESISTANCE $f = 1\text{ kHz}$		TEMPERATURE COEFFICIENT	
		$V_Z$ at $I_{ZT1}$			$I_{ZT1}$	$I_{ZT2}$	$I_R$ at $V_R$		$Z_Z$ at $I_{ZT1}$	$Z_{ZK}$ at $I_{ZT2}$	$\alpha_{VZ}$ at $I_{ZT1}$	
		V			mA		$\mu\text{A}$	V	$\Omega$		$10^{-4}/^{\circ}\text{C}$	
		MIN.	NOM.	MAX.					MAX.	MAX.	MIN.	MAX.
BZX84B2V2-G	H49	2.16	2.2	2.24	5	1	100	1	120	600	-9	-4
BZX84B2V4-G	H50	2.35	2.4	2.45	5	1	50	1	100	600	-9	-4
BZX84B2V7-G	H51	2.65	2.7	2.75	5	1	20	1	100	600	-9	-4
BZX84B3V0-G	H52	2.94	3.0	3.06	5	1	10	1	95	600	-9	-3
BZX84B3V3-G	H53	3.23	3.3	3.37	5	1	5	1	95	600	-8	-3
BZX84B3V6-G	H54	3.53	3.6	3.67	5	1	5	1	90	600	-8	-3
BZX84B3V9-G	H55	3.82	3.9	3.98	5	1	3	1	90	600	-7	-3
BZX84B4V3-G	H56	4.21	4.3	4.39	5	1	3	1	90	600	-6	-1
BZX84B4V7-G	H57	4.61	4.7	4.79	5	1	3	2	80	500	-5	2
BZX84B5V1-G	H58	5.00	5.1	5.20	5	1	2	2	60	480	-3	4
BZX84B5V6-G	H59	5.49	5.6	5.71	5	1	1	2	40	400	-2	6
BZX84B6V2-G	H60	6.08	6.2	6.32	5	1	3	4	10	150	-1	7
BZX84B6V8-G	H61	6.66	6.8	6.94	5	1	2	4	15	80	2	7
BZX84B7V5-G	H62	7.35	7.5	7.65	5	1	1	5	15	80	3	7
BZX84B8V2-G	H63	8.04	8.2	8.36	5	1	0.7	5	15	80	4	7
BZX84B9V1-G	H64	8.92	9.1	9.28	5	1	0.5	6	15	100	5	8
BZX84B10-G	H65	9.80	10	10.20	5	1	0.2	7	20	150	5	8
BZX84B11-G	H66	10.78	11	11.22	5	1	0.1	8	20	150	5	9
BZX84B12-G	H67	11.76	12	12.24	5	1	0.1	8	25	150	6	9
BZX84B13-G	H68	12.74	13	13.26	5	1	0.1	8	30	170	7	9
BZX84B15-G	H69	14.70	15	15.30	5	1	0.05	10.5	30	200	7	9
BZX84B16-G	H70	15.68	16	16.32	5	1	0.05	11.2	40	200	8	9.5
BZX84B18-G	H71	17.64	18	18.36	5	1	0.05	12.6	45	225	8	9.5
BZX84B20-G	H72	19.60	20	20.40	5	1	0.05	14	55	225	8	10
BZX84B22-G	H73	21.56	22	22.44	5	1	0.05	15.4	55	250	8	10
BZX84B24-G	H74	23.52	24	24.48	5	1	0.05	16.8	70	250	8	10
BZX84B27-G	H75	26.46	27	27.54	2	0.5	0.05	18.9	80	300	8	10
BZX84B30-G	H76	29.40	30	30.60	2	0.5	0.05	21	80	300	8	10
BZX84B33-G	H77	32.34	33	33.66	2	0.5	0.05	23.1	80	325	8	10
BZX84B36-G	H78	35.28	36	36.72	2	0.5	0.05	25.2	90	350	8	10
BZX84B39-G	H79	38.22	39	39.78	2	0.5	0.05	27.3	130	350	10	12
BZX84B43-G	H80	42.14	43	43.86	2	0.5	0.05	30.1	150	375	10	12
BZX84B47-G	H81	46.06	47	47.94	2	0.5	0.05	32.9	170	375	10	12
BZX84B51-G	H82	49.98	51	52.02	2	0.5	0.05	35.7	180	400	10	12
BZX84B56-G	H83	54.88	56	57.12	2	0.5	0.05	39.2	200	425	9	11
BZX84B62-G	H84	60.76	62	63.24	2	0.5	0.05	43.4	215	450	9	12
BZX84B68-G	H85	66.64	68	69.36	2	0.5	0.05	47.6	240	475	10	12
BZX84B75-G	H86	73.50	75	76.50	2	0.5	0.05	52.5	255	500	10	12

**TYPICAL CHARACTERISTICS** ( $T_{amb} = 25\text{ }^{\circ}\text{C}$ , unless otherwise specified)

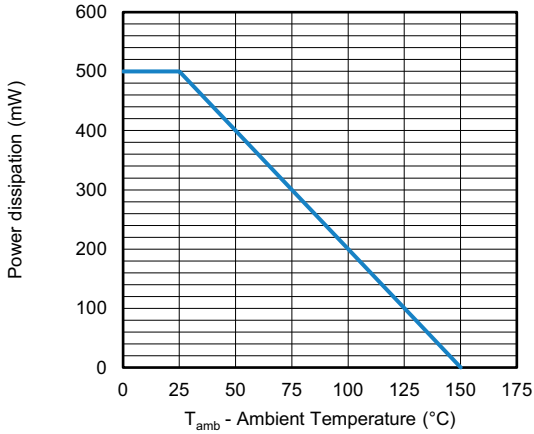


Fig. 1 - Admissible Power Dissipation vs. Ambient Temperature

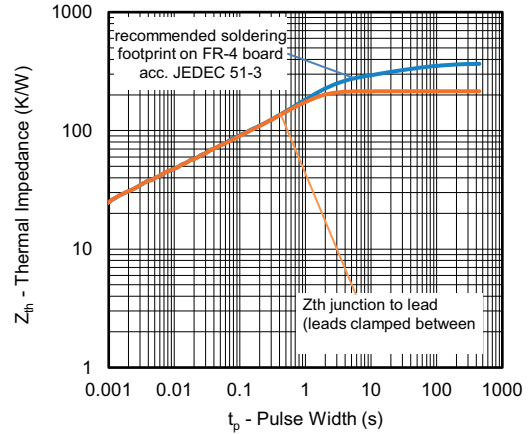
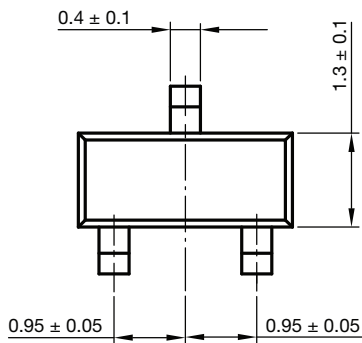
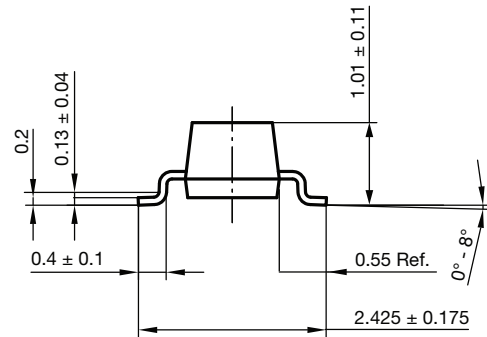
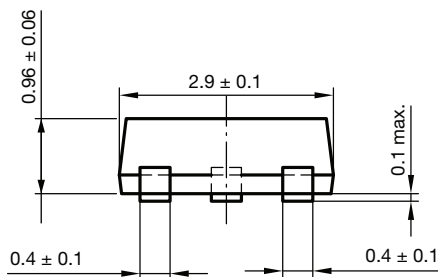
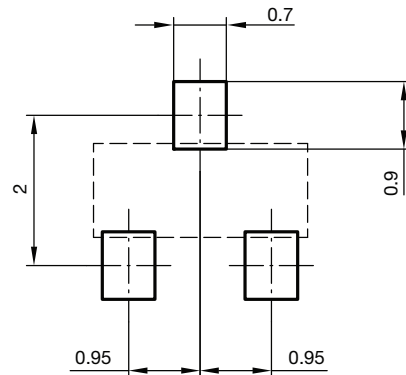


Fig. 2 - Thermal Impedance vs. Time

**PACKAGE DIMENSIONS** in millimeters (inches): **SOT-23**



Foot print recommendation:



Document no.: S8-V-3929.01-009 (4)  
Created - Date: 18. Oct. 2021  
Rev. 01 - Date: 18. Jan. 2022

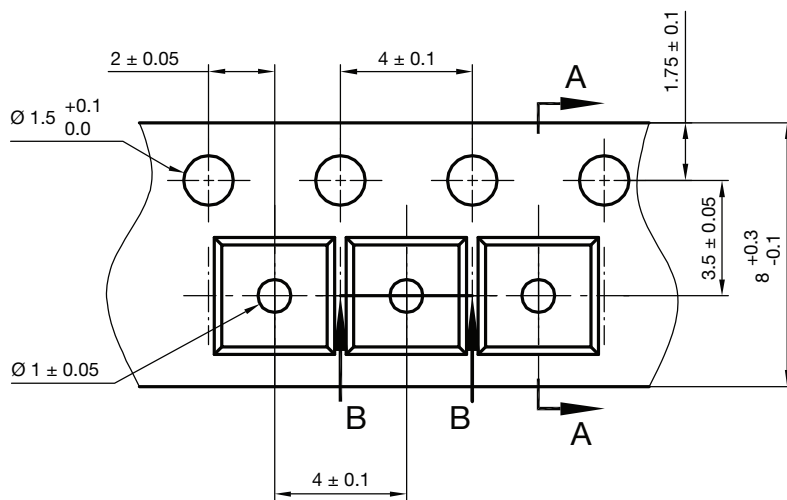


### ORIENTATION IN CARRIER TAPE

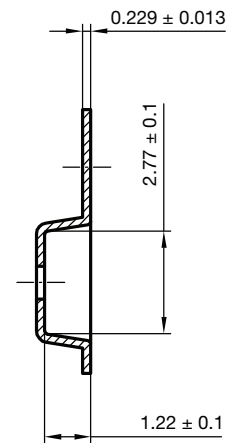


S8-V-3929.01-006 (4)  
 Created Date: 04.02.2010  
 Rev. 02 Date: 07.11.2022

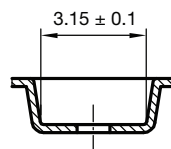
### CARRIER TAPE



A-A Section



B-B Section



Document no.: S8-V-3929.01-005 (4)  
 Created - Date: 04. Feb. 2010



## **Disclaimer**

ALL PRODUCT, PRODUCT SPECIFICATIONS AND DATA ARE SUBJECT TO CHANGE WITHOUT NOTICE TO IMPROVE RELIABILITY, FUNCTION OR DESIGN OR OTHERWISE.

Vishay Intertechnology, Inc., its affiliates, agents, and employees, and all persons acting on its or their behalf (collectively, "Vishay"), disclaim any and all liability for any errors, inaccuracies or incompleteness contained in any datasheet or in any other disclosure relating to any product.

Vishay makes no warranty, representation or guarantee regarding the suitability of the products for any particular purpose or the continuing production of any product. To the maximum extent permitted by applicable law, Vishay disclaims (i) any and all liability arising out of the application or use of any product, (ii) any and all liability, including without limitation special, consequential or incidental damages, and (iii) any and all implied warranties, including warranties of fitness for particular purpose, non-infringement and merchantability.

Statements regarding the suitability of products for certain types of applications are based on Vishay's knowledge of typical requirements that are often placed on Vishay products in generic applications. Such statements are not binding statements about the suitability of products for a particular application. It is the customer's responsibility to validate that a particular product with the properties described in the product specification is suitable for use in a particular application. Parameters provided in datasheets and / or specifications may vary in different applications and performance may vary over time. All operating parameters, including typical parameters, must be validated for each customer application by the customer's technical experts. Product specifications do not expand or otherwise modify Vishay's terms and conditions of purchase, including but not limited to the warranty expressed therein.

Hyperlinks included in this datasheet may direct users to third-party websites. These links are provided as a convenience and for informational purposes only. Inclusion of these hyperlinks does not constitute an endorsement or an approval by Vishay of any of the products, services or opinions of the corporation, organization or individual associated with the third-party website. Vishay disclaims any and all liability and bears no responsibility for the accuracy, legality or content of the third-party website or for that of subsequent links.

Vishay products are not designed for use in life-saving or life-sustaining applications or any application in which the failure of the Vishay product could result in personal injury or death unless specifically qualified in writing by Vishay. Customers using or selling Vishay products not expressly indicated for use in such applications do so at their own risk. Please contact authorized Vishay personnel to obtain written terms and conditions regarding products designed for such applications.

No license, express or implied, by estoppel or otherwise, to any intellectual property rights is granted by this document or by any conduct of Vishay. Product names and markings noted herein may be trademarks of their respective owners.