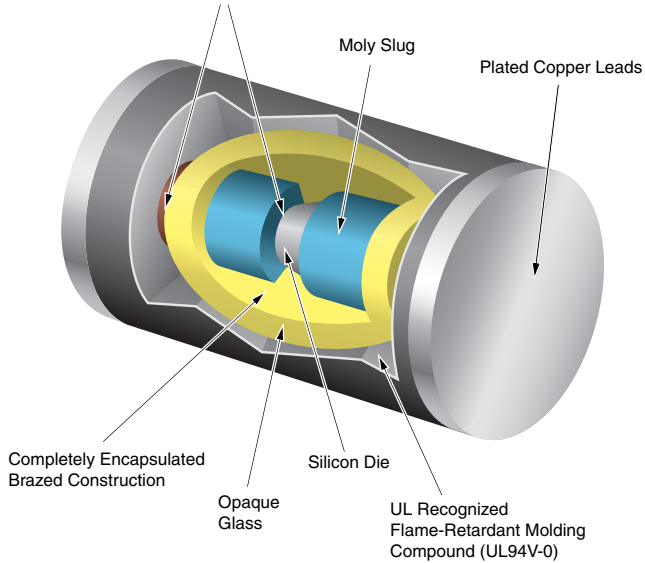




Cross Sections of SUPERECTIFIER® Construction

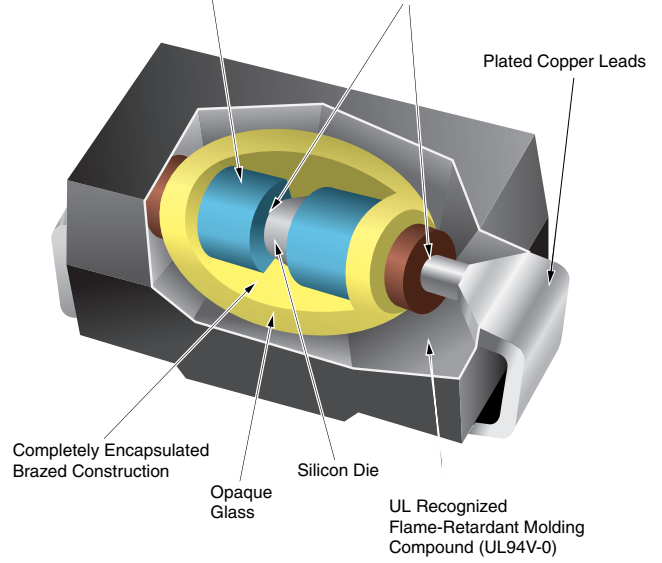
SUPERECTIFIERS (GL/RGL/EGL)

Solid Brazing, Low Resistance.
Excellent Surge Capabilities,
Brazed Temperature > 600 °C



SUPERECTIFIERS (GF1/RGF1/EGF1)

Solid Brazing, Low Resistance,
Excellent Surge Capabilities,
Brazed Temperature > 600 °C



SUPERECTIFIERS (GP/RGP/EGP)

Solid Brazing, Low Resistance.
Excellent Surge Capabilities,
Brazed Temperature > 600 °C

