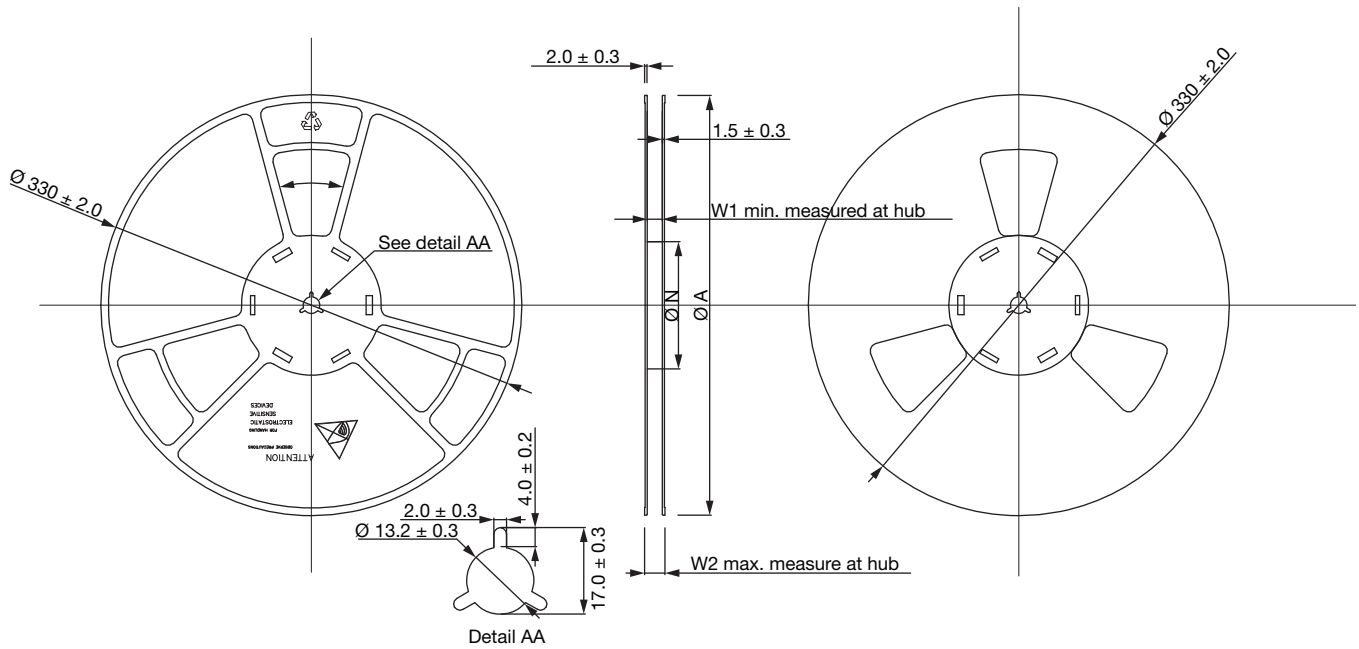




# 13" Reel for High Voltage DPAK (TO-252)



DIMENSIONS in millimeters				
TYPE WIDTH	Ø A	Ø N	W1 (min.)	W2 (max.)
16	330 ± 2.0	100 ± 1.0	16.4	23.4
ECN: S23-0098-Rev. A, 20-Feb-2023 DWG: 90-2439-X				