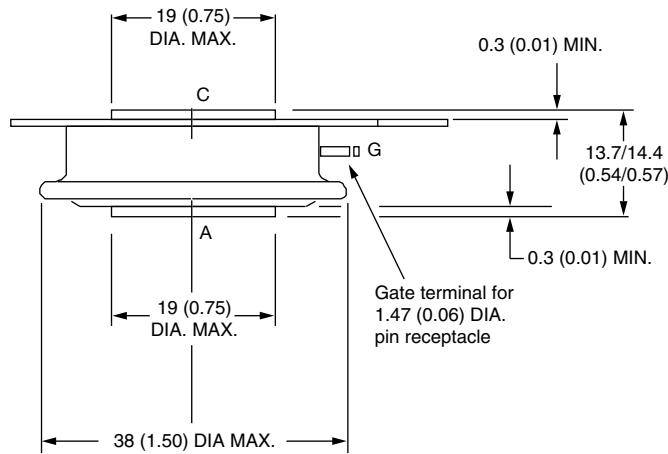




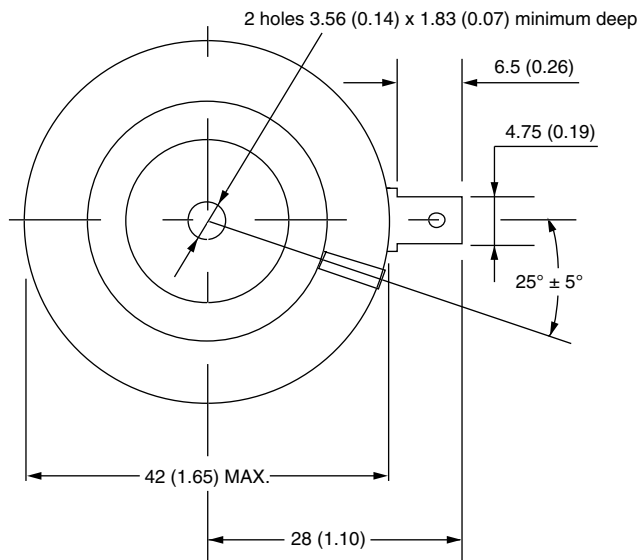
### A-PUK (TO-200AB)

**DIMENSIONS** in millimeters (inches)

Anode to gate  
Creepage distance: 7.62 (0.30) minimum  
Strike distance: 7.12 (0.28) minimum



**Note:**  
 A = Anode  
 C = Cathode  
 G = Gate



Quote between upper and lower pole pieces has to be considered after application of mounting force (see thermal and mechanical specification)