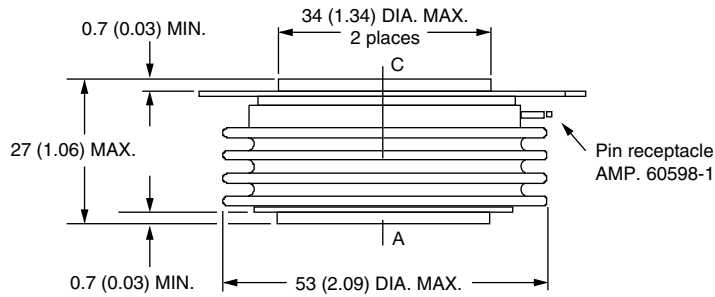




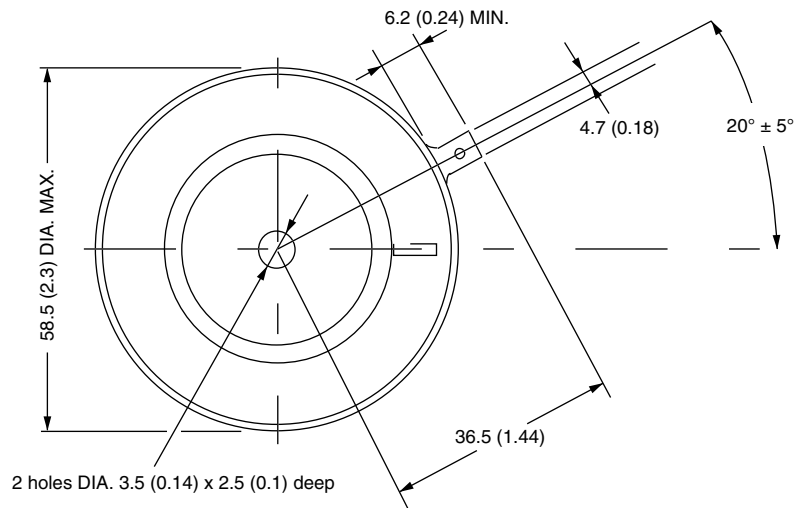
## B-PUK (TO-200AC)

**DIMENSIONS** in millimeters (inches)

Creepage distance: 36.33 (1.430) minimum  
Strike distance: 17.43 (0.686) minimum



**Note:**  
A = Anode  
C = Cathode



Quote between upper and lower pole pieces has to be considered after application of mounting force (see thermal and mechanical specification)