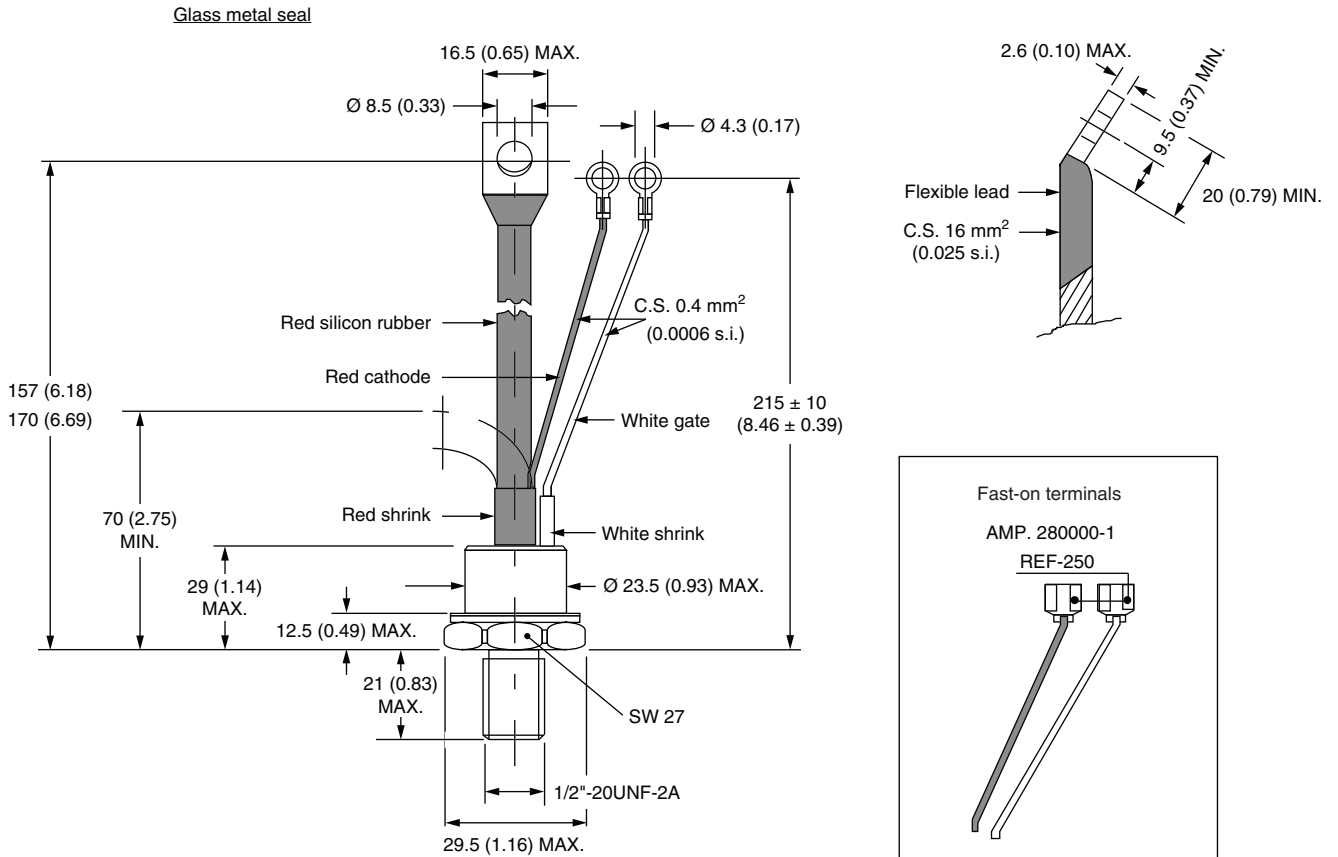


## TO-209AC (TO-94) for ST110S Series

**DIMENSIONS** in millimeters (inches)



# Outline Dimensions

Vishay Semiconductors TO-209AC (TO-94) for ST110S Series



**DIMENSIONS** in millimeters (inches)

