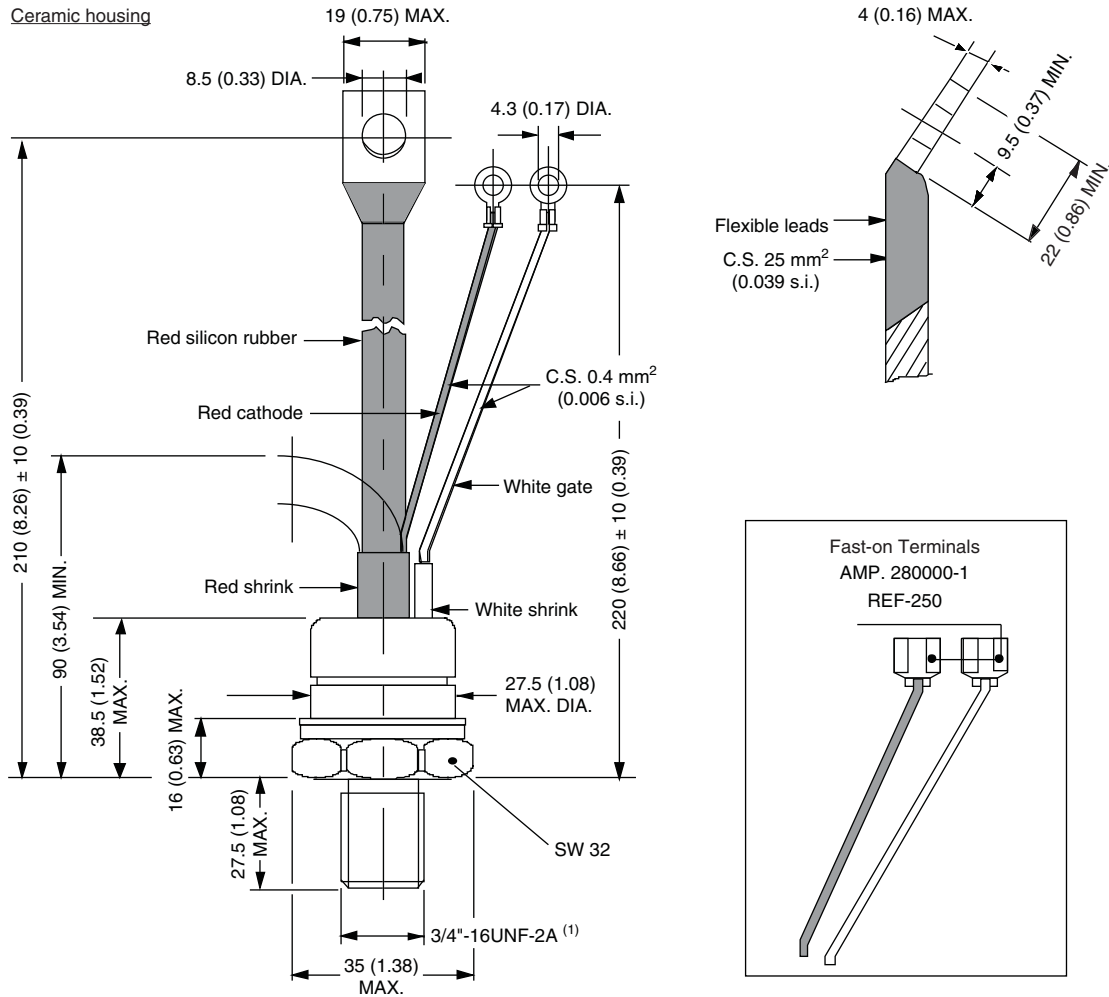


## TO-209AB (TO-93)

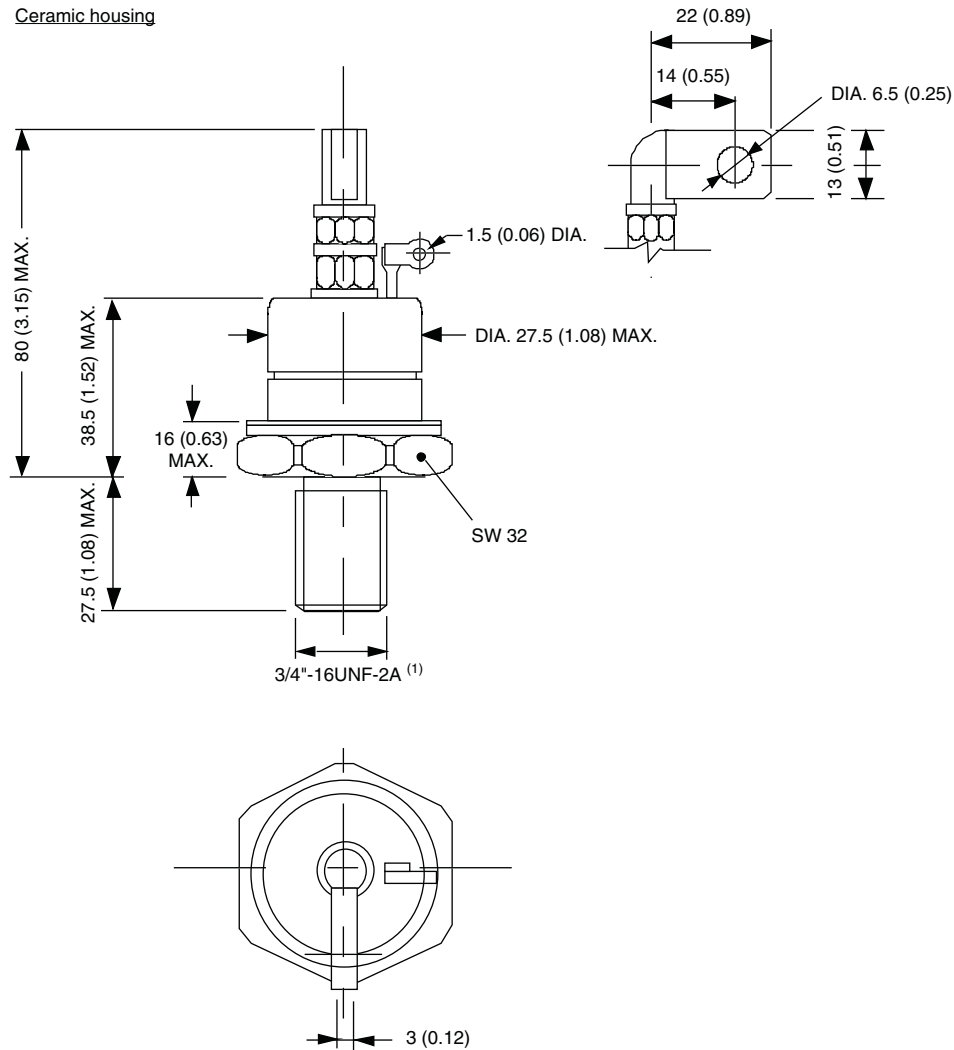
### DIMENSIONS - TO-209AB (TO-93) in millimeters (inches)



#### Note

(1) For metric device: M16 x 1.5 - length 21 (0.83) maximum

## DIMENSIONS - TO-209AB (TO-93) FLAG TERMINALS in millimeters (inches)



### Note

<sup>(2)</sup> For metric device: M16 x 1.5 - length 21 (0.83) maximum