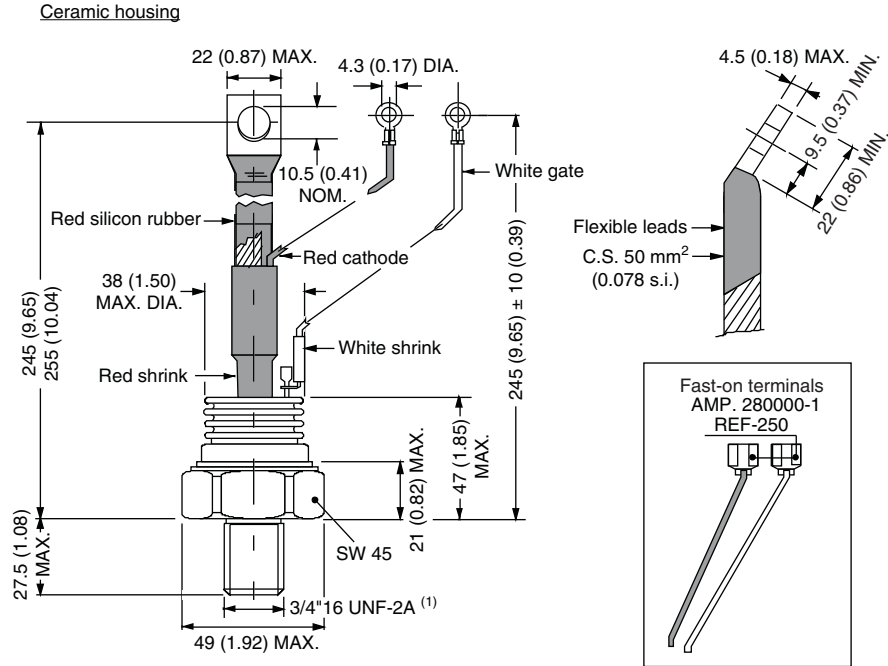


## TO-209AE (TO-118)

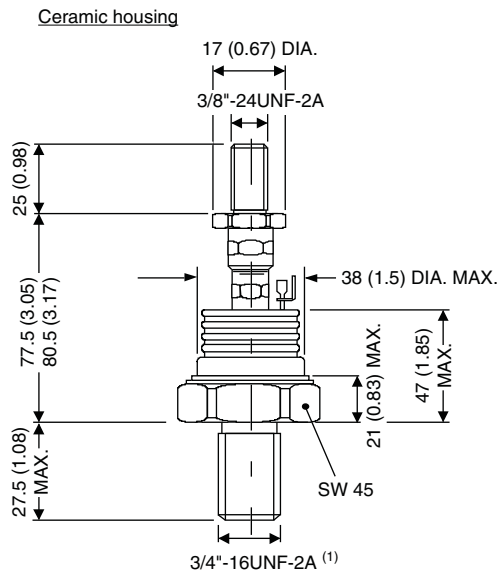
### DIMENSIONS - TO-209AE (TO-118) in millimeters (inches)



**Note**

(1) For metric device: M24 x 1.5 - length screw 21 (0.83) maximum

### DIMENSIONS - TO-209AE (TO-118) WITH TOP THREAD TERMINAL 3/8" in millimeters (inches)



**Note**

(1) For metric device: M24 x 1.5 - length screw 21 (0.83) maximum