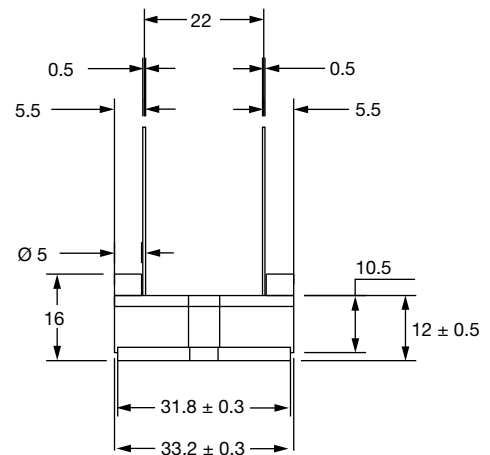
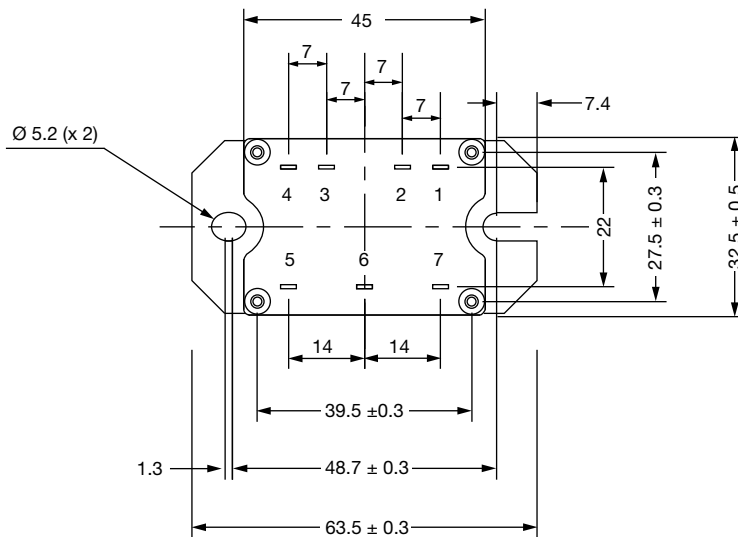
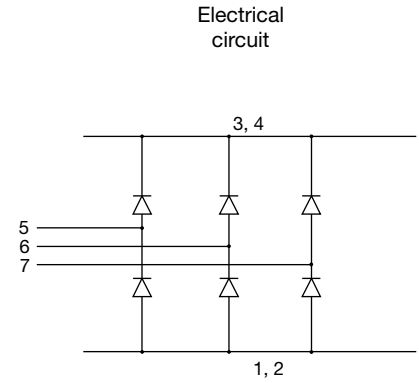
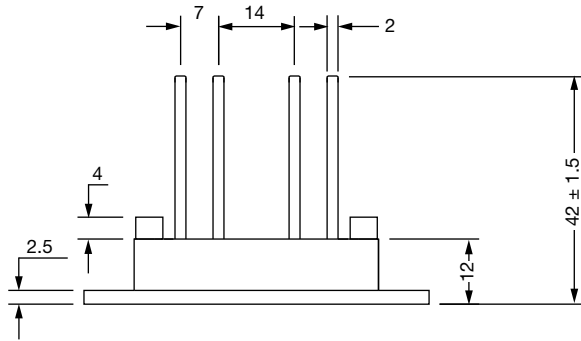




MTP Flat and Round Pin

DIMENSIONS FOR MTP WITH FLAT PIN in millimeters



Tolerance (unless other stated):

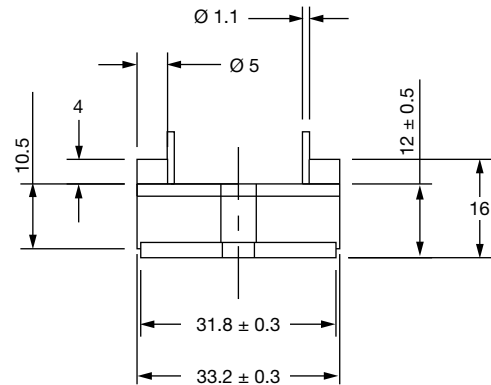
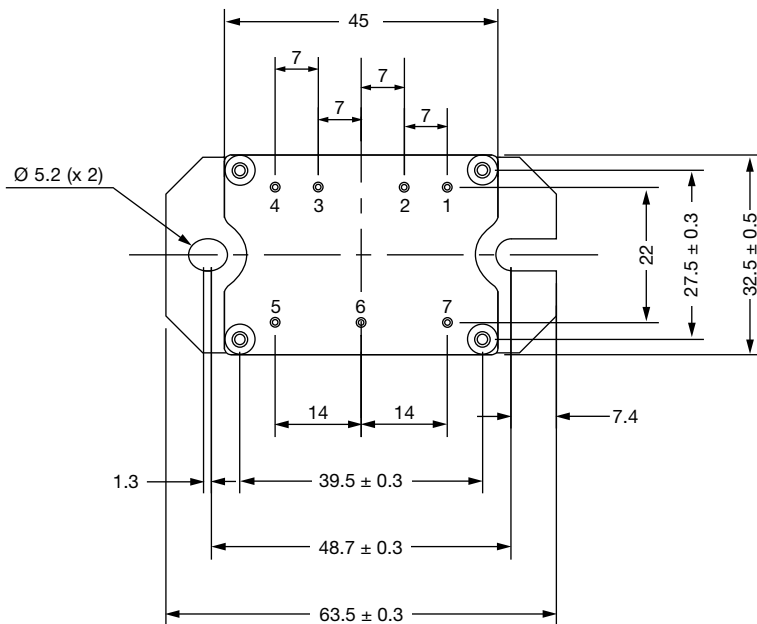
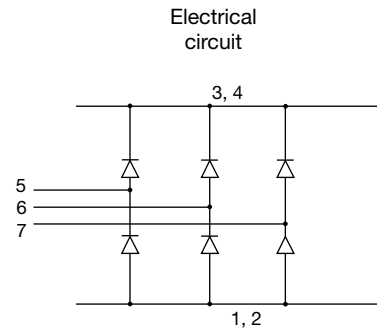
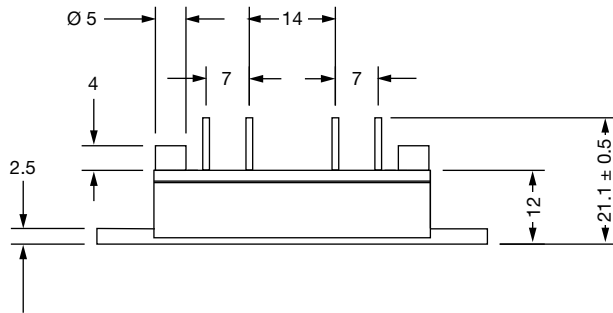
X = ± 0.3

X.X = ± 0.1

X.XX = ± 0.03



DIMENSIONS FOR MTP WITH ROUND PIN in millimeters



Tolerance (unless other stated):

X = ± 0.3

X.X = ± 0.1

X.XX = ± 0.03