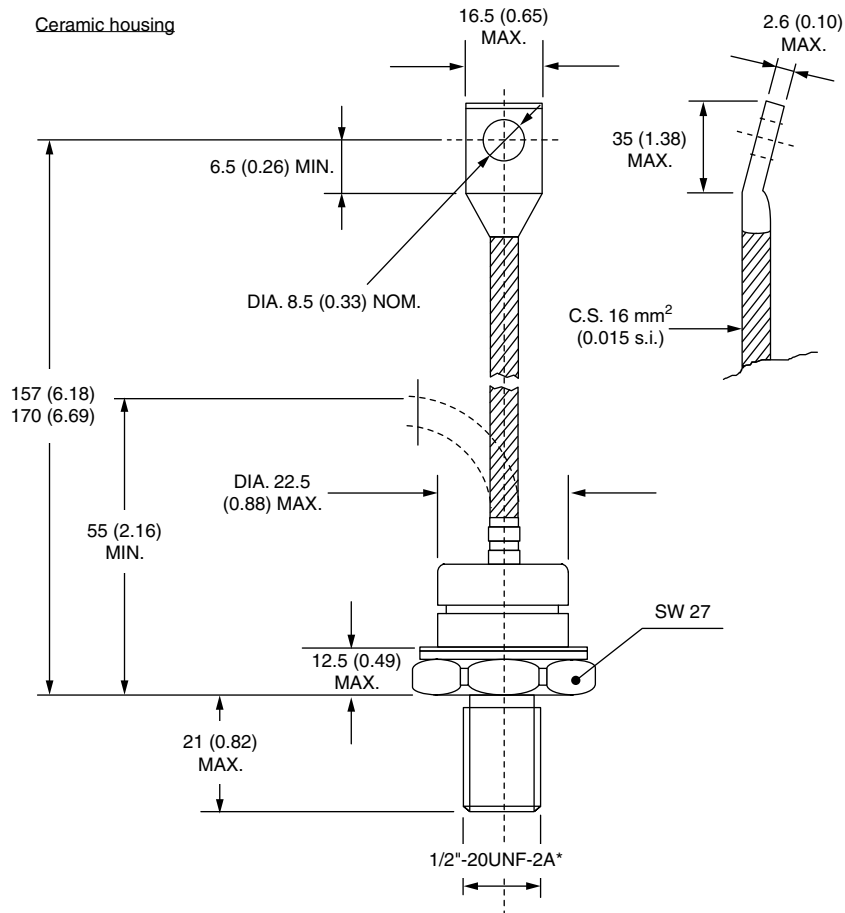


DO-205AC (DO-30)

DIMENSIONS in millimeters (inches)



*For metric device: M12 x 1.75 contact factory