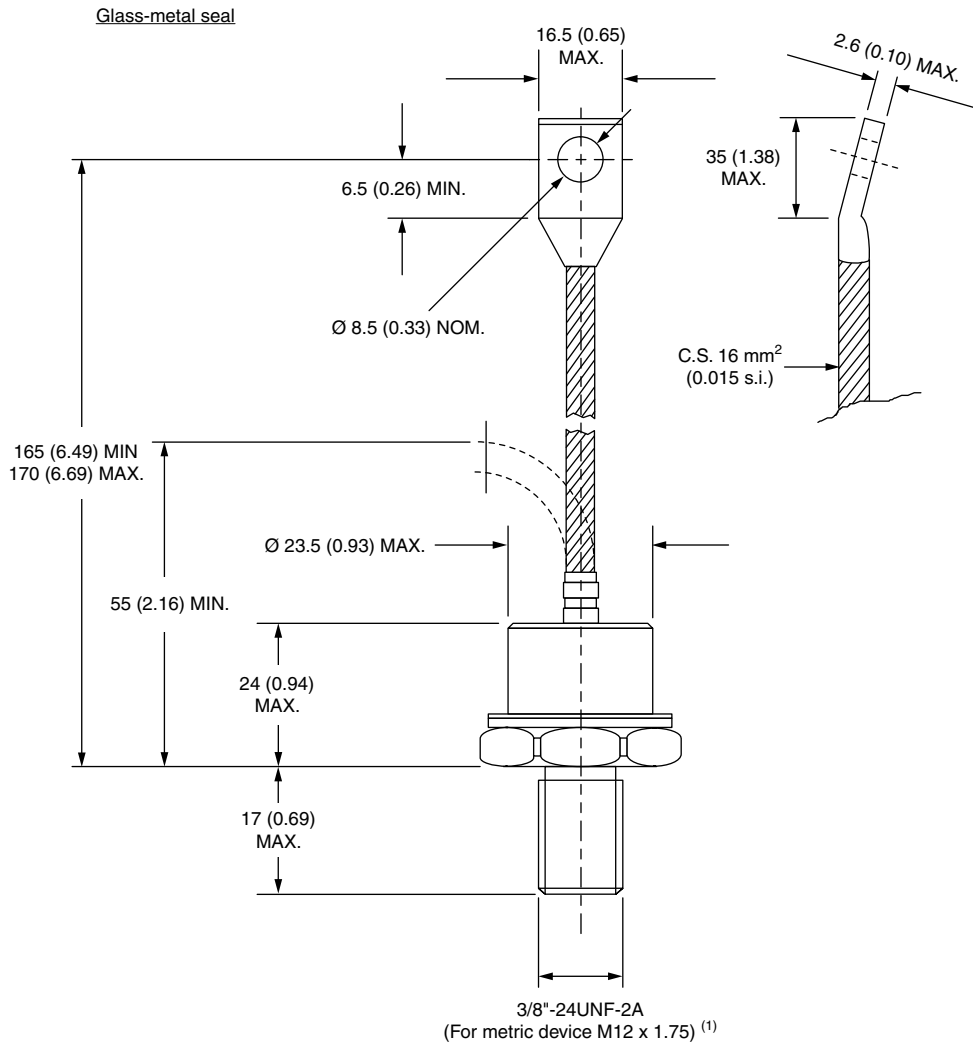


## DO-205AA (DO-8) for 150U(R) Series

**DIMENSIONS** in millimeters (inches)



**Note**

<sup>(1)</sup> For stud base 1/2"-20UNF-2A threads; refer to "Ordering Information Table"