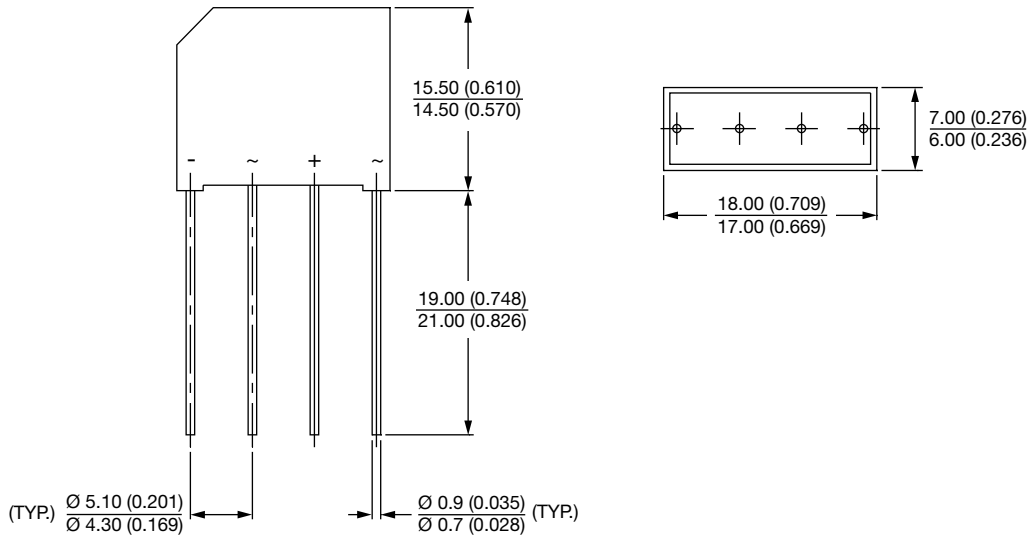




2KBB

DIMENSIONS in millimeters (mils)



Note

- For PIN configuration - ~ ~ + add "R" to end of part number