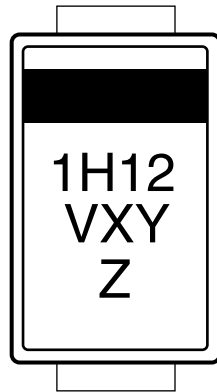


## SMA, SMB, SMC, Fred Pt®

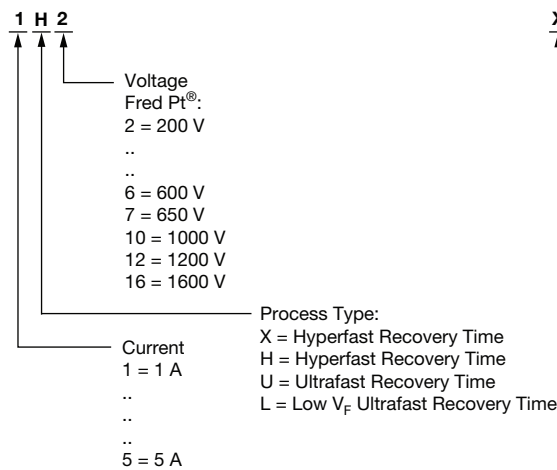


← Cathode band  
 ← Type code  
 ← Date code  
 ← Environmental digit code

**Note:**  
 • Cathode band: marked with one or more lines

ENVIRONMENTAL NAMING CODE	PRODUCT DEFINITION
A	Termination lead (Pb)-free
B	Totally lead (Pb)-free
E	RoHS compliant + termination lead (Pb)-free
F	RoHS compliant + totally lead (Pb)-free
M	Halogen-free + RoHS compliant + termination lead (Pb)-free
N	Halogen-free + RoHS compliant + totally lead (Pb)-free
G	Green

### Type Code



### Date Code

